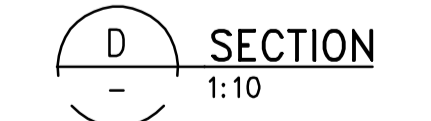
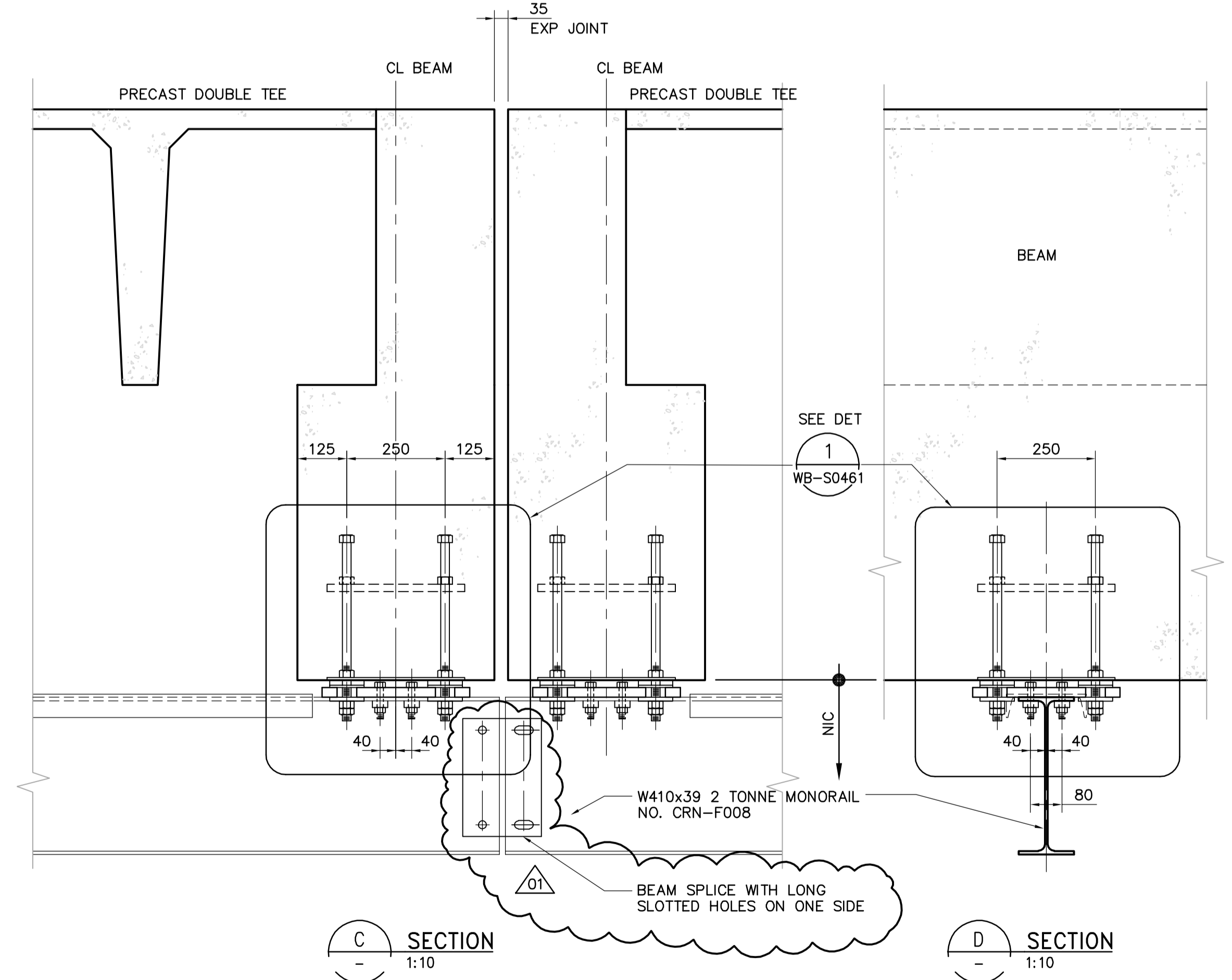
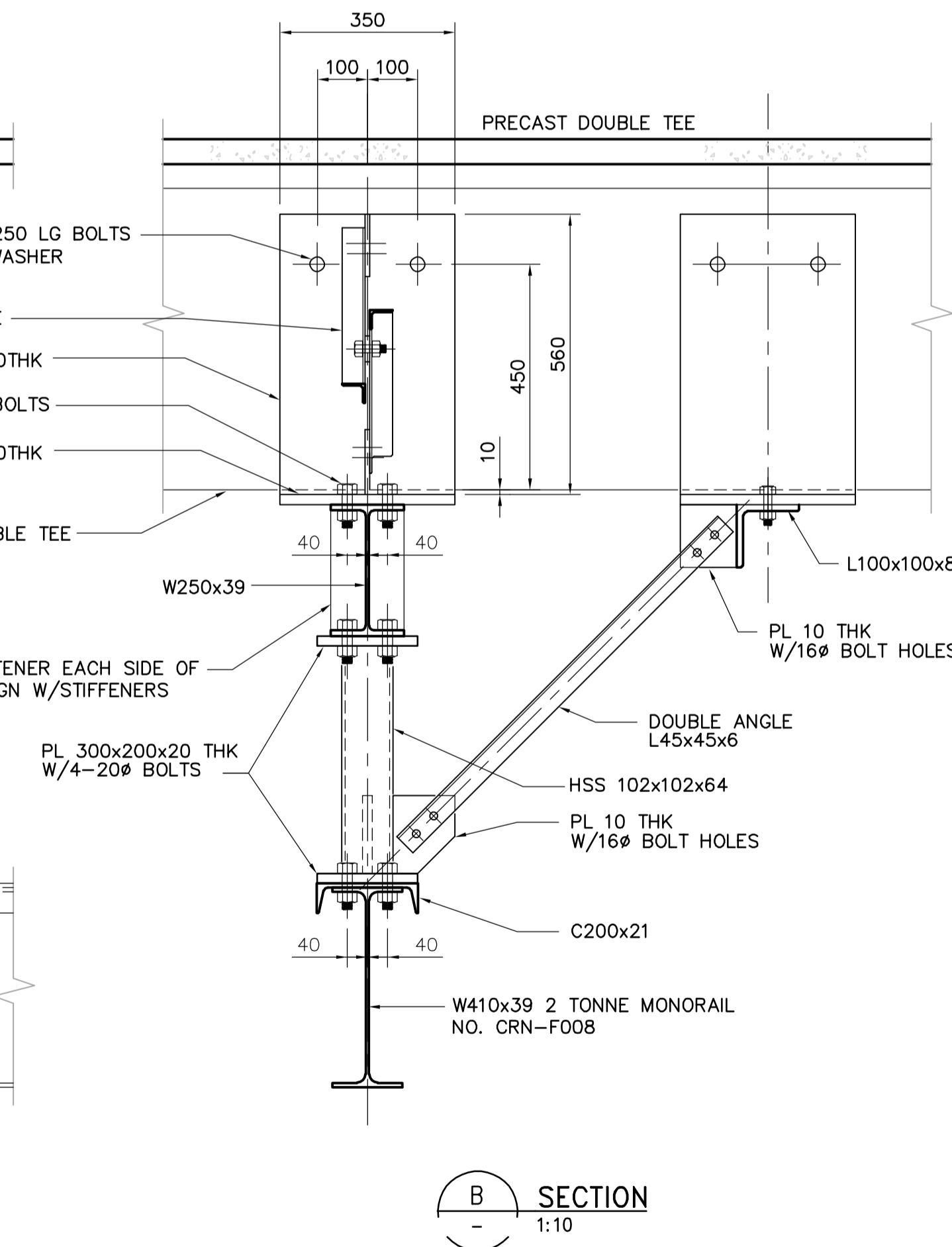
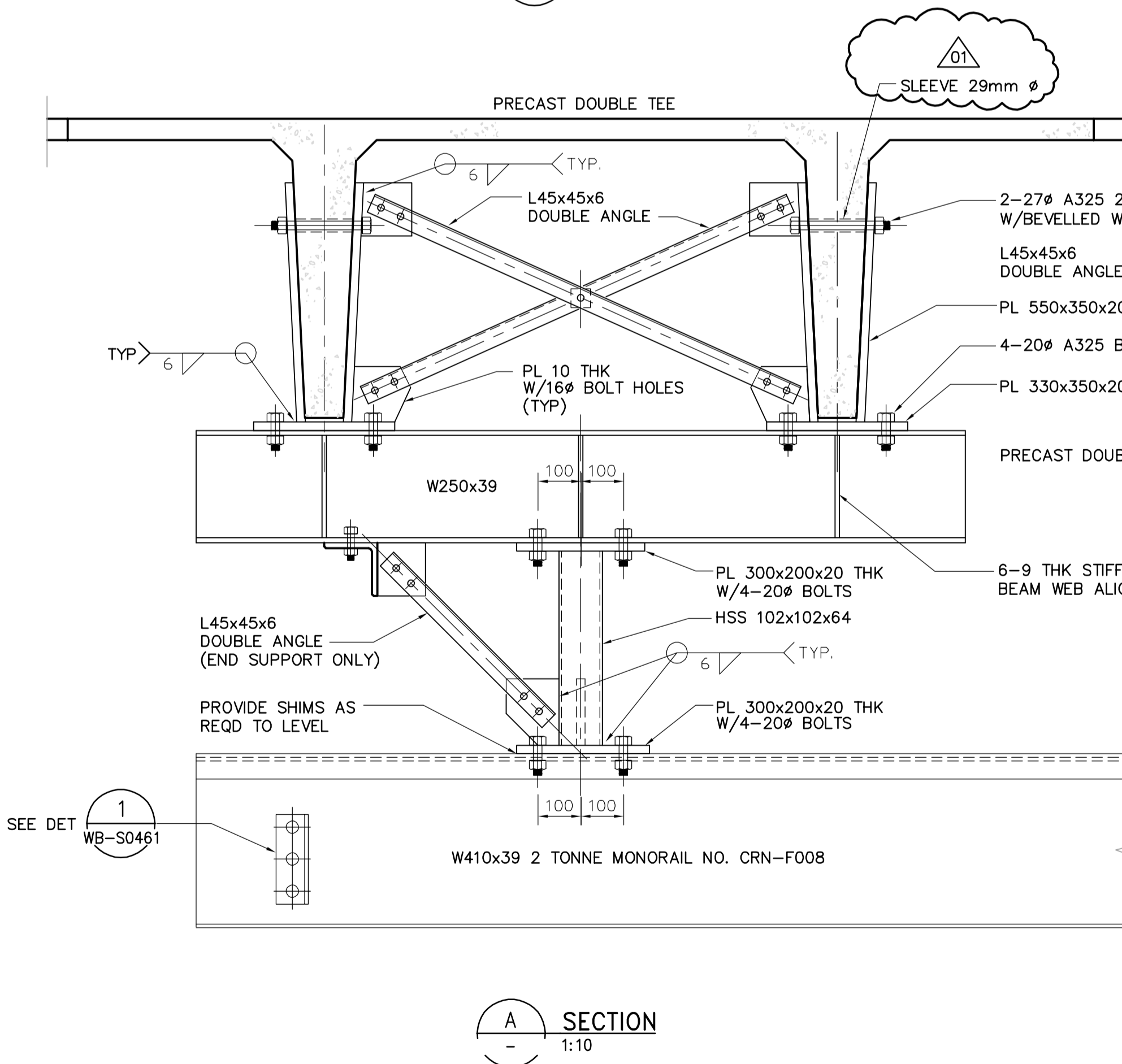


NOTES:

- ALL STEEL EXCEPT EMBEDDED ITEMS PER IS FOR INFORMATION ONLY (NIC)
- SLEEVES LOCATED IN DOUBLE TEE STEMS ARE PART OF THIS CONTRACT.



NO.	REVISIONS	DATE	BY
01	583-2005 ADDENDUM 3	06/03/10	KA
00	ISSUED FOR TENDER	2006/02/03	KA

CH2MHILL Frederickson Cooper ARCHITECTS		EarthTech A Tyco International Ltd. Company	
DESIGNED BY	KA	CHECKED BY	AP
DRAWN BY	PM	APPROVED BY	DJT
SCALE:	1:10	RELEASED FOR CONSTRUCTION BY:	R. SOROKOWSKI
DATE	2005/12/17	DATE	2006/02/08

ENGINEER'S SEAL
ORIGINAL SIGNED BY
D. KRUGER
2006/02/06
CONSULTANT DRAWING NO.
WF-S0405

THE CITY OF WINNIPEG
WATER AND WASTE DEPARTMENT
ENGINEERING DIVISION

WATER TREATMENT PLANT
FILTRATION
FOUNDATIONS AND CONCRETE STRUCTURES

STRUCTURAL
FILTRATION AREA
DETAILS

CITY FILE NUMBER
SHEET OF
CITY DRAWING NUMBER
1-060F-A-50405-001-0D