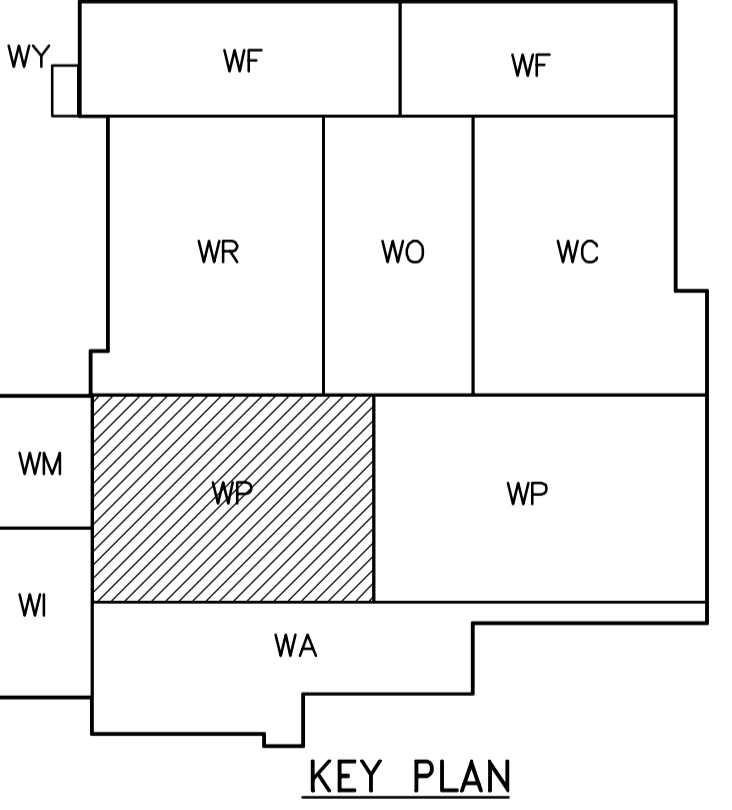
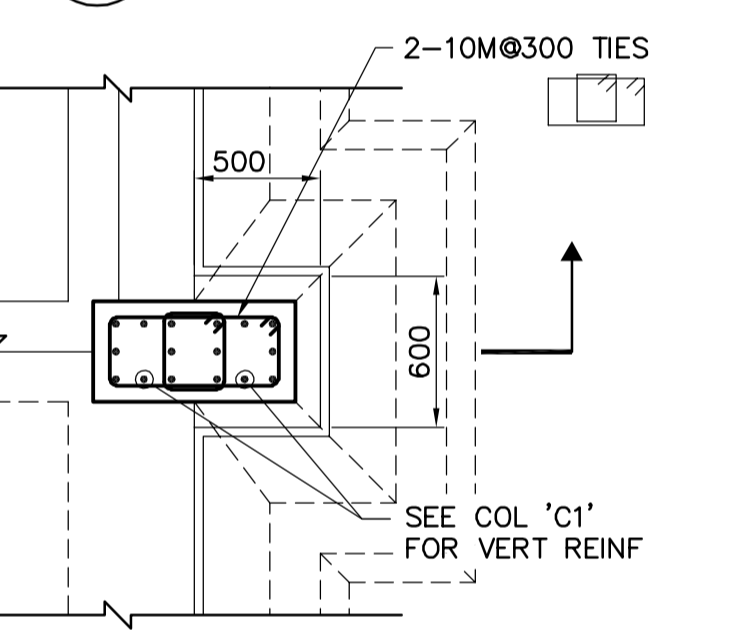
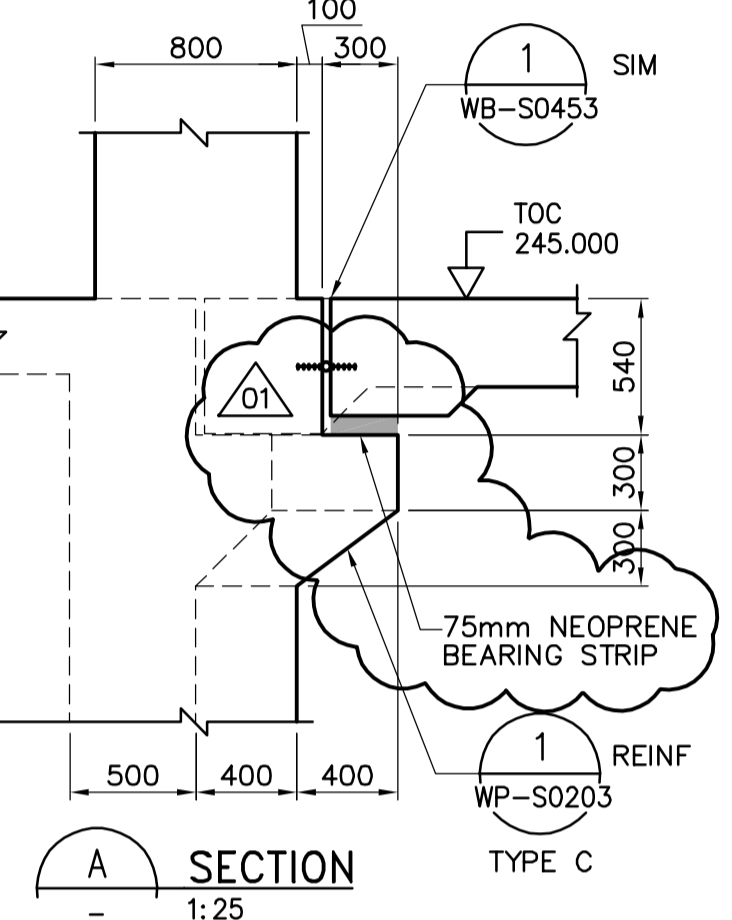
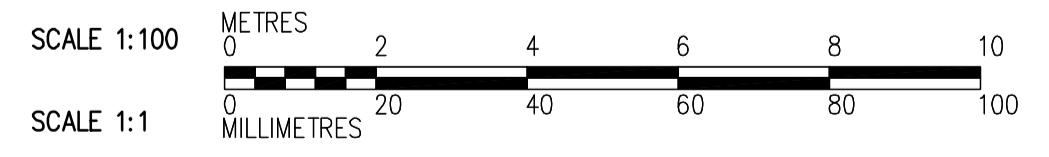


NOTES:
 1. FOR BEAM AND COLUMN SCHEDULE SEE DWG WP-S0515.
 NOT IN CONTRACT

REBAR LEGEND:
 ——— TOP BARS
 - - - - - BOTTOM BARS



THIRD FLOOR PLAN
 1:100



<p>APEGN Certificate of Authorization CH2M HILL Canada Ltd. No. 1441 Expiry: April 30, 2006</p>	<p>Frederickson Cooper ARCHITECTS</p>		<p>EarthTech A Tyco International Ltd. Company</p>		ENGINEER'S SEAL ORIGINAL SIGNED BY D. KRUGER 2006/02/06 CONSULTANT DRAWING NO. WP-S0131	<p>THE CITY OF WINNIPEG WATER AND WASTE DEPARTMENT ENGINEERING DIVISION</p> <p>WATER TREATMENT PLANT FLOCCULATION AND DAF FOUNDATIONS AND CONCRETE STRUCTURES</p> <p>STRUCTURAL FLOC/DAF AREA 1 THIRD FLOOR PLAN</p>	CITY FILE NUMBER SHEET OF CITY DRAWING NUMBER 1-060P-A-5031-001-0D
	DESIGNED BY: RZ DRAWN BY: RL SCALE: 1:100	CHECKED BY: AP APPROVED BY: DJT RELEASED FOR CONSTRUCTION BY: R. SOROKOWSKI	NO. REVISIONS 01 583-2005 ADDENDUM 3 06/03/10 RZ 00 ISSUED FOR TENDER 2006/02/03 RZ DATE 2005/06/28 DATE 2006/02/08		FOR REINF SEE SLAB AT LEFT 200(W) x 200(H) CONC CURB AROUND OPNGS, SEE 5 WB-S0456		
	B.M. ELEV.		WALL BELOW, TYP 245.000		OPNG REINF 2 WB-S0451 TYP		
	SEE SECTION A FOR TYP CANTILEVER REINF		SEE SECTION A WP-S0201 FOR TYP CANTILEVER REINF		200(W) x 200(H) CONC CURB AROUND OPNGS, SEE 5 WB-S0456		