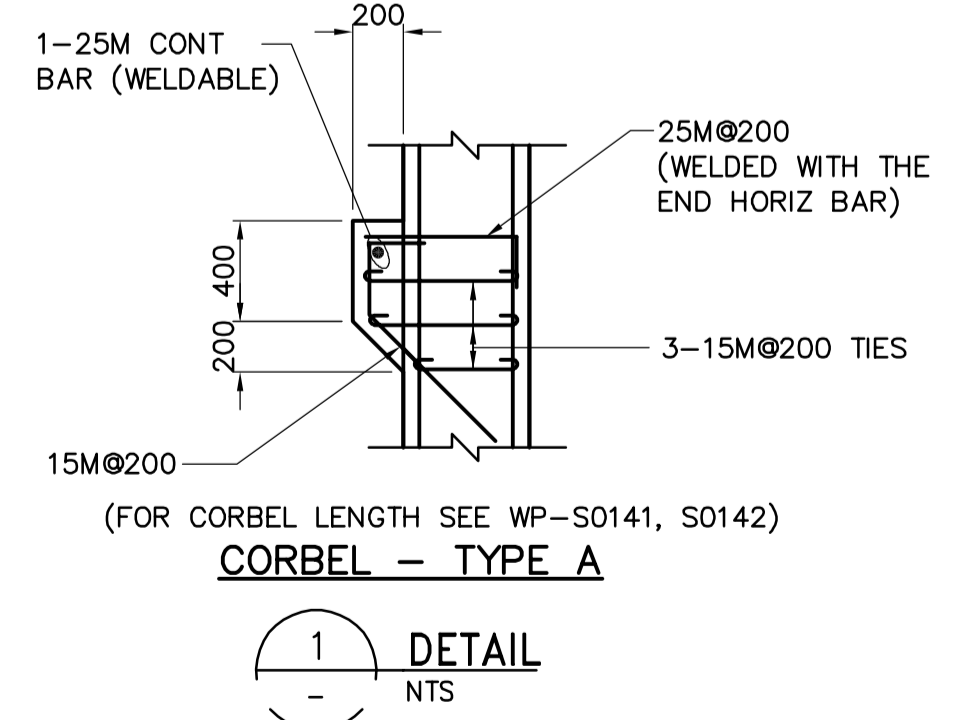
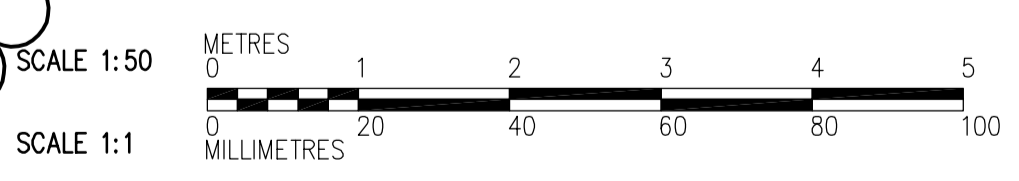


- NOTES:**
- SEE DWGS WP-S0111 TO WP-S0132 FOR SLAB REINFORCING AND WALL ADDITIONAL REBARS, UNO.
 - SEE DWG WP-S0515 FOR BEAM AND COLUMN SCHEDULES.
 - PROVIDE TEMPORARY WALL BRACING FOR BACKFILLING. DO NOT REMOVE BRACING UNTIL SLAB CONCRETE @ EL 239.09 TO EL 240.55 ATTAINS 28 DAY STRENGTH. THIS APPLIES FOR ALL SIMILAR WALLS BELOW EL 239.950 IN FLOC/DAF AREA.
 - FOR FOUNDATION WALL WATERPROOFING AND INSULATION REFER TO **3** WP-S0461
- PROVIDE INSULATION AT EXTERIOR WALLS. PROVIDE WATERPROOFING AT WALLS BETWEEN COMMON BACKFILL AND GALLERIES AND CORRIDORS.
- * ADDITIONAL BARS WITH FULL EMBEDMENT LENGTH INTO THE INTERSECTING WALLS.



A SECTION
WP-S0111 1:50
WP-S0121, WP-S0131
WP-S0141, WP-S0146, WP-F0105

J SECTION (SIMILAR REINF)
WP-S0112 1:50
WP-S0122, WP-S0132
WP-S0142, WP-S0147, WP-F0106

1 DETAIL
NTS

<p>Certificate of Authorization CH2M HILL Canada Ltd. No. 1441 Expiry: April 30, 2006</p>	<p>Frederickson Cooper ARCHITECTS</p>		<p>A Tetra International Ltd. Company</p>		ENGINEER'S SEAL ORIGINAL SIGNED BY D. KRUGER 2006/02/06 CONSULTANT DRAWING NO. WP-S0201	<p>THE CITY OF WINNIPEG WATER AND WASTE DEPARTMENT ENGINEERING DIVISION</p> <p>WATER TREATMENT PLANT FLOCCULATION AND DAF FOUNDATIONS AND CONCRETE STRUCTURES</p> <p>STRUCTURAL FLOC/DAF AREA 1 SECTION</p>	CITY FILE NUMBER SHEET OF CITY DRAWING NUMBER 1-060P-A-0201-01-0D
	DESIGNED BY: RZ CHECKED BY: AP DRAWN BY: RL APPROVED BY: DJT		SCALE: 1:50 RELEASED FOR CONSTRUCTION BY: R. SOROKOWSKI		DATE: 2005/07/27 DATE: 2006/02/08		
	NO. REVISIONS 01 583-2005 ADDENDUM 3 06/03/10 RZ 00 ISSUED FOR TENDER 2006/02/03 RZ		DATE BY DATE DATE		DATE: 2005/07/27 DATE: 2006/02/08		
	B.M. ELEV.		B.M. ELEV.		DATE: 2005/07/27 DATE: 2006/02/08		