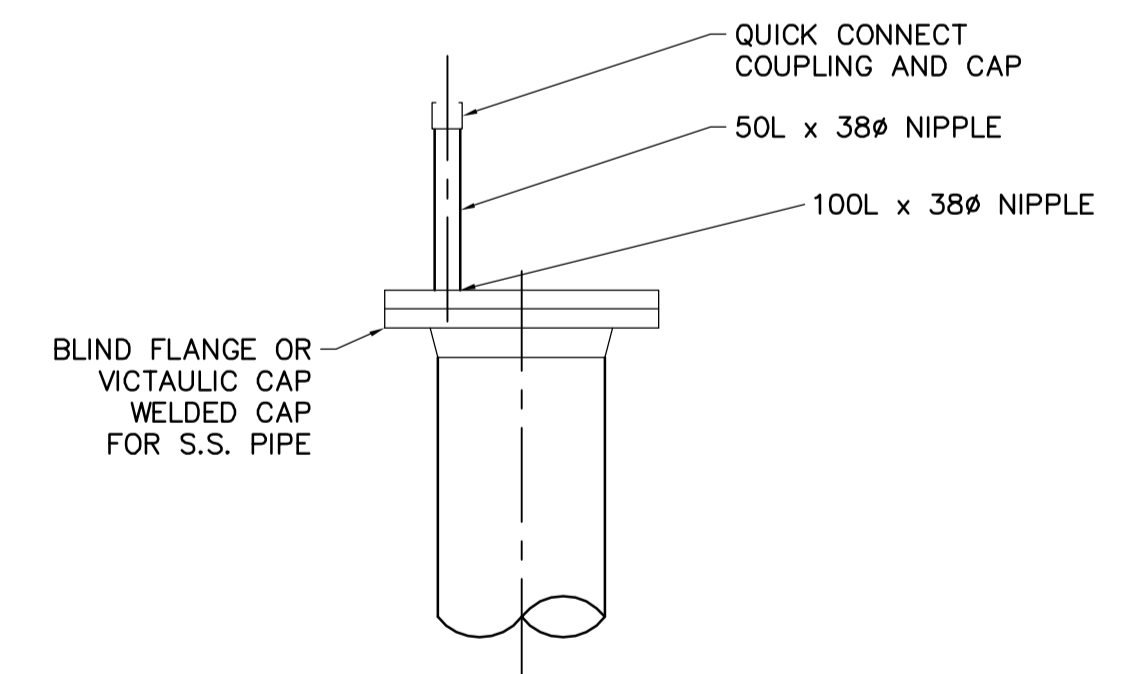
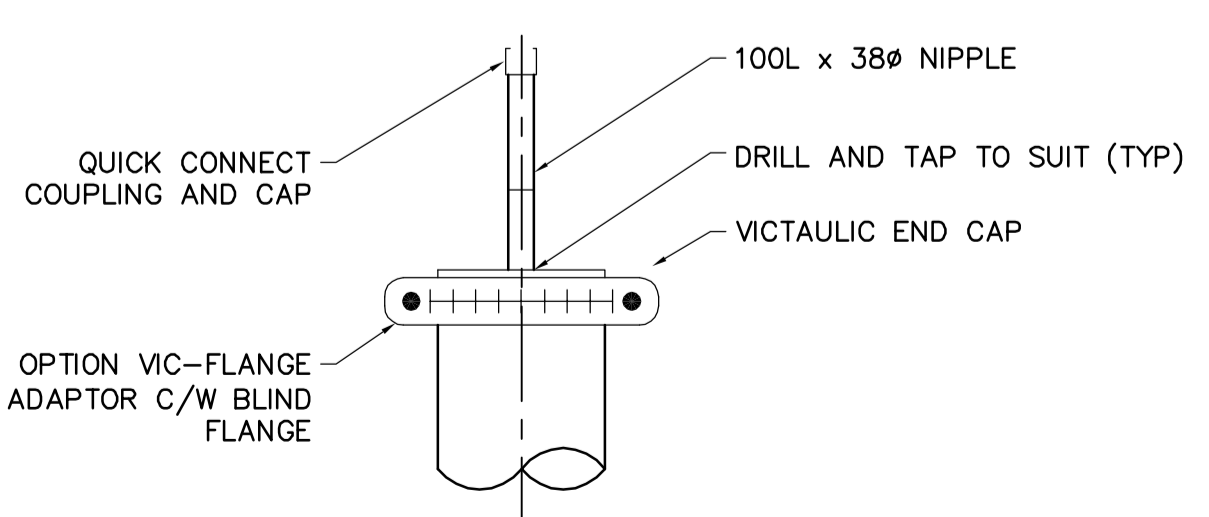


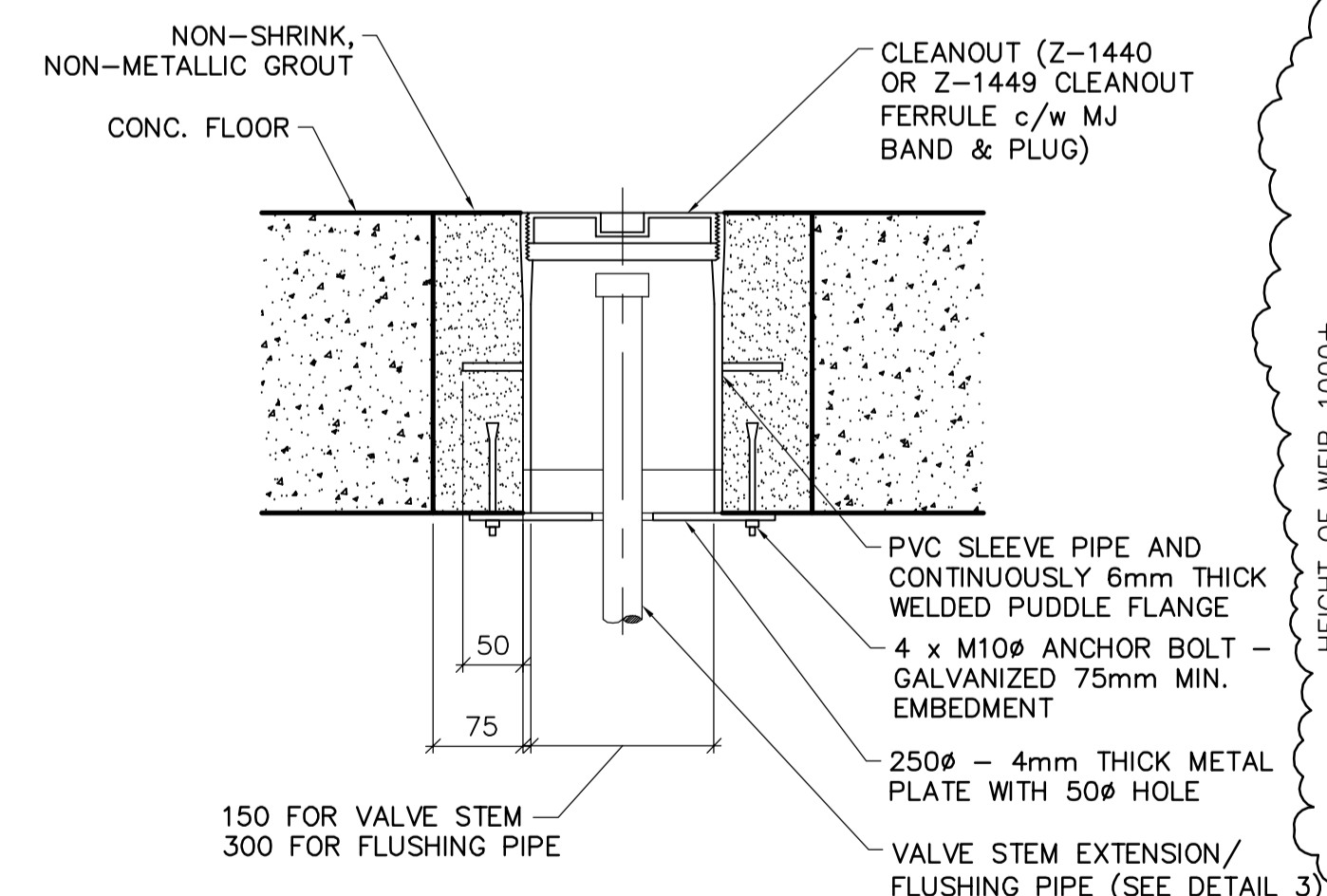
A SECTION
WR-M0101 1:50



FLUSHING CONNECTION "WELDED"

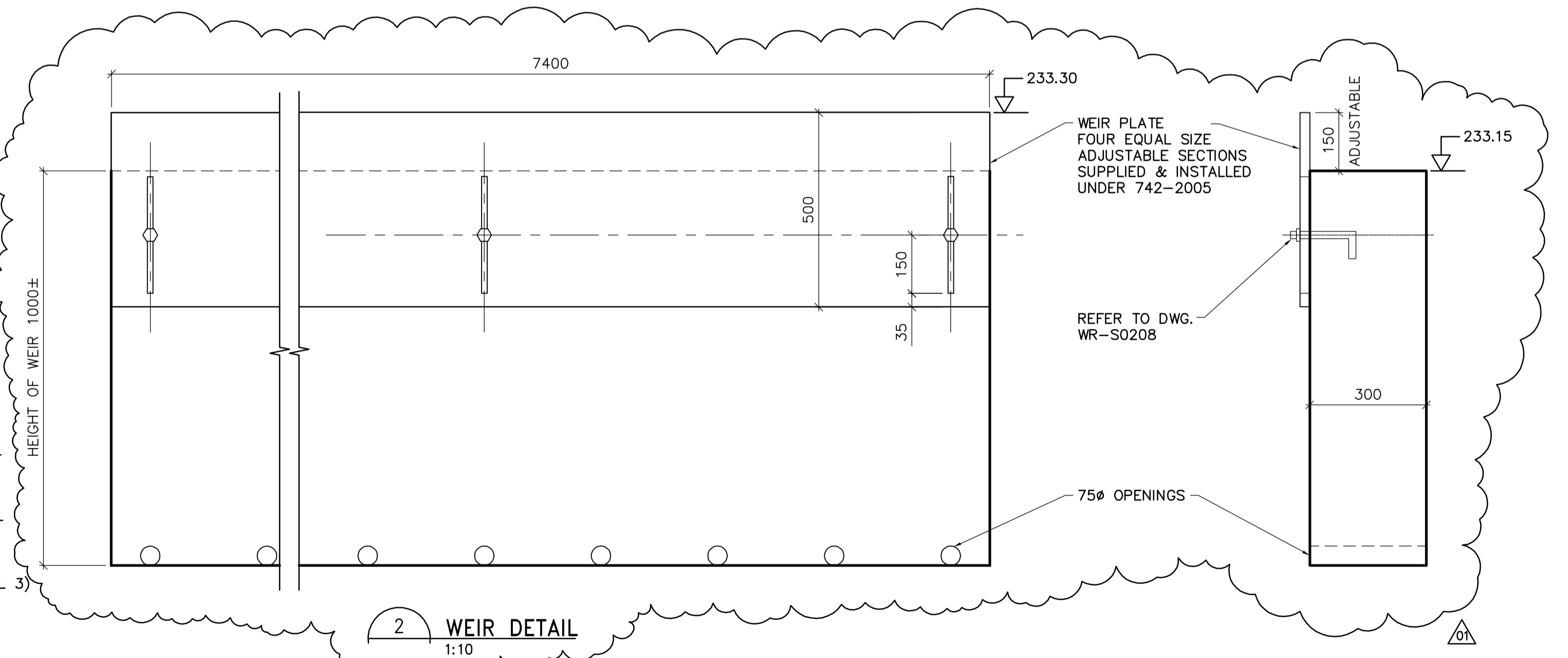


3 FLUSHING CONNECTION
NTS



1 SERVICE BOX DETAIL
NTS

NOTE
VALVE STEM AND FLUSHING PIPE
SUPPLIED BY OTHERS



2 WEIR DETAIL
1:10

 Certificate of Authorization Earth Tech Canada Inc. No. 730 Expiry: April 30, 2006	B.M. ELEV.	 Frederickson Cooper ARCHITECTS	 A Tech International Ltd. Company	ENGINEER'S SEAL	 THE CITY OF WINNIPEG WATER AND WASTE DEPARTMENT ENGINEERING DIVISION	CITY FILE NUMBER
	DESIGNED BY: SM			CHECKED BY: SRB		ORIGINAL SIGNED BY: S.R. BILEVICIUS
	DRAWN BY: JBC	APPROVED BY: DJT	2006/02/07	WATER TREATMENT PLANT RESIDUALS HANDLING FOUNDATIONS AND CONCRETE STRUCTURES		CITY DRAWING NUMBER
	SCALE: AS NOTED	RELEASED FOR CONSTRUCTION BY: R. SOROKOWSKI	CONSULTANT DRAWING NO. WR-M9201	PIPE EMBEDS SECTIONS		1-0601R-A-M9201-001-01D
NO. REVISIONS	DATE BY	DATE	DATE			
01	583-2005 ADDENDUM 3	06/03/10	GLG	2005/09/60	2006/02/07	
00	ISSUED FOR TENDER	06/02/03	JBC			