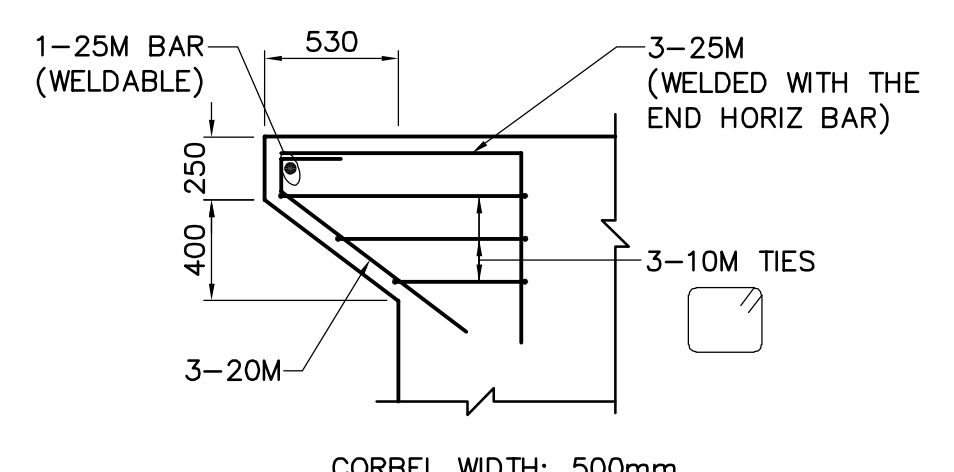
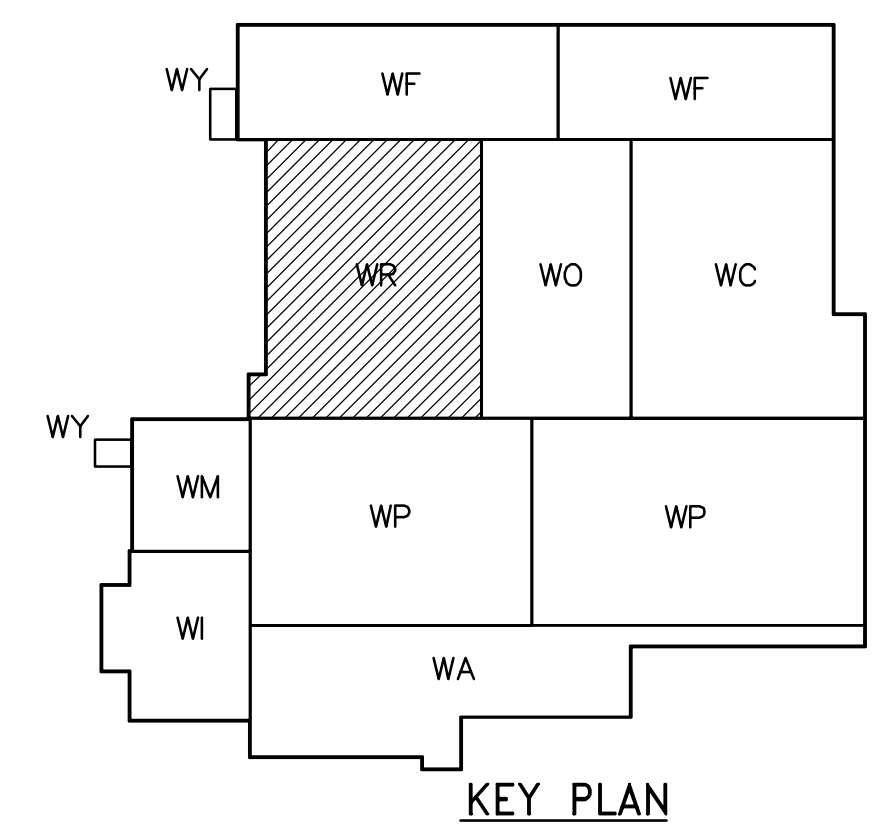


10mm THICK S.S. 316 PLATE C/W NELSON STUDS 160 @ 300 O/C EW. 75mm VENT HOLES @ 900 EW. SPECIAL ATTENTION FOR POURING CONCRETE. CONCRETE HAS TO COME OUT THROUGH HOLES. CLOSE HOLES WITH SAME KIND OF PLATE BY WELDING. (4 PLACES)

- NOTES:**
- TYPICAL CORNER AND INTERSECTING REINFORCING, SEE 4 FOR ADDITIONAL INFORMATION.
WB-S0452
 - FOR ADDITIONAL REINFORCING REQUIRED AROUND OPENINGS, SEE 2 TYP.
WB-S0451
 - FOR REINFORCING DETAIL REQUIREMENTS, SEE GENERAL NOTES.
 - WALL CONSTRUCTION JOINTS NOT SHOWN, FOR SPACING REQUIREMENTS SEE 1 AND 2. ADDITIONAL
WB-S0452 WB-S0452
 - HORIZ. CONSTRUCTION JOINT SEE 5
WB-S0452
 - SEE DRAWING WR-S0515 FOR COLUMN AND BEAM SCHEDULE.
 - SEE 2 FOR PIPE PENETRATIONS.
WB-S0451
 - ENCASE ALL PIPING UNDER BUILDING IN CONCRETE. SEE 1, 2, 4
WB-S0458 WB-S0458 WB-S0458

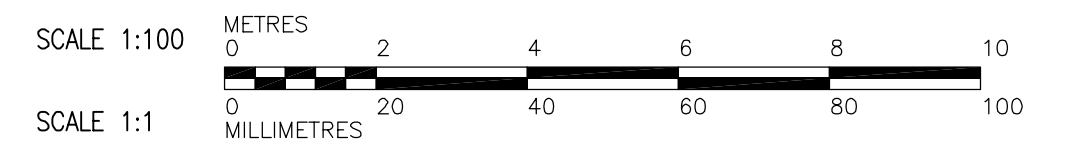


DETAIL 1 - CORBEL
N.T.S.



KEY PLAN

LOWER LEVEL PLAN
1:100



APECA
Certificate of Authorization
CH2M HILL Canada Ltd.
No. 1441 Expiry: April 30, 2006

B.M. ELEV.		CH2MHILL Frederickson Cooper ARCHITECTS		EarthTech A Tyco International Ltd. Company	
DESIGNED BY	MFC/MH	CHECKED BY	AP	ENGINEER'S SEAL	ORIGINAL SIGNED BY
DRAWN BY	DOC	APPROVED BY	DJT	D. KRUGER	2006/02/06
SCALE:	1:100	RELEASED FOR CONSTRUCTION BY:	R. SOROKOWSKI	CONSULTANT DRAWING NO.	WR-S0101
NO. REVISIONS	DATE	DATE	DATE	DATE	DATE
01	583-2005 ADDENDUM 3	06/03/10	MH	05/09/02	2006/02/08
00	ISSUED FOR TENDER	2006/02/03	MH		

THE CITY OF WINNIPEG
WATER AND WASTE DEPARTMENT
ENGINEERING DIVISION

WATER TREATMENT PLANT
RESIDUALS HANDLING
FOUNDATIONS AND CONCRETE STRUCTURES

STRUCTURAL
RESIDUALS HANDLING AREA
LOWER LEVEL PLAN

CITY FILE NUMBER
SHEET OF
CITY DRAWING NUMBER
1-060R-A-8001-001-0D