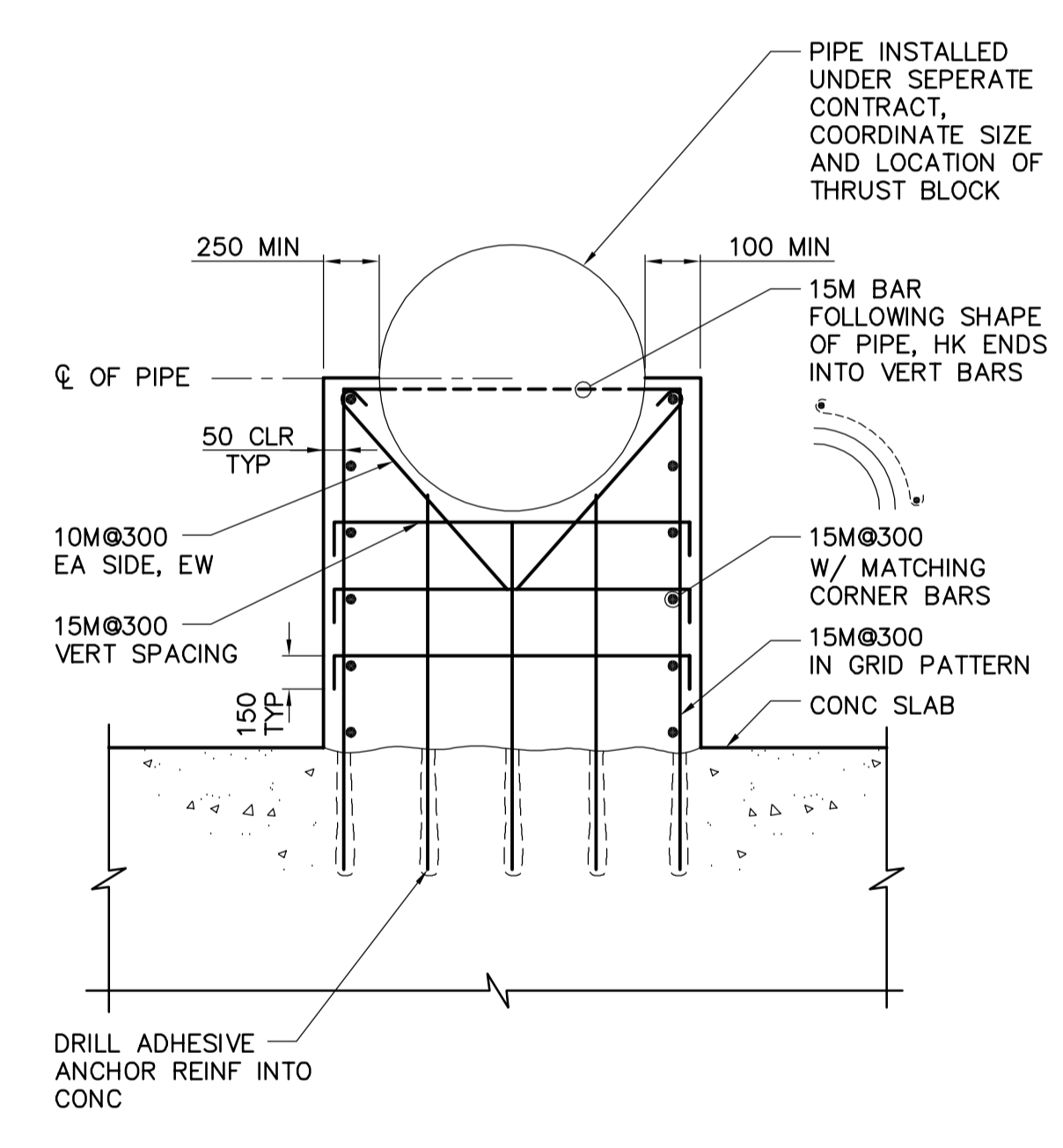


- NOTES:**
1. SEE PLANS FOR SLAB REINFORCEMENT.
  2. SEE DWG WA-S0515 FOR BEAM AND COLUMN SCHEDULES.



**C SECTION**  
WA-S0101 1:50  
WA-S0111, WA-S0121,  
WA-S0131, WA-S0141

**D SECTION**  
WA-S0101 1:50  
WA-S0111, WA-S0121,  
WA-S0131, WA-S0141

**1 DETAIL**  
WA-S0101 NTS  
SCALE 1:50 METRES  
SCALE 1:1 MILLIMETRES

<p><b>Certificate of Authorization</b> CH2M HILL Canada Ltd. No. 1441 Expiry: April 30, 2006</p>	<p>Frederickson Cooper ARCHITECTS</p>	<p>A Neo International Ltd. Company</p>	ENGINEER'S SEAL ORIGINAL SIGNED BY D. KRUGER 2006/02/06	<p><b>THE CITY OF WINNIPEG</b> WATER AND WASTE DEPARTMENT ENGINEERING DIVISION</p>
			DESIGNED BY MC CHECKED BY AP DRAWN BY RL APPROVED BY DJT SCALE: 1:50 RELEASED FOR CONSTRUCTION BY: R. SOROKOWSKI DATE 2006/02/08	
00 ISSUED FOR TENDER 2006/02/03 MC NO. REVISIONS DATE BY	DATE 2008/08/04	DATE 2006/02/08	CONSULTANT DRAWING NO. WA-S0203	CITY FILE NUMBER SHEET OF CITY DRAWING NUMBER 1-0601A-A-50203-001-00D