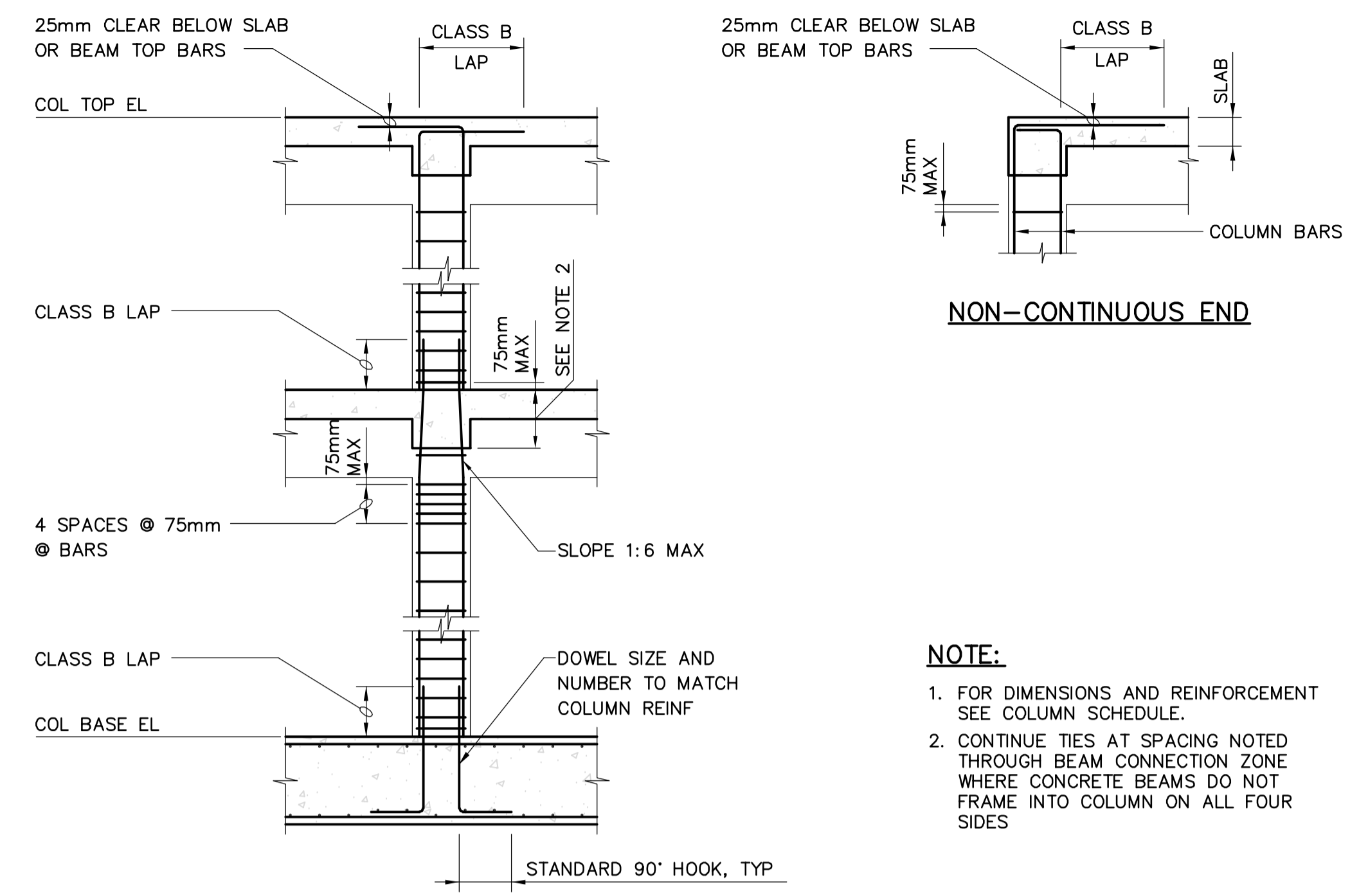
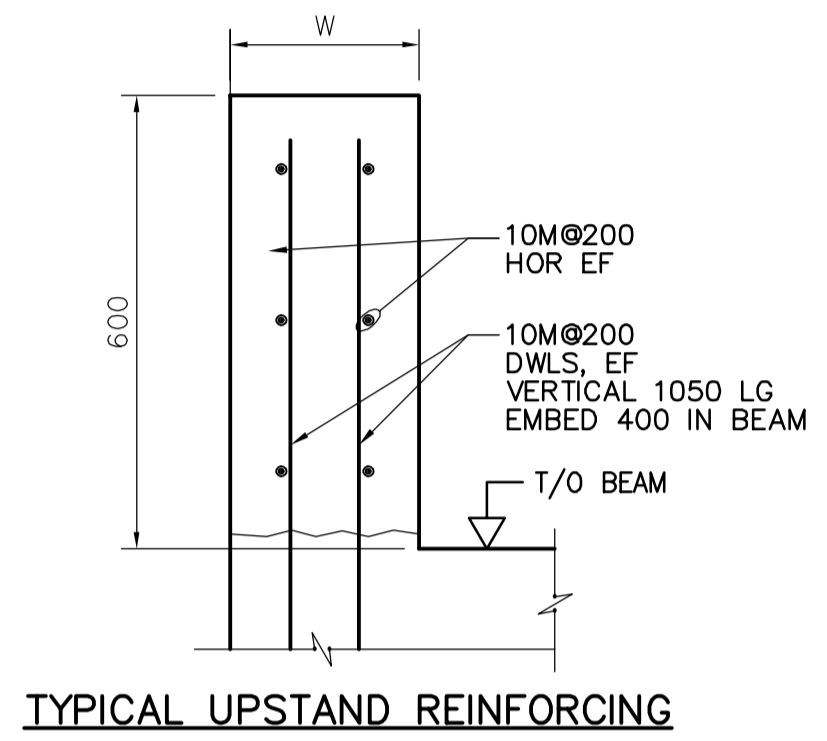
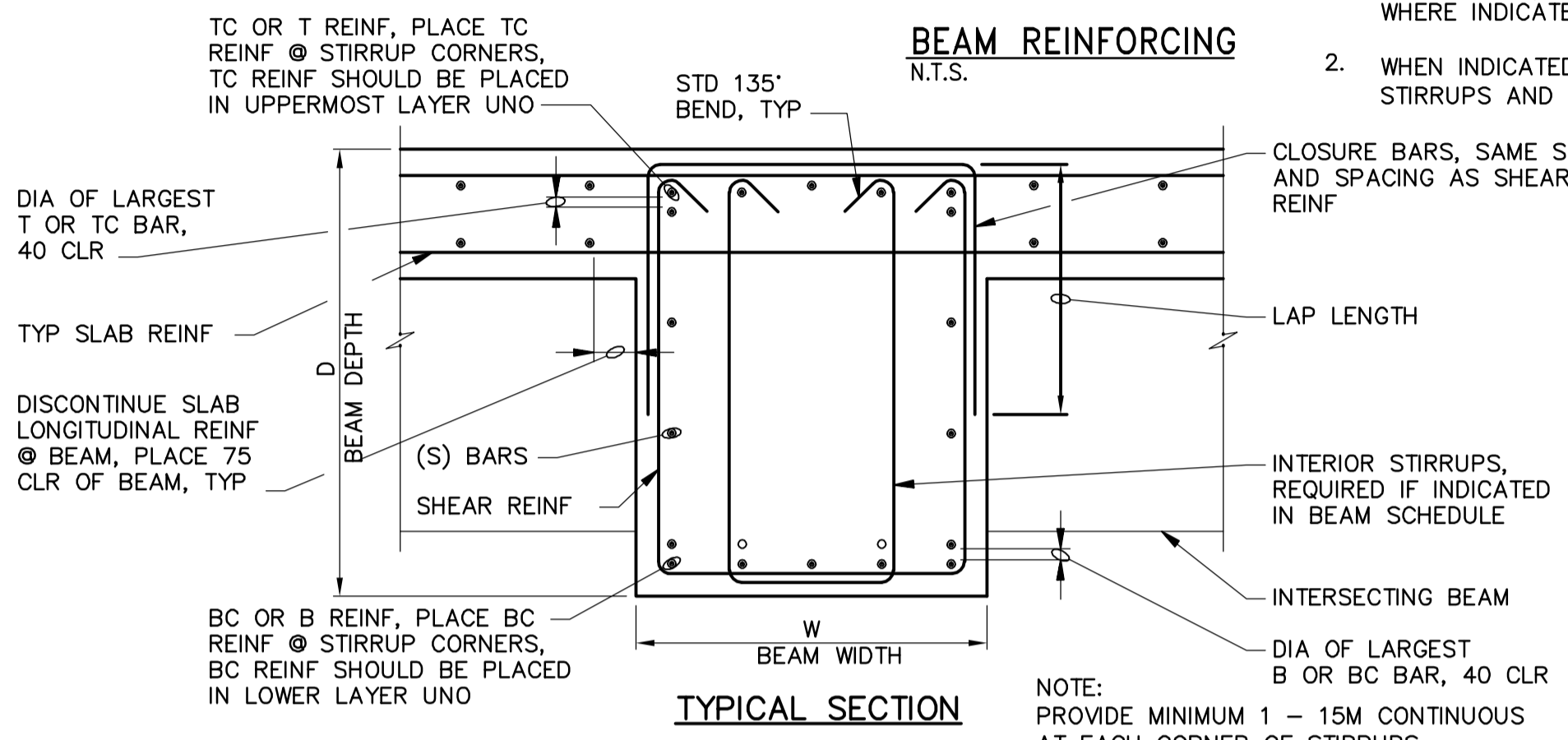


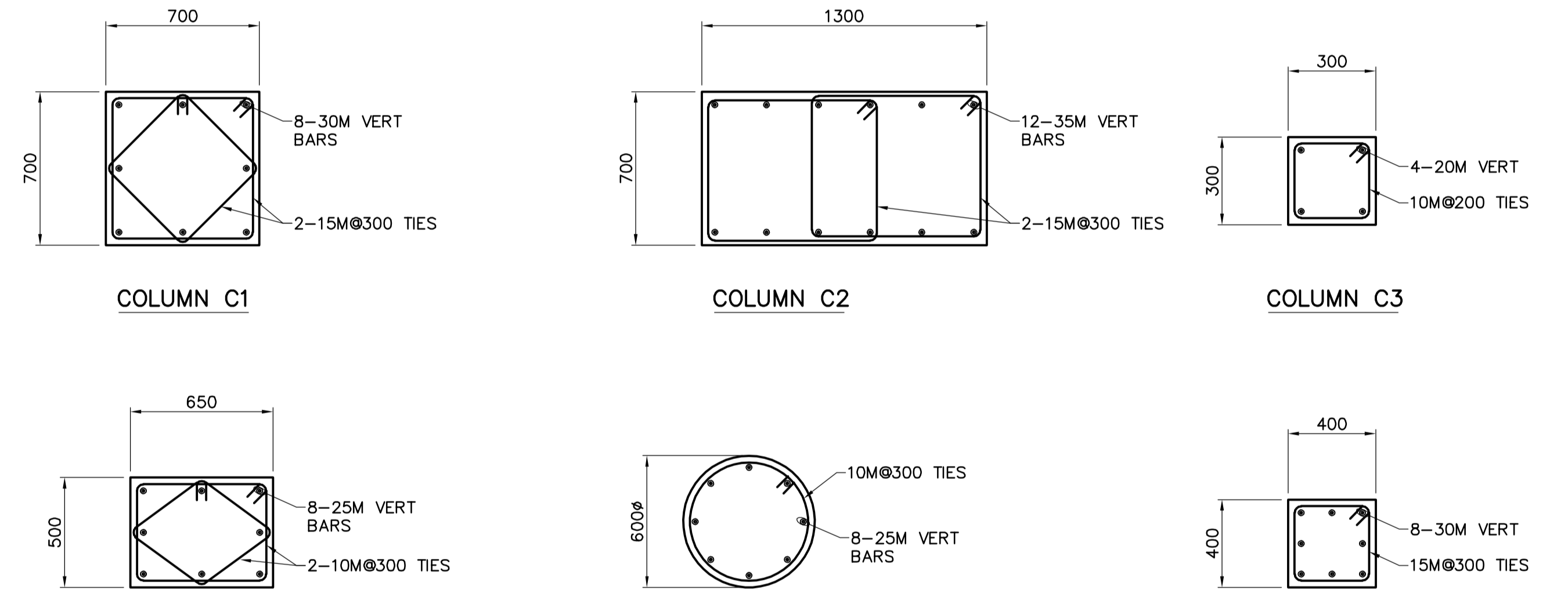
- NOTES:**
- PLACE TOP (T & TC) AND BOTTOM (B & BC) BARS IN MULTIPLE ROWS ONLY WHERE INDICATED IN SCHEDULE.
 - WHEN INDICATED IN BEAM SCHEDULE, SUBSTITUTE CLOSED TIES (□) FOR STIRRUPS AND CLOSURE BARSSHOWN (□).



COLUMN REINFORCING
N.T.S.

BEAM NO. (SEE PLANS)	SIZE		TOP REINF AT LEFT SUPPORT		BOTTOM REINF		* TOP REINF AT RIGHT SUPPORT		S BARS	SHEAR REINF (MM)		REMARKS
	W	D	T	TC	B	BC	T	TC		NO. SIZE	SPACING FROM LEFT SUPPORT	
BM1	600	600	-	4-15M	-	8-25M	-	4-15M	2-15M	2-10M	200	BC BARS IN 2 LAYERS
BM2	600	600	-	4-25M	-	6-25M	4-25M	4-25M	2-15M	2-10M	200	
BM3	600	600	4-25M	4-25M	-	4-25M	-	4-25M	2-15M	2-10M	200	
BM4	400	1010	2-20M	4-25M	-	4-25M	2-20M	4-25M	4-15M	10M	200	UPTURNED BEAM
BM5	400	600	-	4-25M	-	4-25M	-	4-25M	2-15M	10M	200	
BM6	500	600	2-25M	4-30M	-	4-30M	2-25M	4-30M	2-15M	15M	200	
BM7	500	600	2-25M	4-30M	-	6-30M	2-25M	4-30M	2-15M	15M	150	
BM8	500	600	-	4-30M	-	4-25M	2-25M	4-30M	2-15M	15M	200	
BM9	400	600	2-20M	4-25M	-	4-25M	2-20M	4-25M	2-15M	10M	200	
BM10	500	800	-	4-30M	-	4-35M	-	4-30M	2-15M	2-10M	300	
BM11	600	800	-	4-30M	-	6-35M	4-25M	4-30M	2-15M	2-10M	300	
BM12	600	800	4-25M	4-30M	-	4-25M	-	4-30M	2-15M	2-10M	300	
BM13	600	800	-	4-25M	-	4-25M	-	4-25M	2-15M	2-10M	300	
BM14	600	800	2-25M	4-30M	-	4-25M	2-25M	4-30M	2-15M	2-10M	300	
BM15	500	700	-	4-30M	-	4-25M	-	4-30M	2-15M	15M	300	
BM16	500	700	-	4-30M	-	4-30M	2-30M	4-30M	2-15M	15M	200	
BM17	500	700	2-30M	4-30M	-	4-30M	-	4-30M	2-15M	15M	200	
BM18	500	700	-	4-30M	-	6-35M	-	4-30M	2-15M	15M	300	
BM19	500	600	-	6-30M	-	6-30M	-	6-30M	2-15M	15M	200	W/ UPSTAND ALONG GL BN
BM20	500	600	-	4-25M	-	4-25M	-	4-25M	2-15M	10M	200	
BM21	400	600	-	4-15M	-	8-25M	-	4-15M	2-15M	10M	200	BC BARS IN 2 LAYERS
BM22	740	600	-	4-25M	-	8-30M	-	4-25M	2-15M	15M	300	BC BARS IN 2 LAYERS, W/ UPSTAND
BM23	500	1300	-	6-30M	-	6-30M	-	6-30M	2-15M	15M	300	

BEAM SCHEDULE
N.T.S.



COLUMN SCHEDULE
N.T.S.

- NOTES:**
- * TOP REINFORCING MAY BE CALLED-OUT TWICE IN SCHEDULE. (I.E. "TOP REINFORCING AT RIGHT SUPPORT" OF BEAM THAT IS CONTINUOUS OVER THE RIGHT SUPPORT IS CALLED-OUT AS "TOP REINFORCING AT LEFT SUPPORT" OF ADJACENT BEAM.)
 - LEFT SUPPORT IS DESIGNATED AS THE SUPPORT CLOSEST TO THE LEFT SIDE OR BOTTOM OF SHEET ON WHICH FRAMING PLAN IS DRAWN, UNLESS NOTED OTHERWISE ON PLAN.
 - FOR CONCRETE BEAM END DETAIL SEE 3



B.M. ELEV.					
DESIGNED BY	MC	CHECKED BY	AP		
DRAWN BY	RL	APPROVED BY	DJT		
SCALE:	NTS	RELEASED FOR CONSTRUCTION BY:	R. SOROKOWSKI		
00 ISSUED FOR TENDER	2006/02/03	DATE	2005/10/11	DATE	2006/02/08

THE CITY OF WINNIPEG
WATER AND WASTE DEPARTMENT
ENGINEERING DIVISION

WATER TREATMENT PLANT
ADMINISTRATION
FOUNDATIONS AND CONCRETE STRUCTURES

STRUCTURAL
ADMINISTRATION AREA
COLUMN AND BEAM SCHEDULES

ENGINEER'S SEAL
ORIGINAL SIGNED BY
D. KRUGER
2006/02/06

CITY FILE NUMBER
SHEET OF
CITY DRAWING NUMBER
1-0601A-D-50515-001-00D