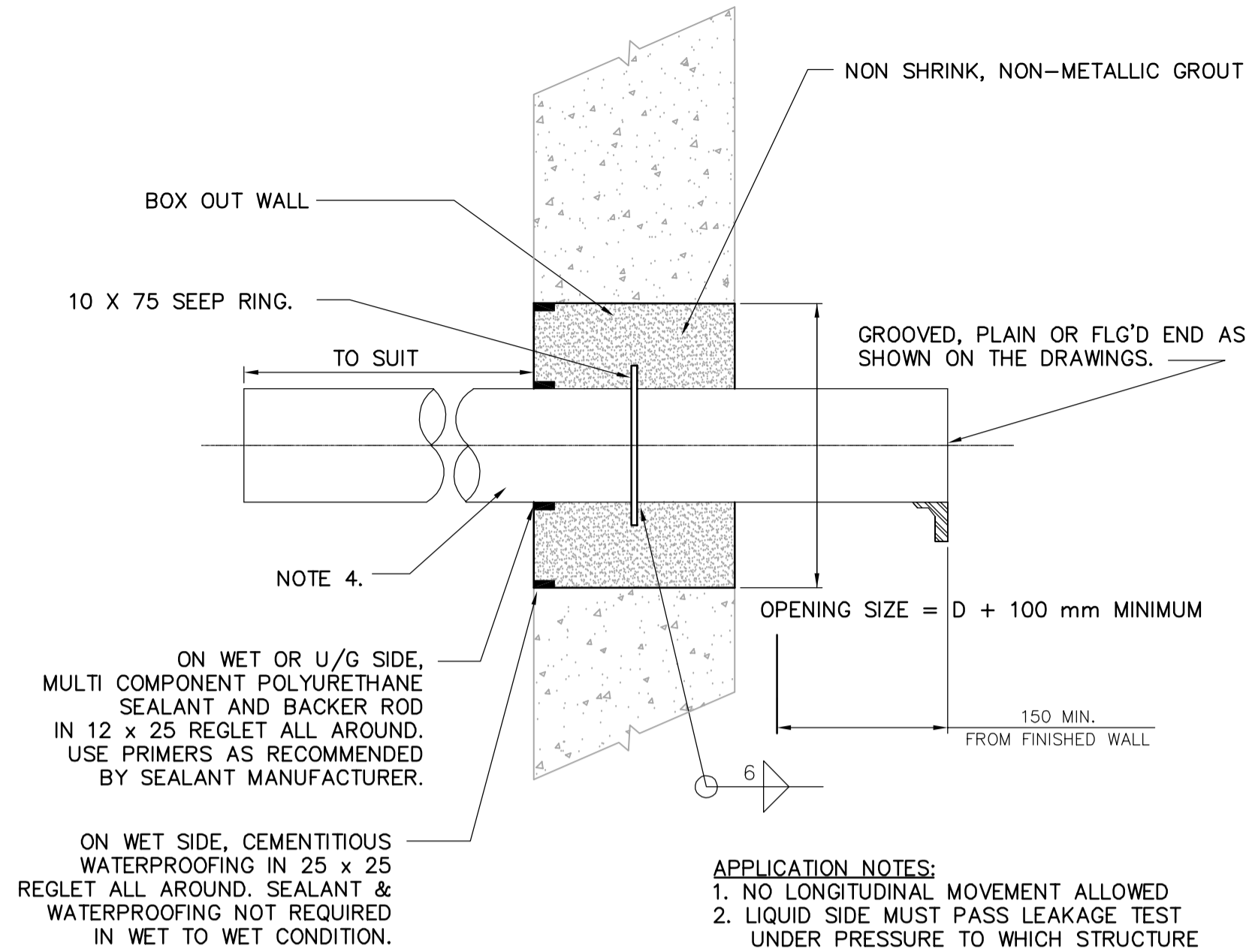


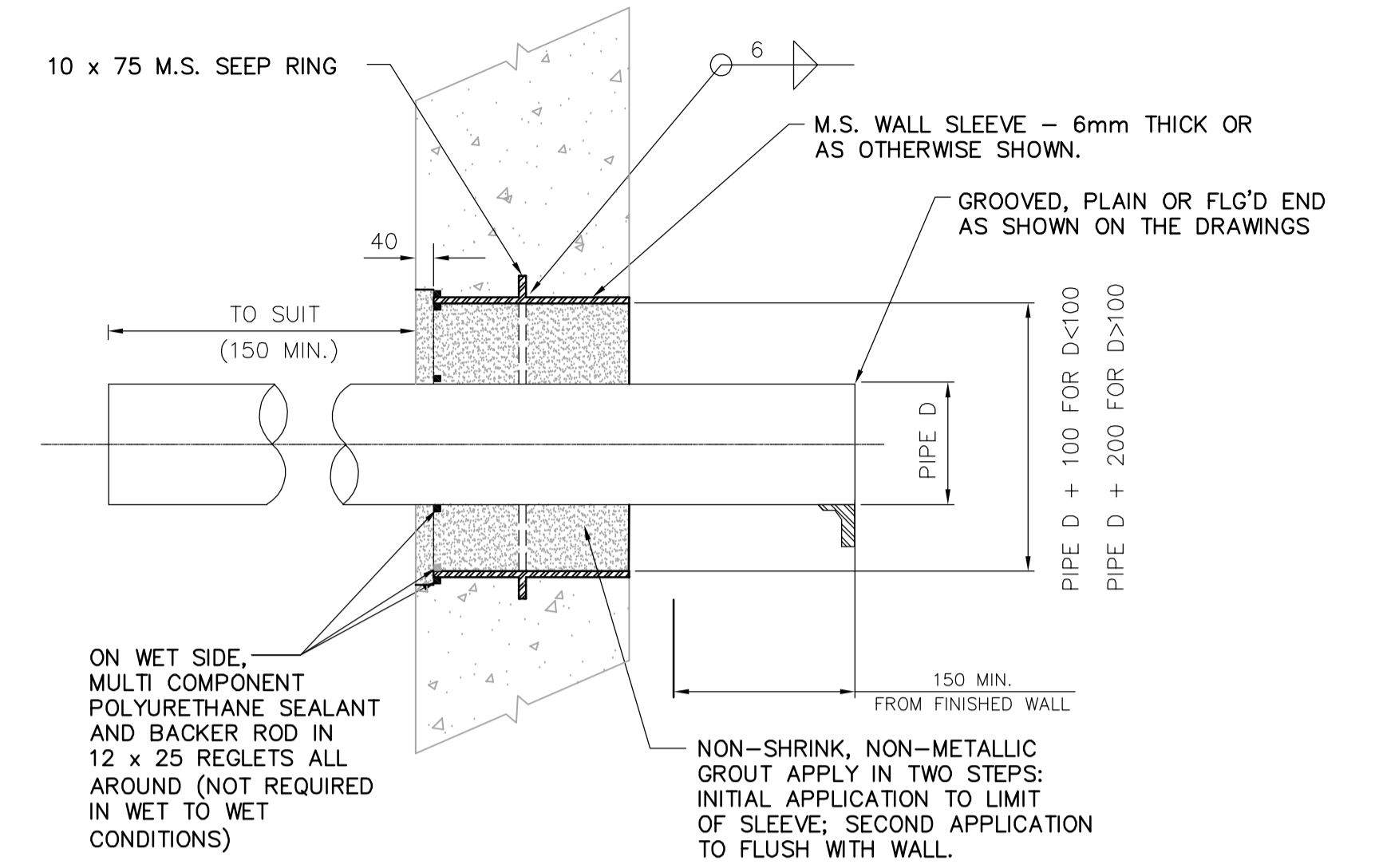
- APPLICATION NOTES:**
1. NO LONGITUDINAL MOVEMENT ALLOWED
 2. LIQUID SIDE MUST PASS LEAKAGE TEST UNDER PRESSURE TO WHICH STRUCTURE IS SUBJECTED.
 3. COATING NOT REQUIRED ON STAINLESS STEEL AND PVC PIPE.
 4. ON EXTERIOR OF PIPE, END COATING 50mm INSIDE CONCRETE FACE.

1 WALL AND FLOOR PENETRATION NO. 1
N.T.S.



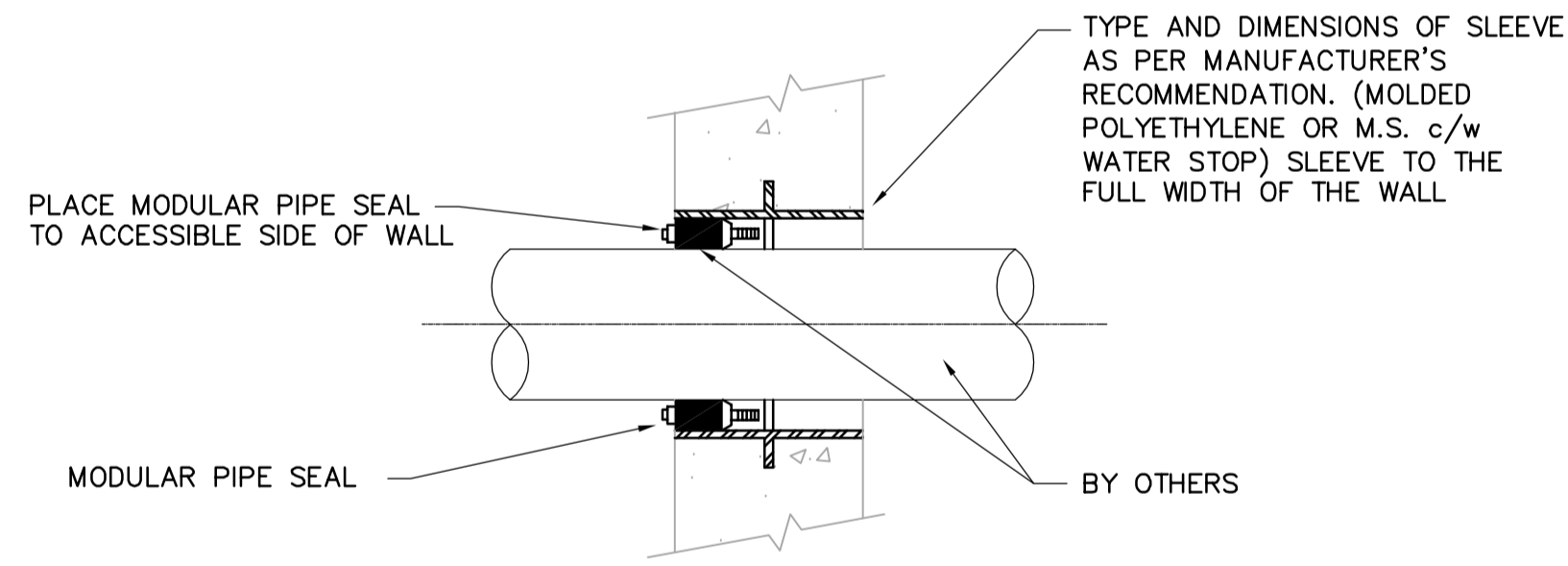
- APPLICATION NOTES:**
1. NO LONGITUDINAL MOVEMENT ALLOWED
 2. LIQUID SIDE MUST PASS LEAKAGE TEST UNDER PRESSURE TO WHICH STRUCTURE IS SUBJECTED.
 3. COATING NOT REQUIRED ON STAINLESS STEEL AND PVC PIPE.
 4. ON EXTERIOR OF PIPE, END COATING 50mm INSIDE CONCRETE FACE.

2 WALL PENETRATION NO. 2
N.T.S.



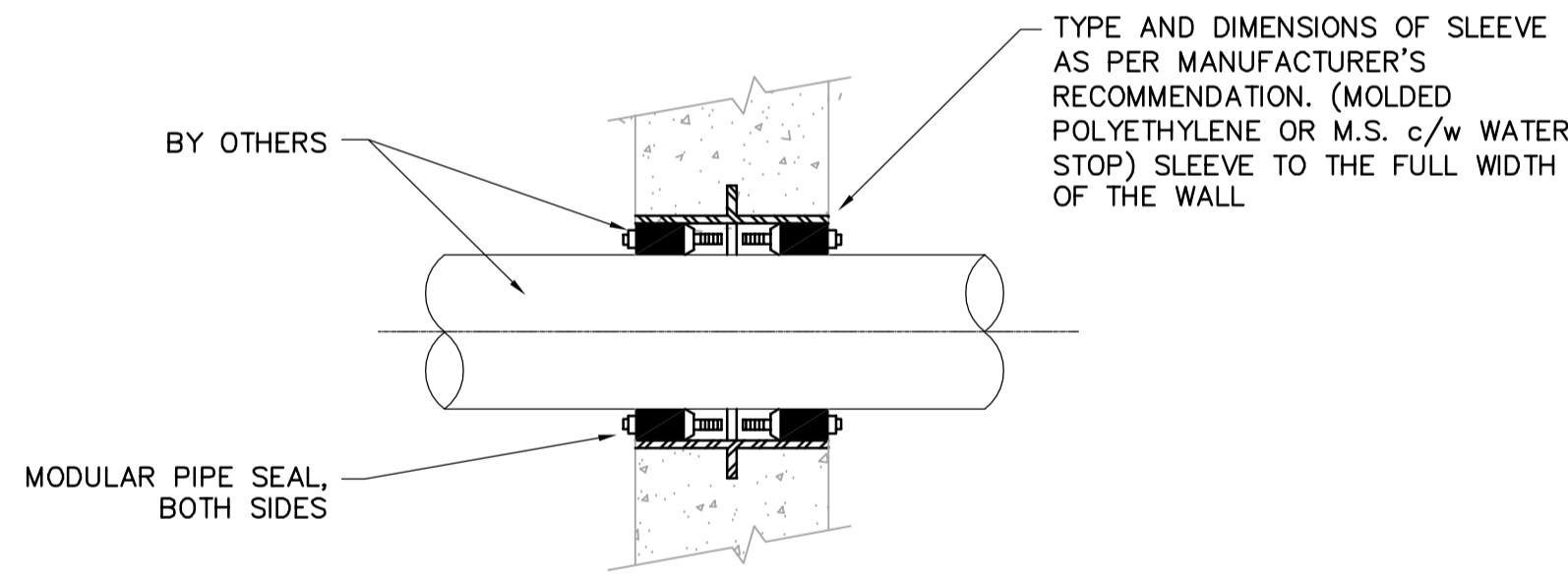
- APPLICATION NOTES:**
1. NO LONGITUDINAL MOVEMENT ALLOWED
 2. LIQUID SIDE MUST PASS LEAKAGE TEST UNDER PRESSURE TO WHICH STRUCTURE IS SUBJECTED.

3 WALL PENETRATION NO. 3
N.T.S.



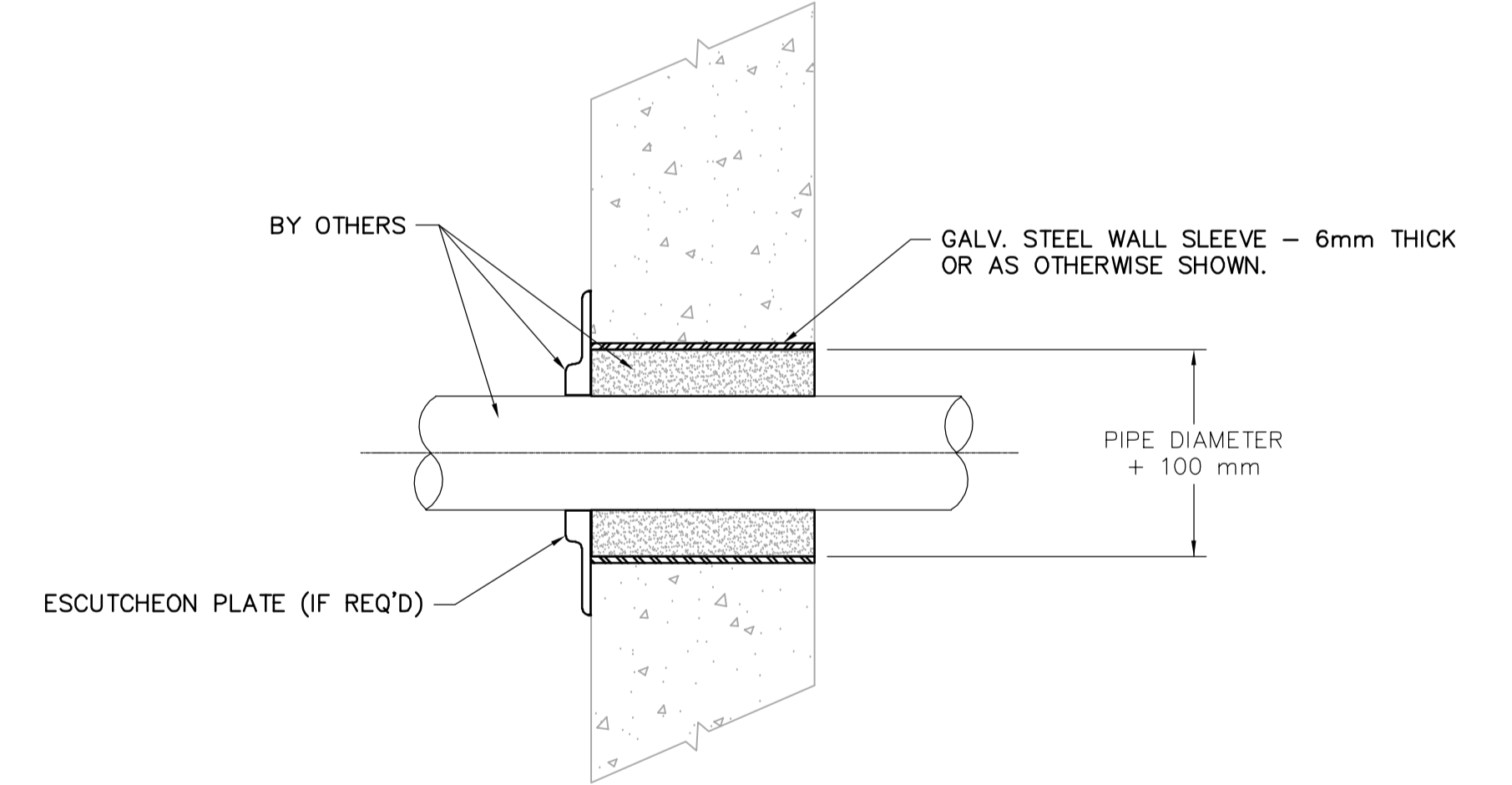
- APPLICATION NOTES:**
1. SEEP RING REQ'D ONLY FOR PENETRATION IN WET AREAS OR BELOW GRADE.
 2. LIQUID SIDE MUST PASS LEAKAGE TEST UNDER PRESSURE TO WHICH STRUCTURE IS SUBJECTED
 3. FOR PENETRATIONS THROUGH EXISTING STRUCTURES CORE AND INSTALL SEAL PER MANUFACTURER'S SPEC'S (NO SLEEVE REQUIRED)
 4. SUPPORT PIPE ON BOTH SIDES OF WALL PENETRATION.
 5. USE STAINLESS STEEL HARDWARE.

4 WALL & FLOOR PENETRATION NO. 4
N.T.S.



- APPLICATION NOTES:**
1. SEEP RING REQ'D ONLY FOR PENETRATION IN WET AREAS OR BELOW GRADE.
 2. LIQUID SIDE MUST PASS LEAKAGE TEST UNDER PRESSURE TO WHICH STRUCTURE IS SUBJECTED
 3. FOR PENETRATIONS THROUGH EXISTING STRUCTURES CORE AND INSTALL SEAL PER MANUFACTURER'S SPEC'S (NO SLEEVE REQUIRED)
 4. SUPPORT PIPE ON BOTH SIDES OF WALL PENETRATION.
 5. USE STAINLESS STEEL HARDWARE.

5 WALL & FLOOR PENETRATION NO. 5
N.T.S.



6 WALL PENETRATION NO. 6
N.T.S.

<p>Certificate of Authorization CH2M HILL Canada Ltd. No. 1441 Expiry: April 30, 2006</p>	B.M. ELEV.	<p>Frederickson Cooper ARCHITECTS</p>	<p>A Geo International Ltd. Company</p>	ENGINEER'S SEAL	<p>THE CITY OF WINNIPEG WATER AND WASTE DEPARTMENT ENGINEERING DIVISION</p>		
				DESIGNED BY DC		CHECKED BY JS	ORIGINAL SIGNED BY P. WOBMA
				DRAWN BY EK		APPROVED BY DJT	2006/02/06
				SCALE: NONE		RELEASED FOR CONSTRUCTION BY: R. SOROKOWSKI	CONSULTANT DRAWING NO. WB-M9451
	00 ISSUED FOR TENDER 2006/02/03 DC	DATE 2005/09/12	DATE 2006/02/08		<p>WATER TREATMENT PLANT MAIN BUILDING FOUNDATIONS AND CONCRETE STRUCTURES</p> <p>PROCESS MECHANICAL</p> <p>STANDARD DETAILS</p>		
					<p>CITY FILE NUMBER</p> <p>SHEET OF</p> <p>CITY DRAWING NUMBER</p> <p>1-060B-A-M9451-001-00D</p>		