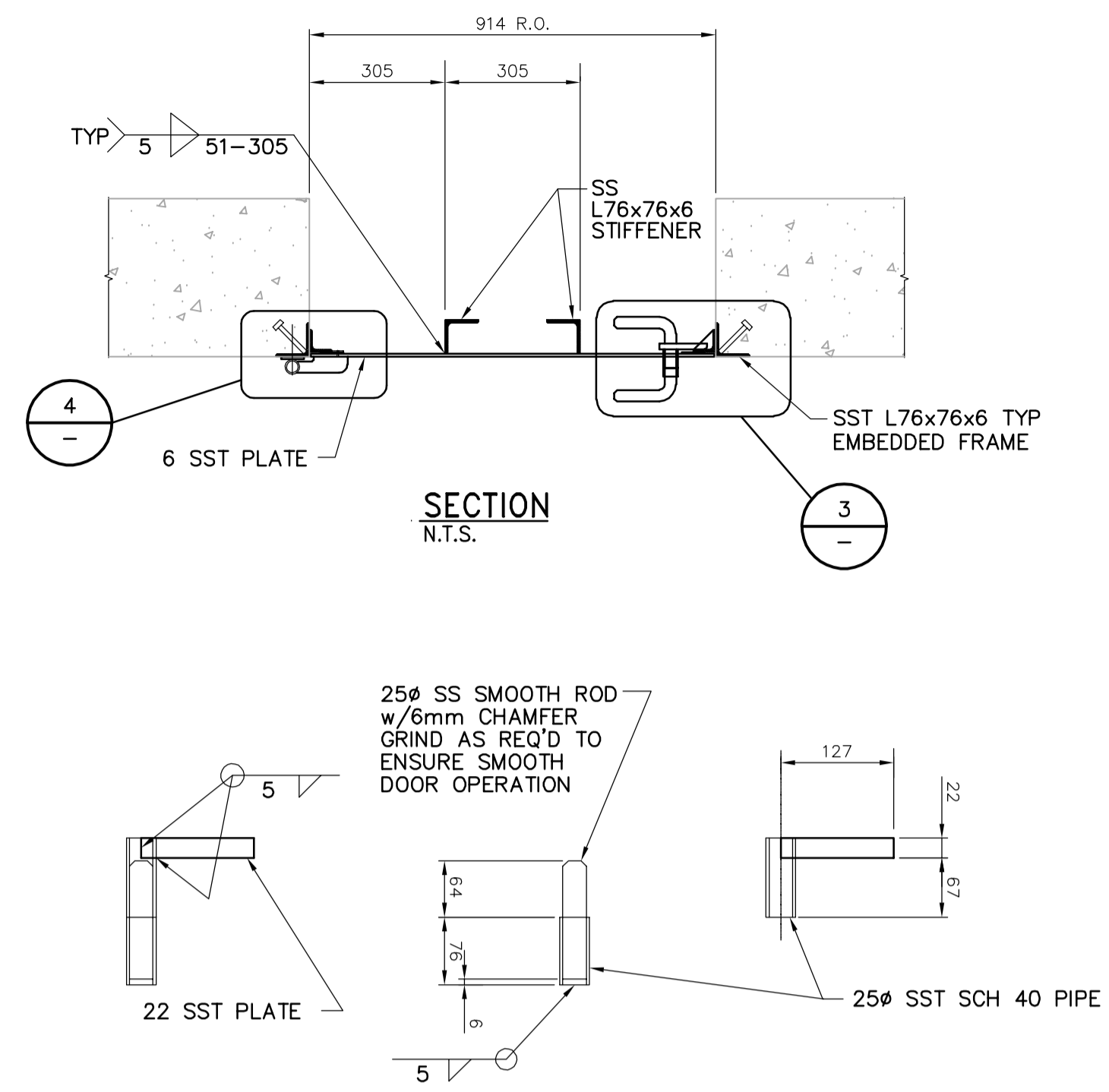
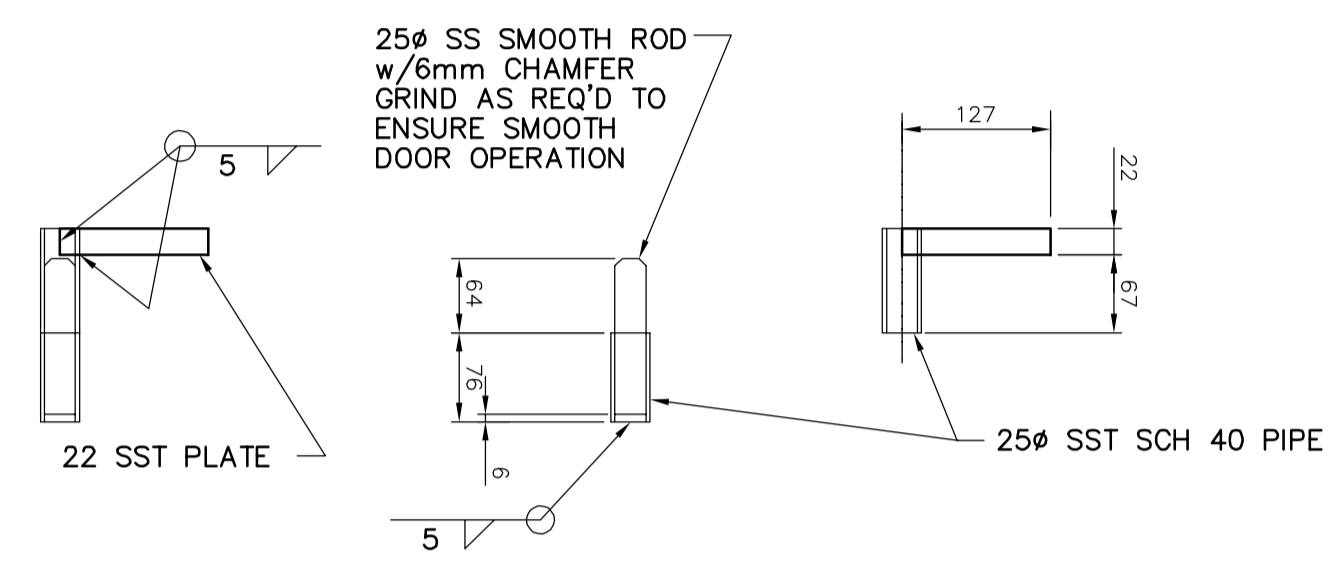


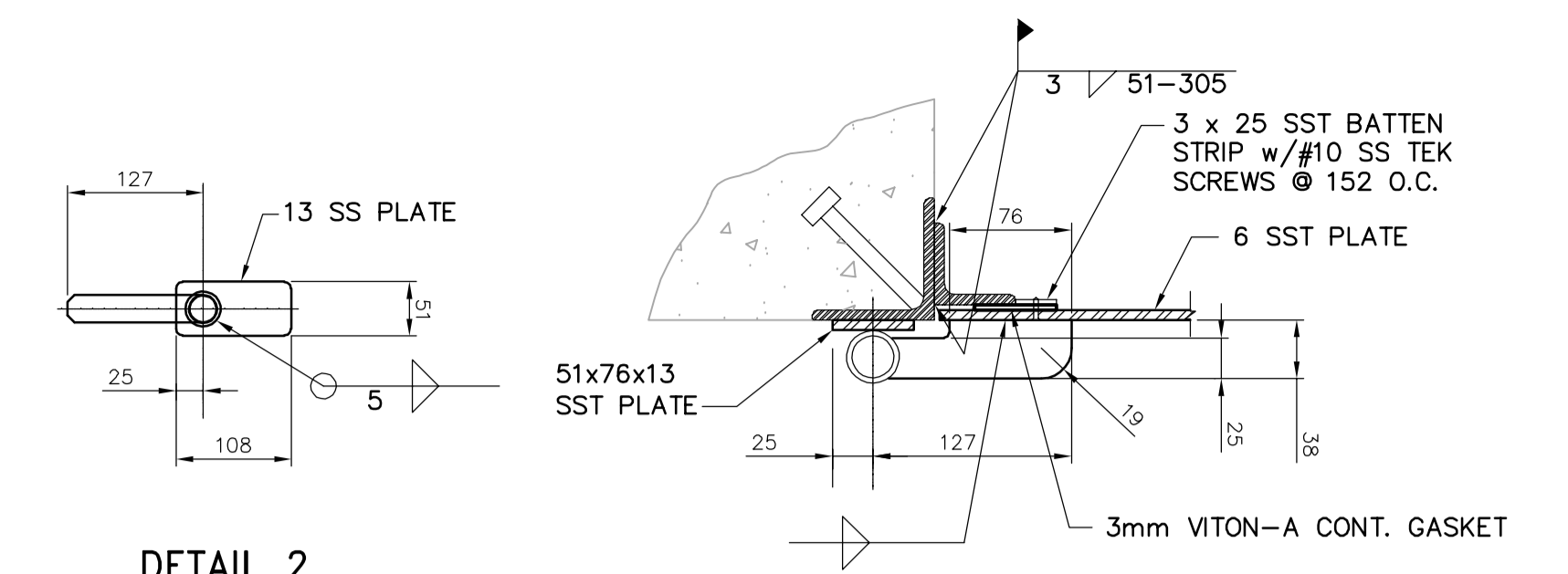
12 STAINLESS STEEL ACCESS DOOR  
N.T.S.



SECTION  
N.T.S.

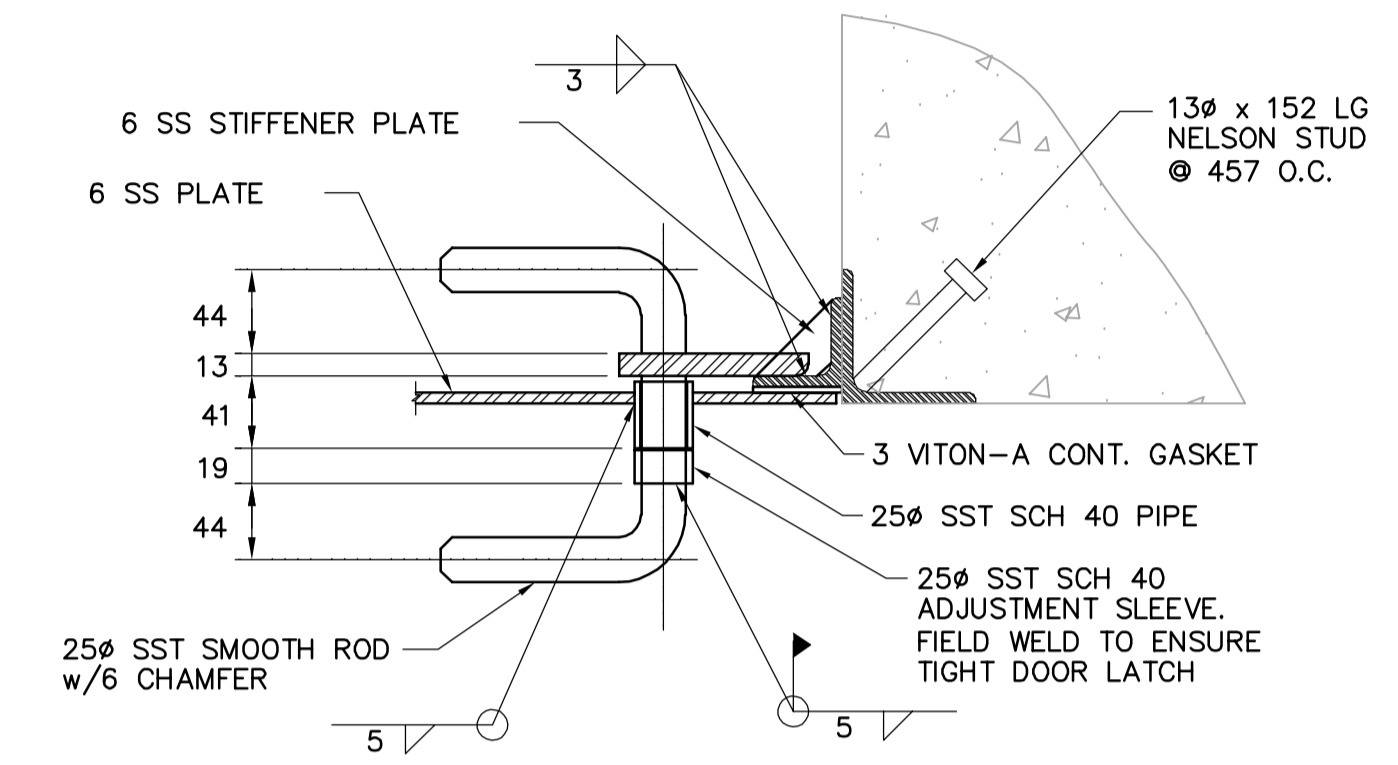


DETAIL 1  
N.T.S.

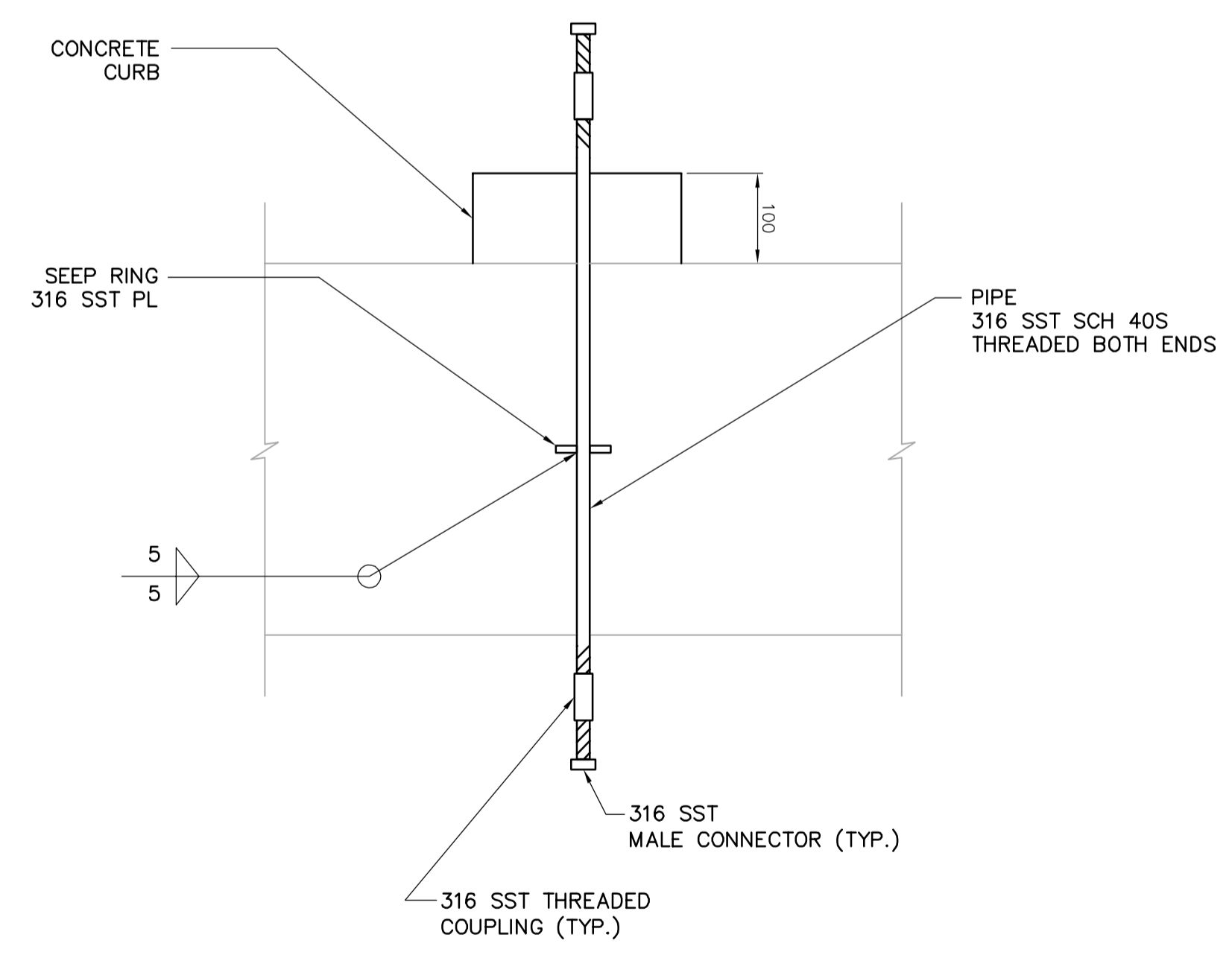


DETAIL 2  
N.T.S.

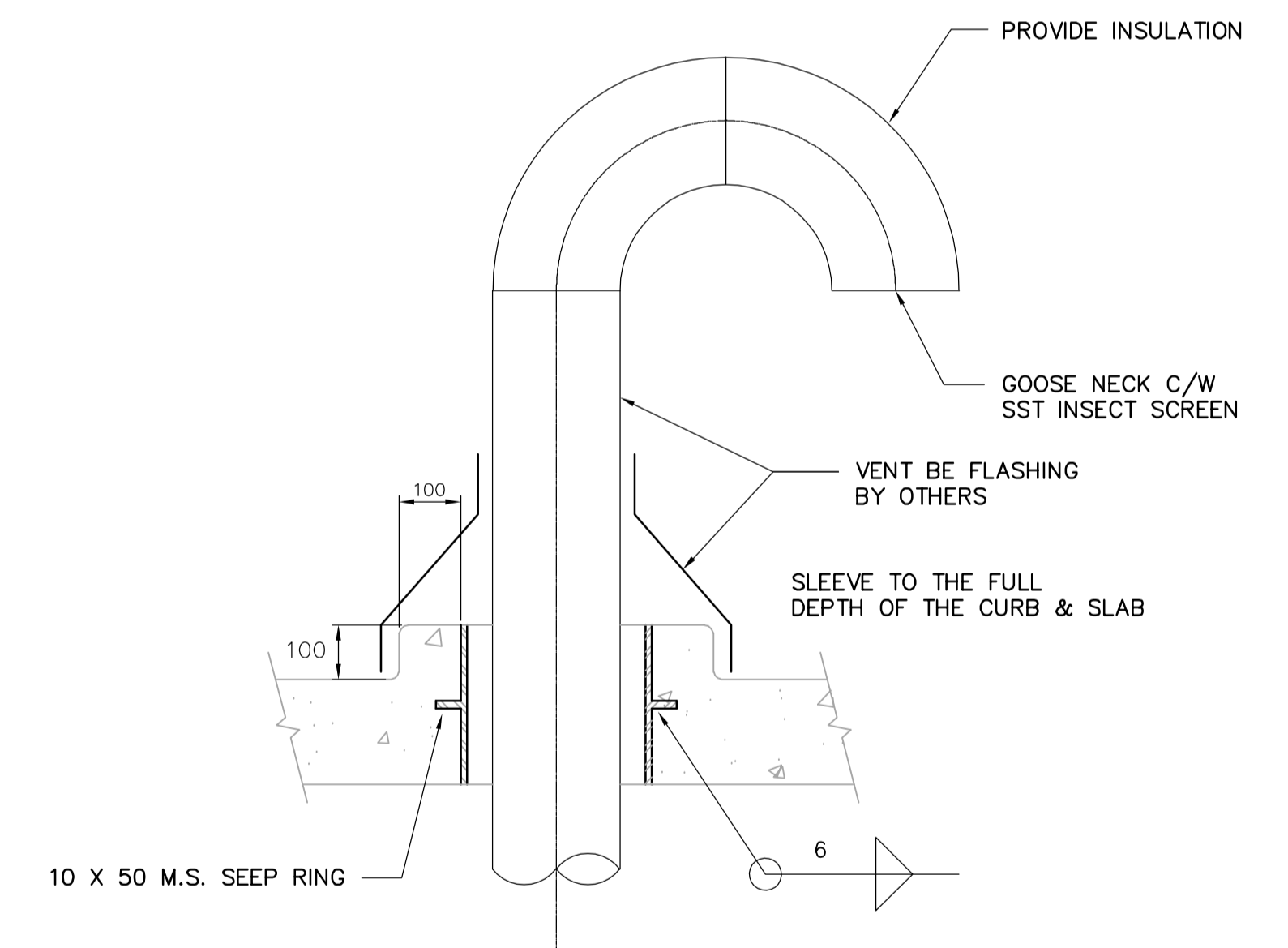
DETAIL 4  
N.T.S.



DETAIL 3  
N.T.S.



13 SAMPLE PIPING FLOOR PENETRATION  
N.T.S.



14 GOOSENECK ROOF INTAKE OR DISCHARGE  
N.T.S.

<p>Certificate of Authorization CH2M HILL Canada Ltd. No. 1441 Expiry: April 30, 2006</p>	B.M. ELEV.	<p>Frederickson Cooper ARCHITECTS</p>	<p>A Neo International Ltd. Company</p>	ENGINEER'S SEAL	<p>THE CITY OF WINNIPEG WATER AND WASTE DEPARTMENT ENGINEERING DIVISION</p>		
				DESIGNED BY DC		CHECKED BY JS	ORIGINAL SIGNED BY P. WOBMA
				DRAWN BY EK		APPROVED BY DJT	2006/02/06
				SCALE: NONE		RELEASED FOR CONSTRUCTION BY: R. SOROKOWSKI	CONSULTANT DRAWING NO. WB-M9453
	00 ISSUED FOR TENDER 2006/02/03 DC	NO. REVISIONS	DATE	DATE 2005/09/21	DATE 2006/02/08		
					<p>WATER TREATMENT PLANT MAIN BUILDING FOUNDATIONS AND CONCRETE STRUCTURES</p> <p>PROCESS MECHANICAL</p> <p>STANDARD DETAILS</p>		
					<p>CITY FILE NUMBER</p> <p>SHEET OF</p> <p>CITY DRAWING NUMBER</p> <p>1-0601B-A-M9453-001-00D</p>		