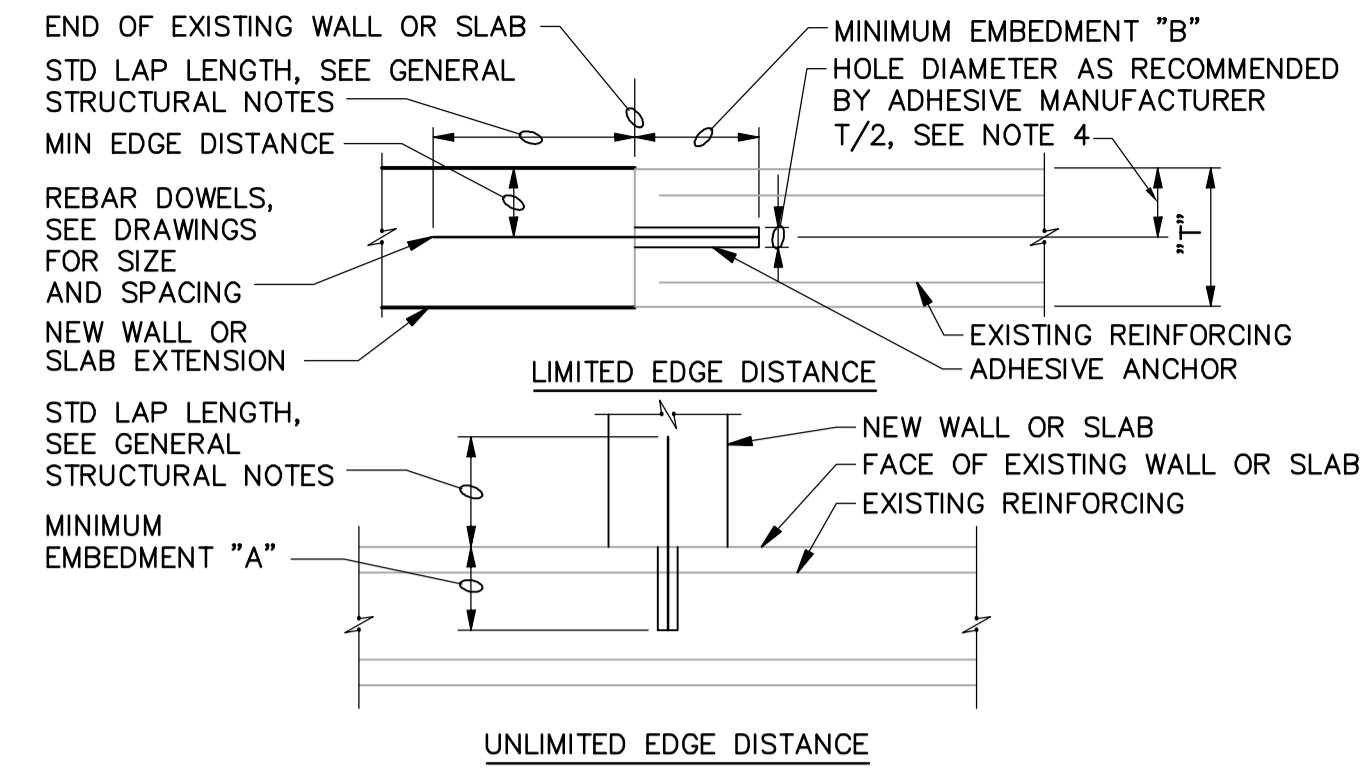


1 SLAB CONSTRUCTION JOINT  
- N.T.S.

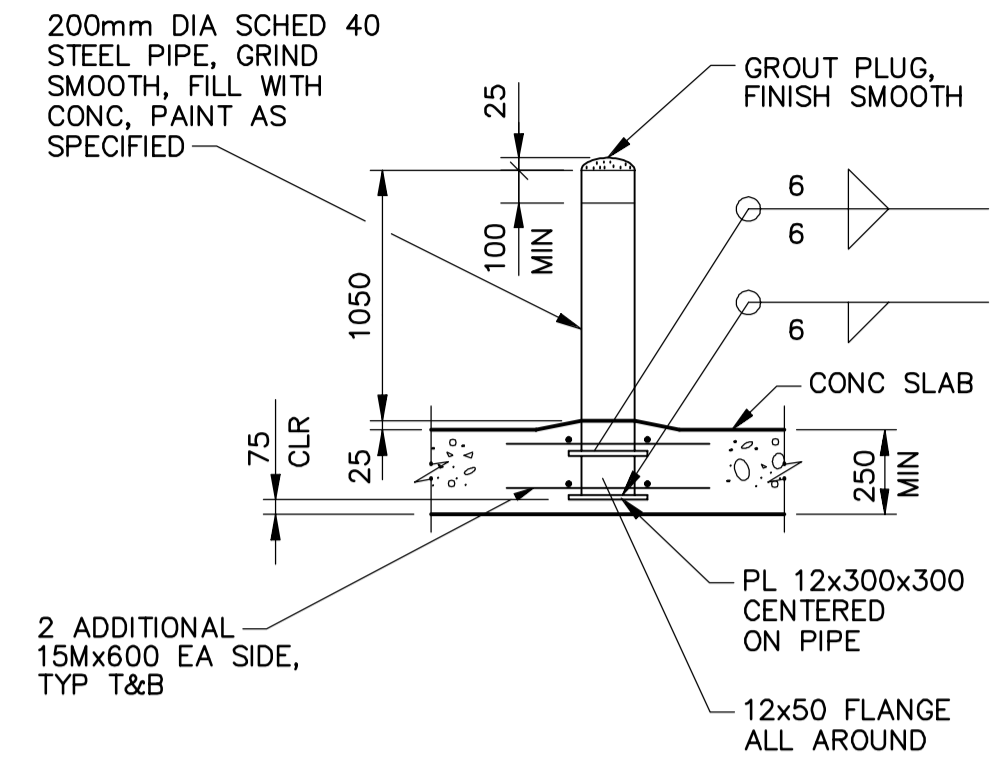


DOWEL SIZE	MINIMUM EDGE DIST	MINIMUM EMBEDMENT A	MINIMUM EMBEDMENT B
10M	65mm	125mm	200mm
15M	100mm	200mm	330mm
20M	125mm	265mm	400mm
25M	175mm	355mm	560mm
30M	190mm	380mm	600mm

NOTES:

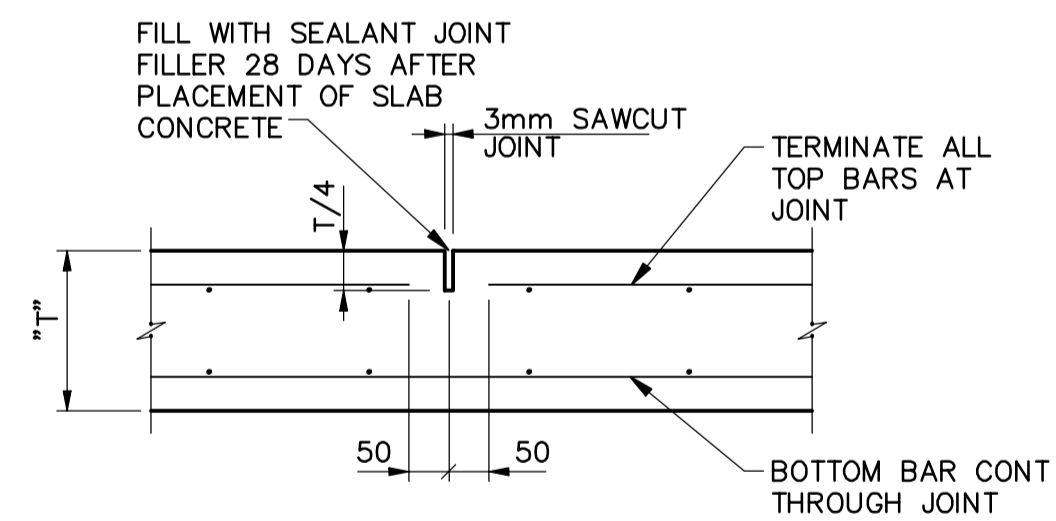
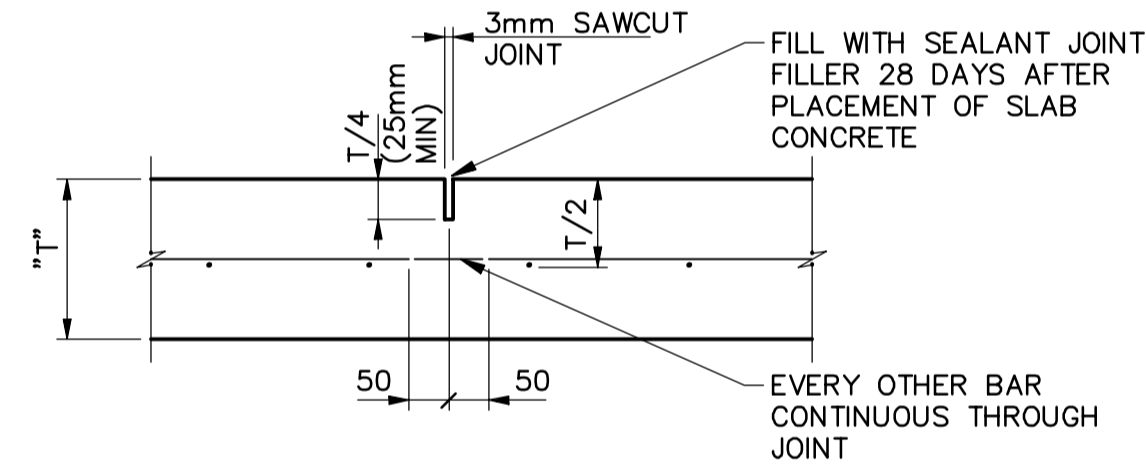
- CONFORM TO THE REQUIREMENTS OF SPECIFICATION SECTION 03215, DOWELING FOR CONCRETE.
- FOLLOW ADHESIVE MANUFACTURER'S INSTRUCTIONS FOR INSTALLATION.
- USE MINIMUM EMBEDMENTS SHOWN, EXCEPT USE MANUFACTURER'S MINIMUM RECOMMENDED EMBEDMENT IF GREATER.
- LOCATE DOWELS CENTERED IN WALL OR SLAB UNLESS OTHERWISE NOTED ON DRAWINGS. WHERE 2 ROWS OF DOWELS INDICATED, STAGGER SPACING & LOCATE ALTERNATING DOWELS AT MINIMUM EDGE DISTANCE FROM OPPOSITE FACES.

2 ADHESIVE DOWEL  
- N.T.S.



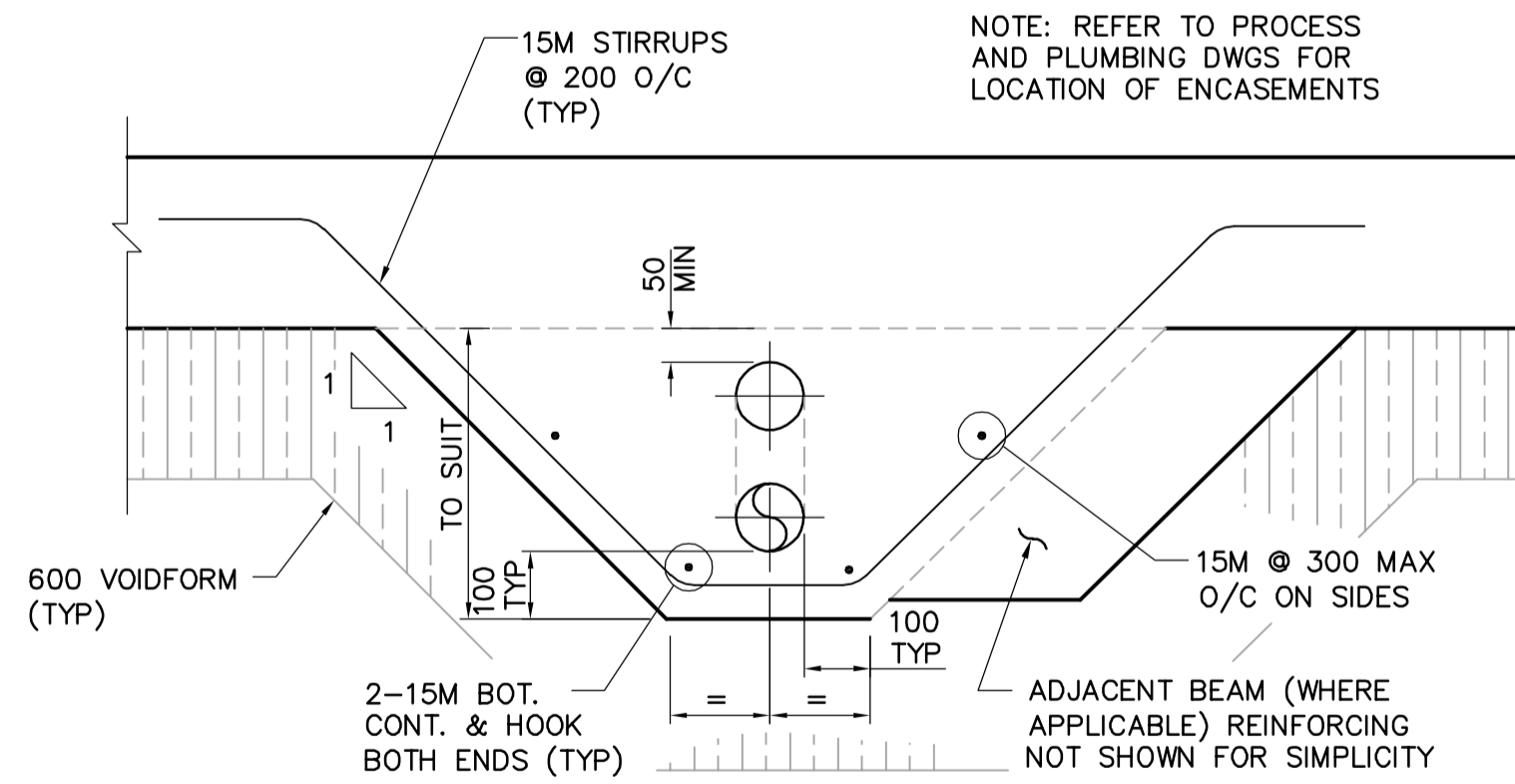
NOTE:  
HOT DIPPED GALVANIZED AFTER FABRICATION.

3 GUARD POST - INTERIOR  
- N.T.S.

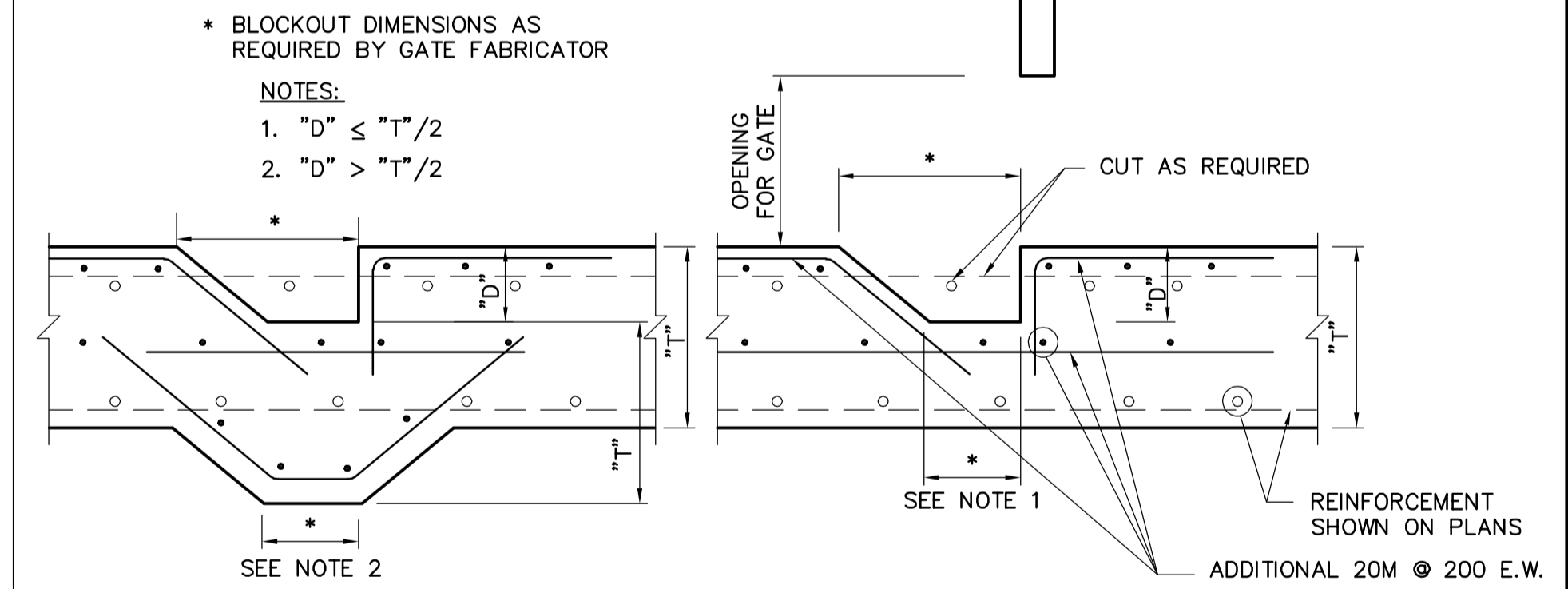


- NOTE:
- CONTRACTOR SHALL USE STRING LINE OR OTHER POSITIVE MEANS TO PLACE REINFORCING AND LOCATE SAWCUT.
  - MAX SPACING OF SAW CUT = 3000 IN ANY DIRECTION.

4 SLAB ON GRADE SAWN CONTROL JOINT  
- N.T.S.



5 PIPE OR CONDUIT ENCASUREMENT  
- N.T.S.



6 GATE SILL BLOCKOUT  
- N.T.S.

<p>Certificate of Authorization CH2M HILL Canada Ltd. No. 1441 Expiry: April 30, 2006</p>		<p>B.M. ELEV.</p> <table border="1"> <tr><td> </td><td> </td><td> </td><td> </td></tr> <tr><td> </td><td> </td><td> </td><td> </td></tr> <tr><td> </td><td> </td><td> </td><td> </td></tr> <tr><td> </td><td> </td><td> </td><td> </td></tr> <tr><td> </td><td> </td><td> </td><td> </td></tr> </table>																					<p>Frederickson Cooper ARCHITECTS</p> <p>DESIGNED BY DK CHECKED BY AP</p> <p>DRAWN BY PT APPROVED BY DJT</p> <p>SCALE: NTS RELEASED FOR CONSTRUCTION BY: R. SOROKOWSKI</p> <p>00 ISSUED FOR TENDER 2006/02/03 DK</p> <p>NO. REVISIONS DATE BY DATE 2005/08/31 DATE 2006/02/08</p>	<p>EarthTech A Veolia International Ltd. Company</p> <p>DESIGNED BY DK CHECKED BY AP</p> <p>DRAWN BY PT APPROVED BY DJT</p> <p>SCALE: NTS RELEASED FOR CONSTRUCTION BY: R. SOROKOWSKI</p> <p>00 ISSUED FOR TENDER 2006/02/03 DK</p> <p>NO. REVISIONS DATE BY DATE 2005/08/31 DATE 2006/02/08</p>	<p>ENGINEER'S SEAL</p> <p>ORIGINAL SIGNED BY D. KRUGER</p> <p>2006/02/06</p> <p>CONSULTANT DRAWING NO. WB-S0454</p>

<p>THE CITY OF WINNIPEG WATER AND WASTE DEPARTMENT ENGINEERING DIVISION</p>		<p>CITY FILE NUMBER</p>
<p>WATER TREATMENT PLANT</p>		<p>SHEET OF</p>
<p>FOUNDATIONS AND CONCRETE STRUCTURES</p>		<p>CITY DRAWING NUMBER</p>
<p>STRUCTURAL</p>		<p>1-060B-A-S0454-001-00D</p>
<p>STANDARD DETAILS</p>		