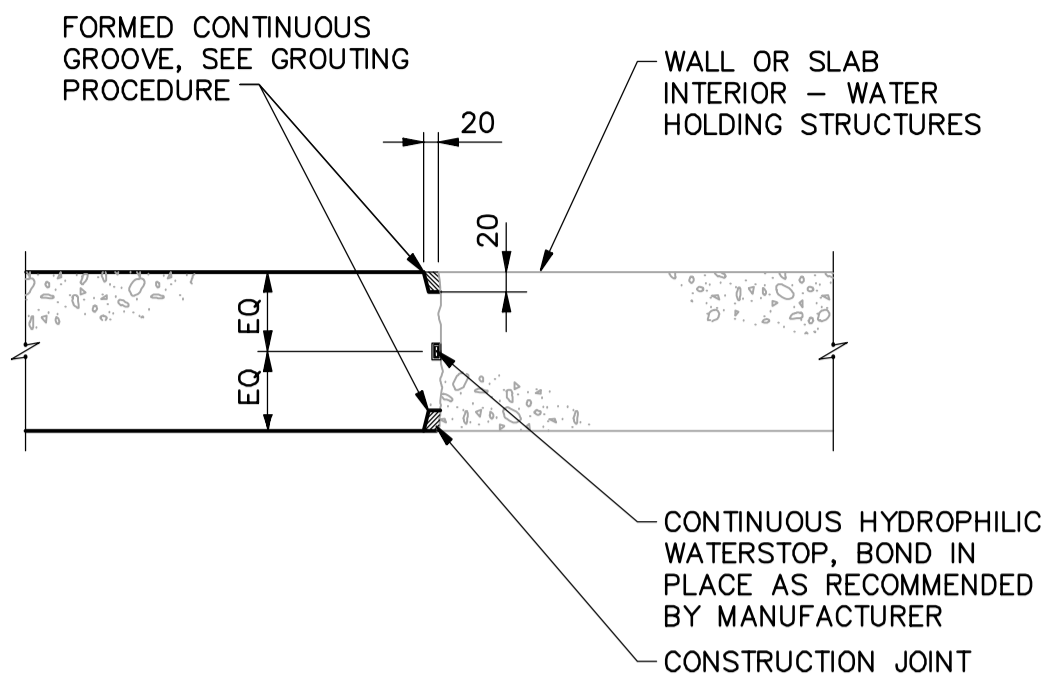


NOTE:
 1. PROVIDE CONTINUOUS WATERSTOP ONLY FOR WATER RETAINING STRUCTURES AND STRUCTURES BELOW GRADE.
 2. THIS DETAIL CAN BE REPLACED BY **5** UPON CONTRACT ADMINISTRATOR'S APPROVAL.

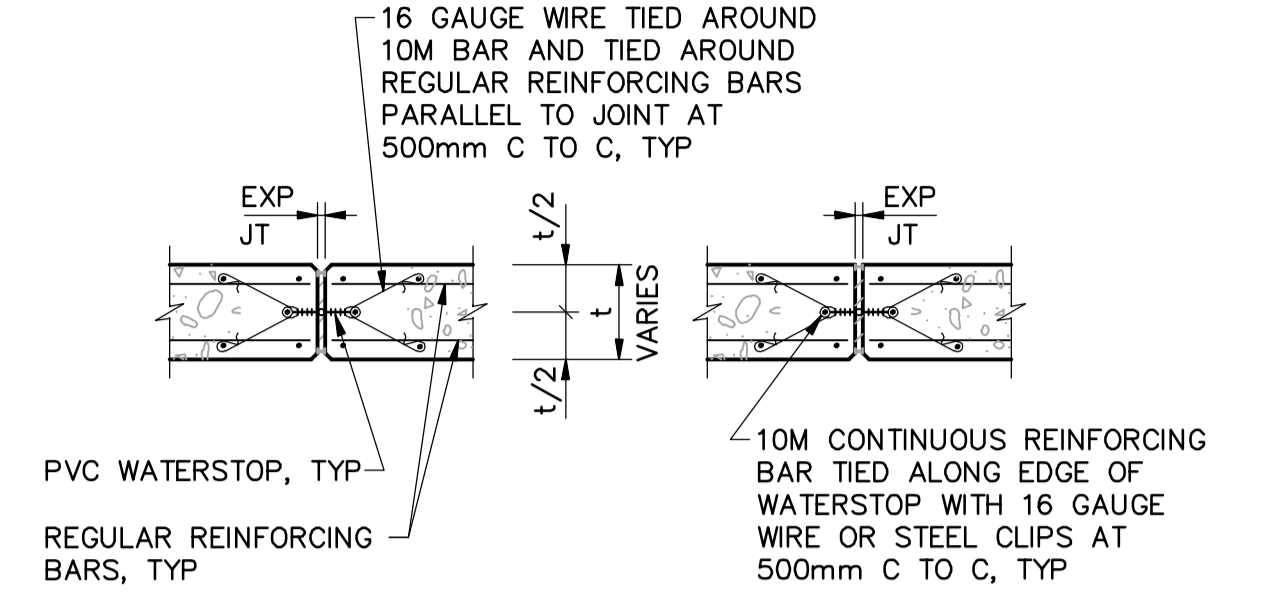
1 SLAB CONSTRUCTION JOINT AT WALL
 - N.T.S.



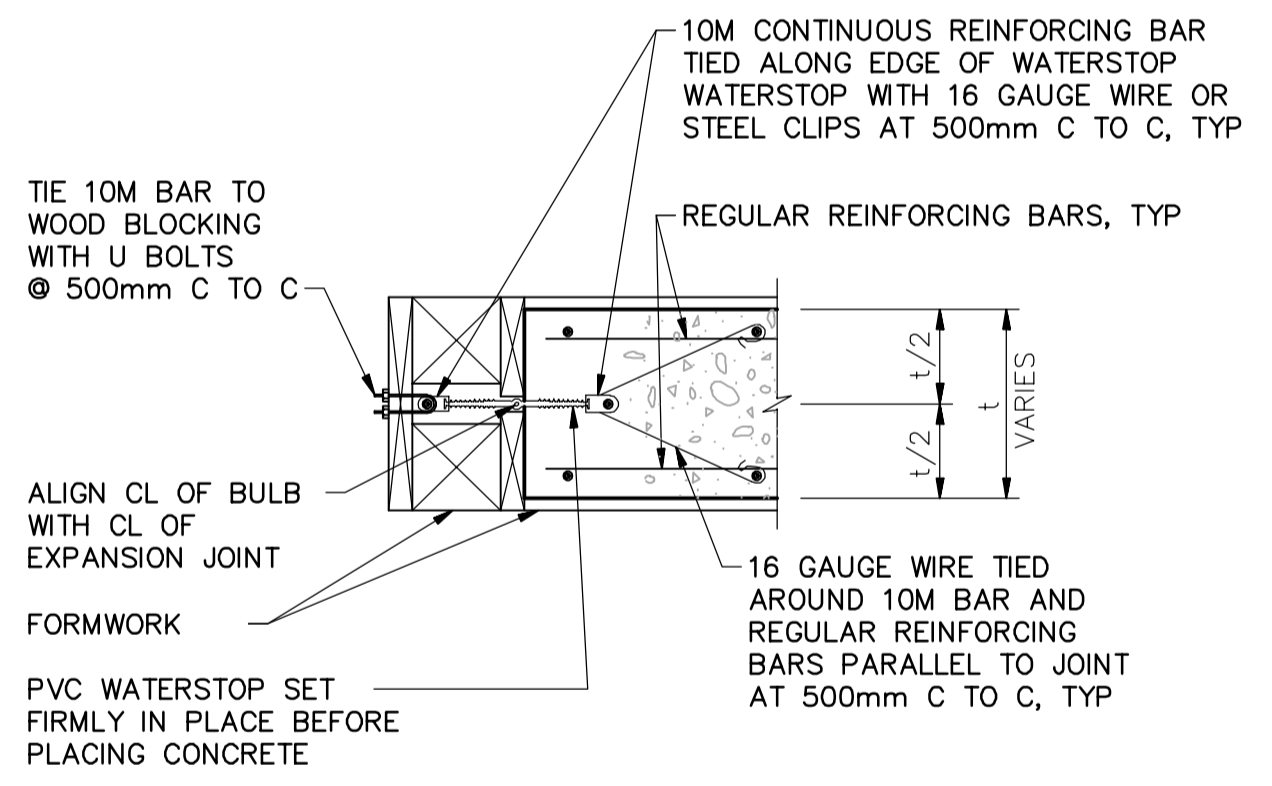
NOTE:
 FOR USE IN NON-MOVING CONSTRUCTION JOINTS AND ONLY WHERE SPECIFICALLY INDICATED ON PLANS.

GROUTING PROCEDURE:
 1. WAIT UNTIL NEW CONCRETE MINIMUM 28 DAYS OLD PRIOR TO GROUTING GROOVE.
 2. ROUGHEN AND CLEAN SURFACES OF GROOVE WITH POWER WIRE BRUSH OR SANDBLASTING.
 3. SATURATE AREA FOR 24 HOURS PRIOR TO GROUTING.
 4. DRY PACK WITH TYPE II NON-SHRINK GROUT.
 5. USE STEEL HAMMER AND STEEL TOOL TO DENSELY PACK GROUT INTO GROOVE.
 6. WATER CURE GROUT FOR 4 DAYS MINIMUM.

2 HYDROPHILIC/GROOVE WATERSTOP
 - N.T.S.

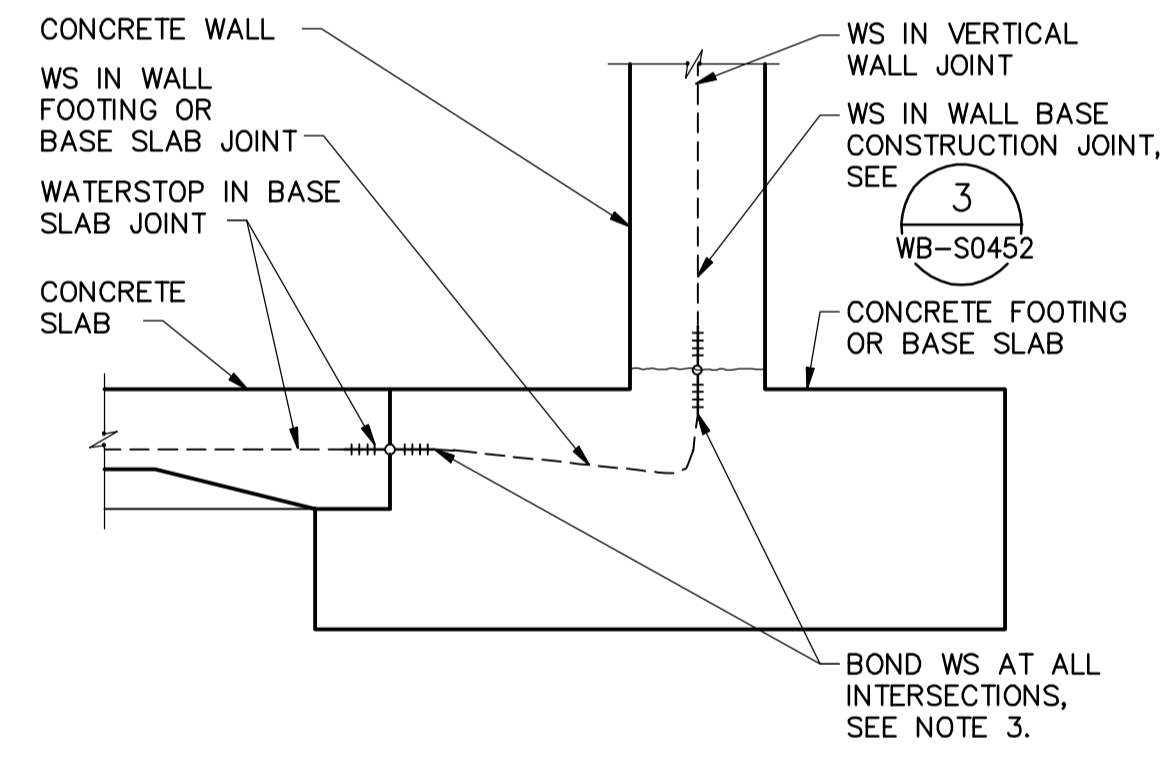


3 WATERSTOP ANCHORAGE WITH REINFORCING IN BOTH FACES
 - N.T.S.



PLAN - WALLS
SECTION - SLABS (SIM. - NO FORMWORK)

4 WATERSTOP ANCHORAGE FOR FIRST PLACEMENT
 - N.T.S.



NOTES:
 1. SUBMIT DETAILS OF SPlicing AND LOCATION.
 2. BOND OR SPLICE ALL HORIZONTAL TRANSVERSE WATERSTOPS IN BASE SLAB JOINTS TO CONTINUOUS LONGITUDINAL WATERSTOP IN WALL BASE FOR COMPLETE SEAL.
 3. BOND OR SPLICE ALL VERTICAL WATERSTOPS IN WALL JOINTS TO LONGITUDINAL WATERSTOP IN WALL BASE FOR COMPLETE SEAL.
 4. FOR PVC WATERSTOP DETAILS, SEE

5 WATERSTOP CONNECTION
 - N.T.S.

 Certificate of Authorization CH2M HILL Canada Ltd. No. 1441 Expiry: April 30, 2006	B.M. ELEV.	 Frederickson Cooper ARCHITECTS	 A Geo International Ltd. Company	ENGINEER'S SEAL	 THE CITY OF WINNIPEG WATER AND WASTE DEPARTMENT ENGINEERING DIVISION WATER TREATMENT PLANT FOUNDATIONS AND CONCRETE STRUCTURES STRUCTURAL STANDARD DETAILS	CITY FILE NUMBER	
	DESIGNED BY DK			CHECKED BY AP		ORIGINAL SIGNED BY D. KRUGER	SHEET OF
	DRAWN BY PT			APPROVED BY DJT		2006/02/06	CITY DRAWING NUMBER
	SCALE: NTS			RELEASED FOR CONSTRUCTION BY: R. SOROKOWSKI		CONSULTANT DRAWING NO. WB-S0455	1-060B-A-S0455-001-00D
00 ISSUED FOR TENDER	2006/02/03 DK	DATE 2005/08/31	DATE 2006/02/08				