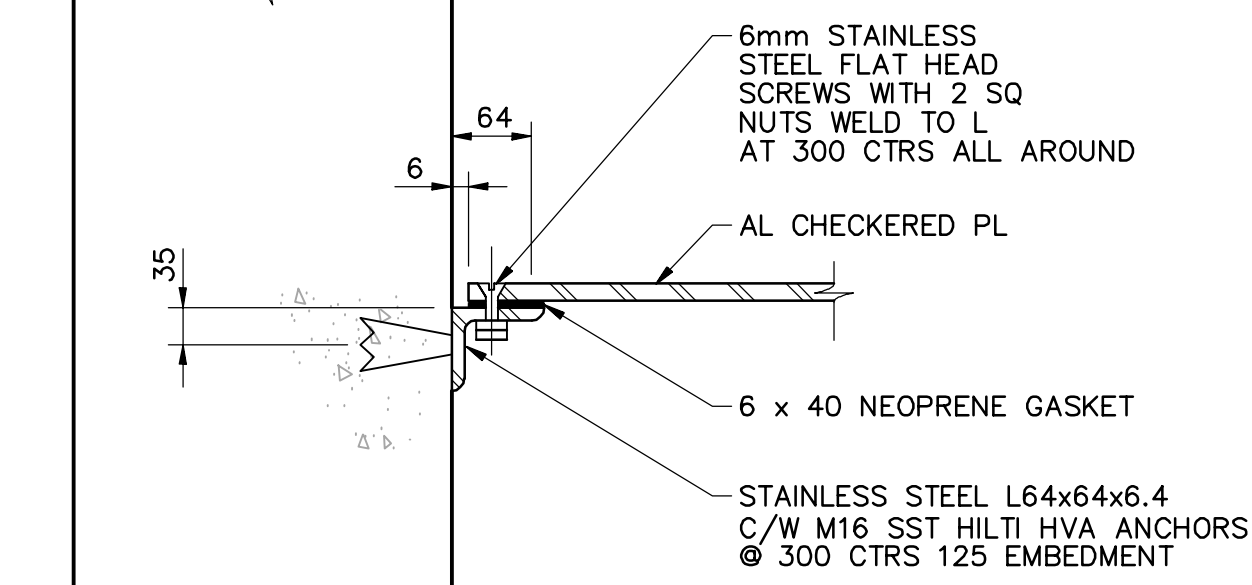


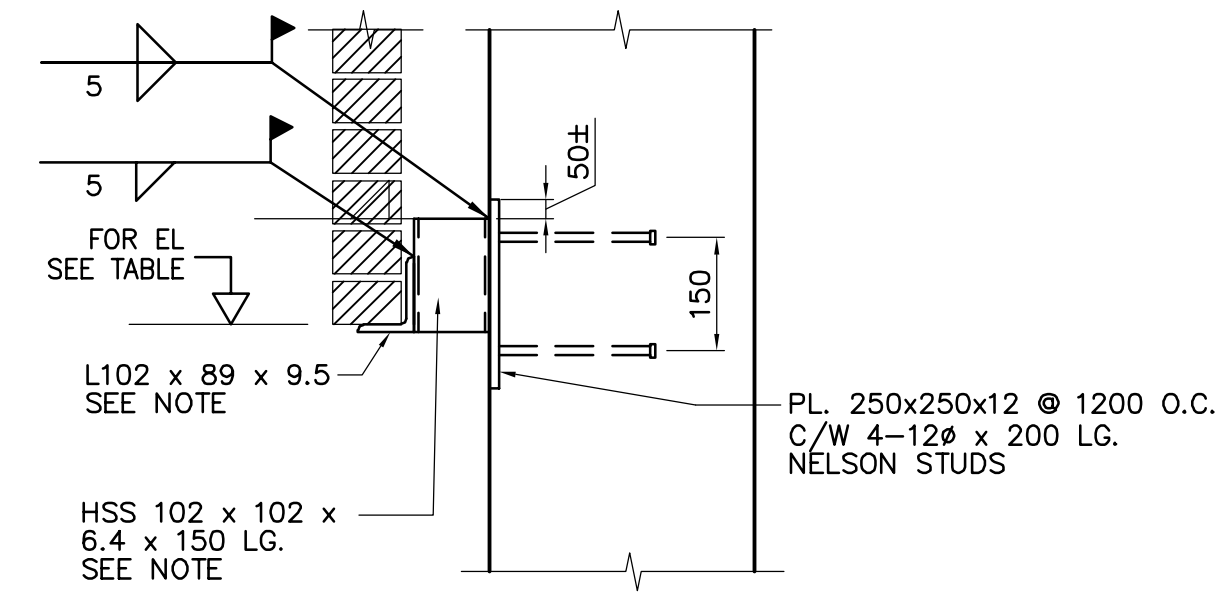
- NOTES**
1. INSTALL SST CHAIN. TACK WELD OR BOLT TO PL AND FRAME. CHAIN TO STOP PL AT 20° PAST VERTICAL.
 2. HINGES TO BE STAINLESS STEEL FULL MORTISE BUTT HINGES WITH STAINLESS STEEL BOLTS.
 3. MAX WEIGHT TO BE 35 kg.
 4. SEE LIFTING EYE DETAILS AND PLANS FOR TYPE.

1 CHECKERED ALUMINUM HINGED FLOOR PLATE
N.T.S.



NOTE:
THE DETAIL IS APPLICABLE FOR AIR TIGHT COVERS.

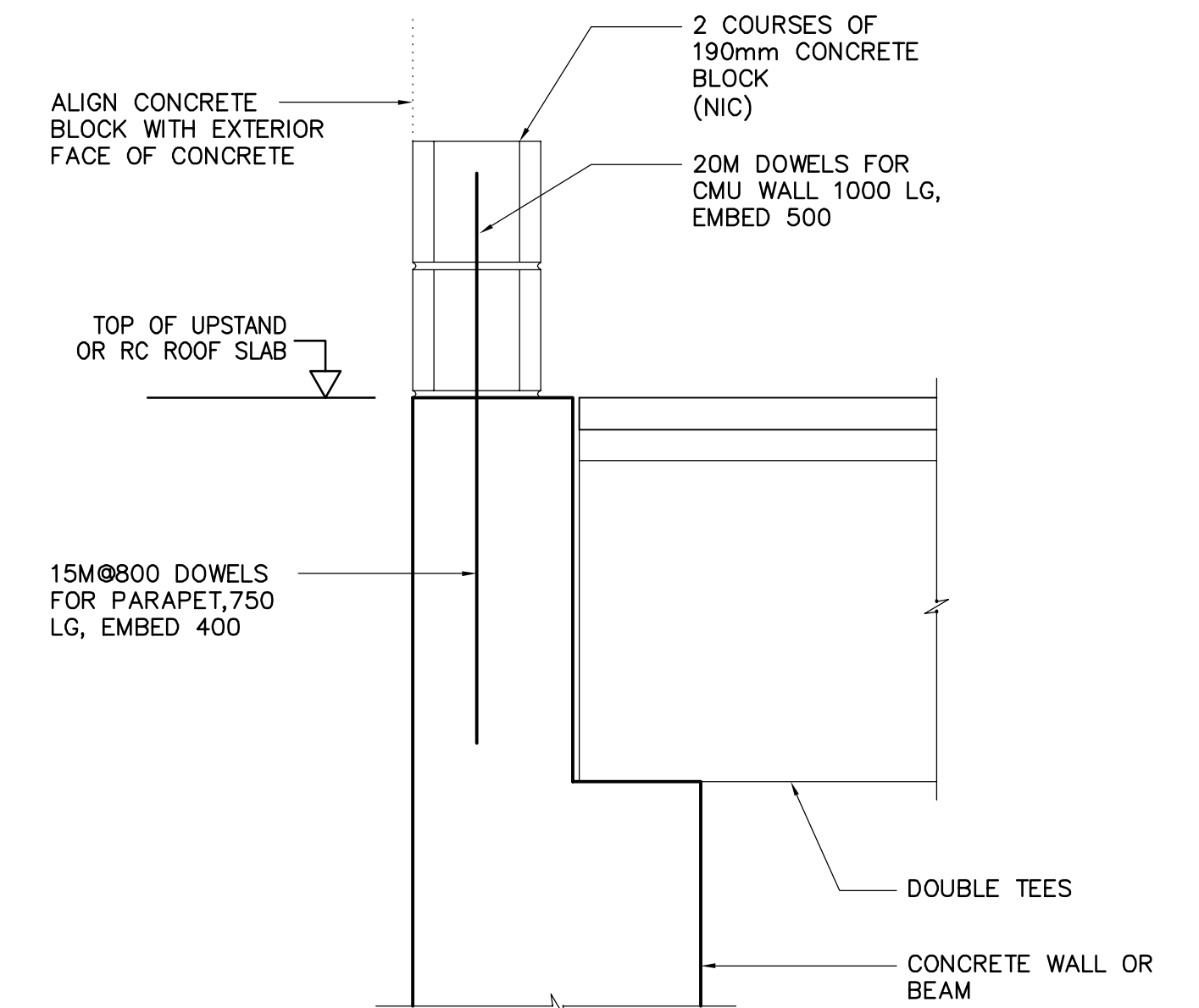
2 CHECKERED ALUMINUM HINGED FLOOR PLATE
N.T.S.



LOCATION	ELEVATION
NORTH ELEVATION	237.170
WEST ELEVATION	237.170
SOUTH ELEVATION FROM B1 - BN TO SE CORNER	236.670
EAST ELEVATION FROM SE CORNER TO BC FROM BC TO NE CORNER	236.670 237.170

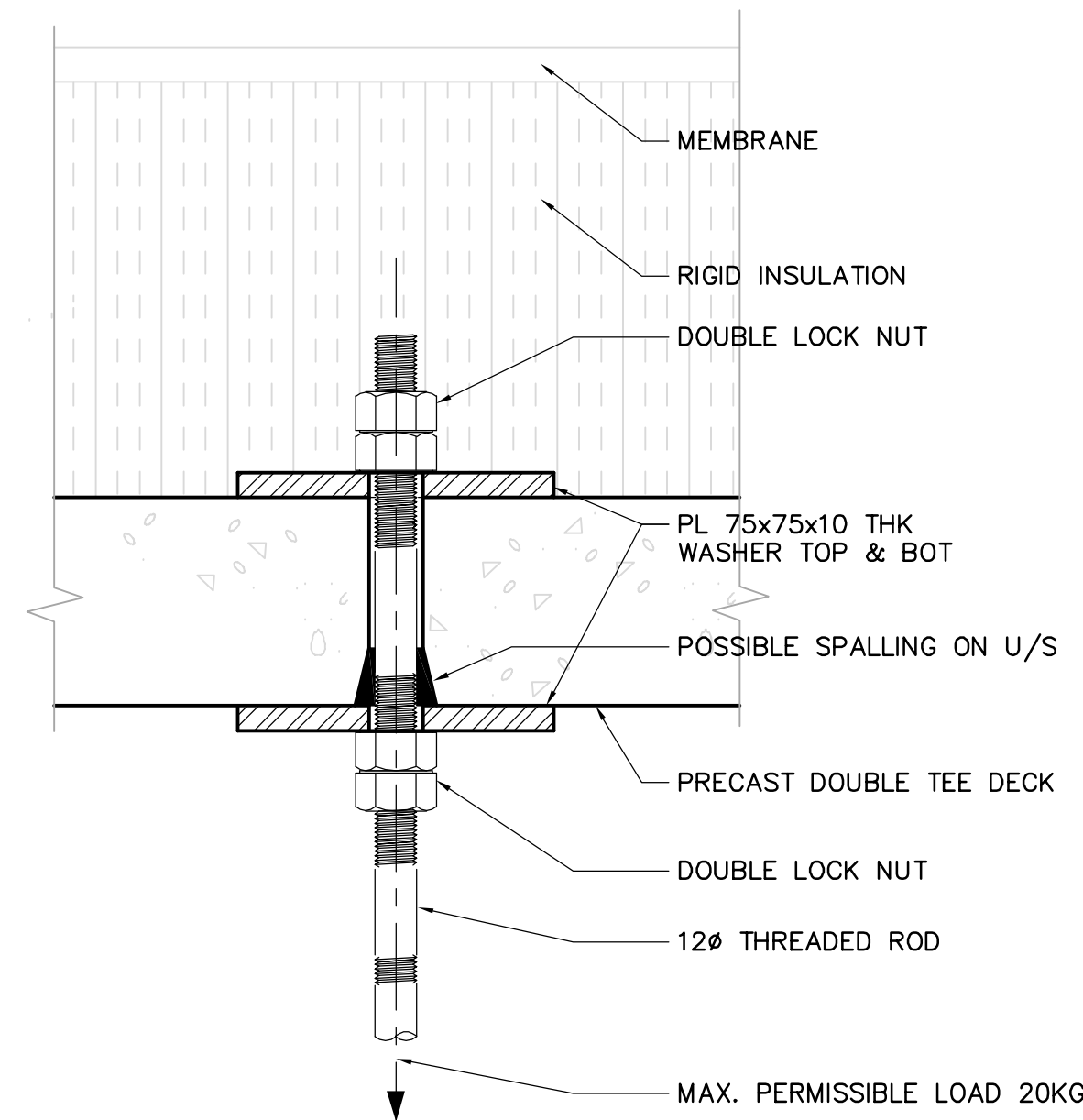
NOTE:
ANGLE AND HSS TO BE SUPPLIED IN THIS CONTRACT AND INSTALLED IN SEPARATE CONTRACT.

3 MASONRY SUPPORT AT FOUNDATION
N.T.S.

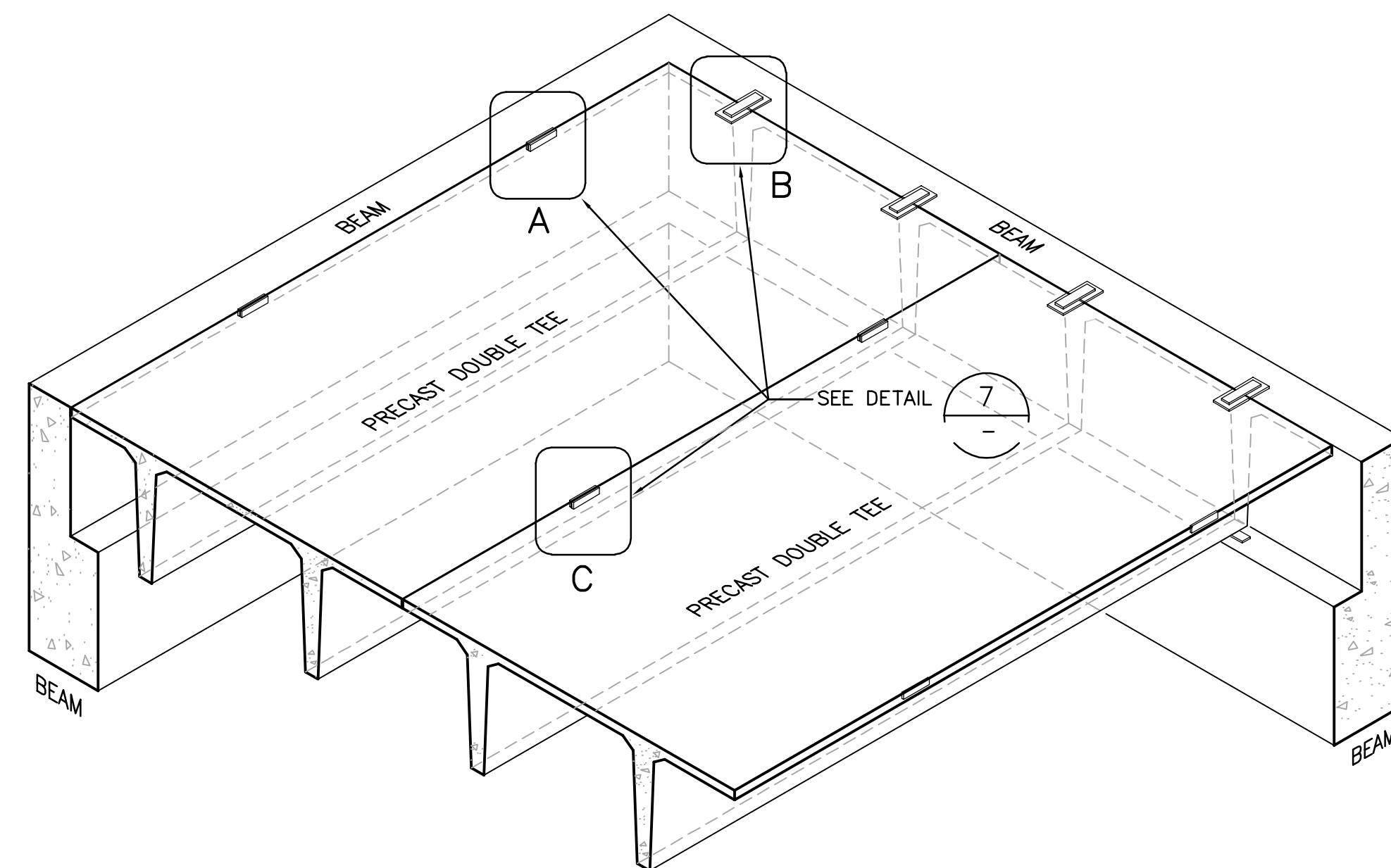


- NOTES:**
1. DOWELS TO BE PROVIDED AND INSTALLED IN THIS CONTRACT.
 2. COORDINATE LOCATION OF CMU WALL DOWELS WITH CONTRACT ADMINISTRATOR.

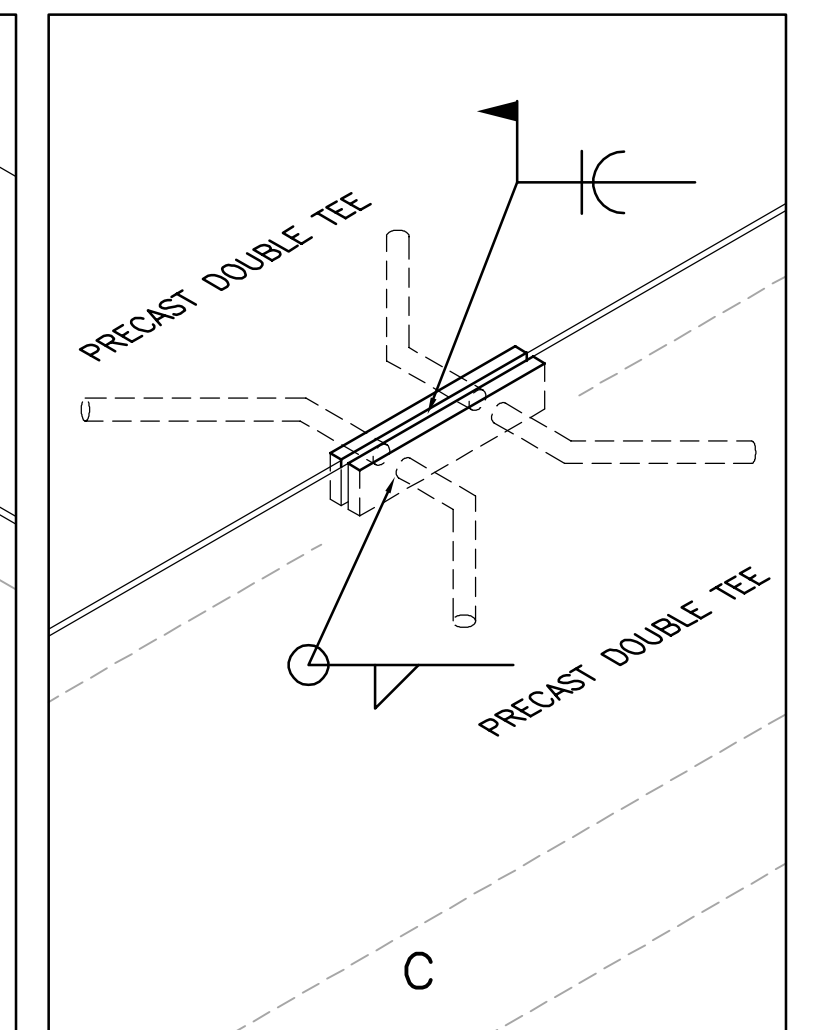
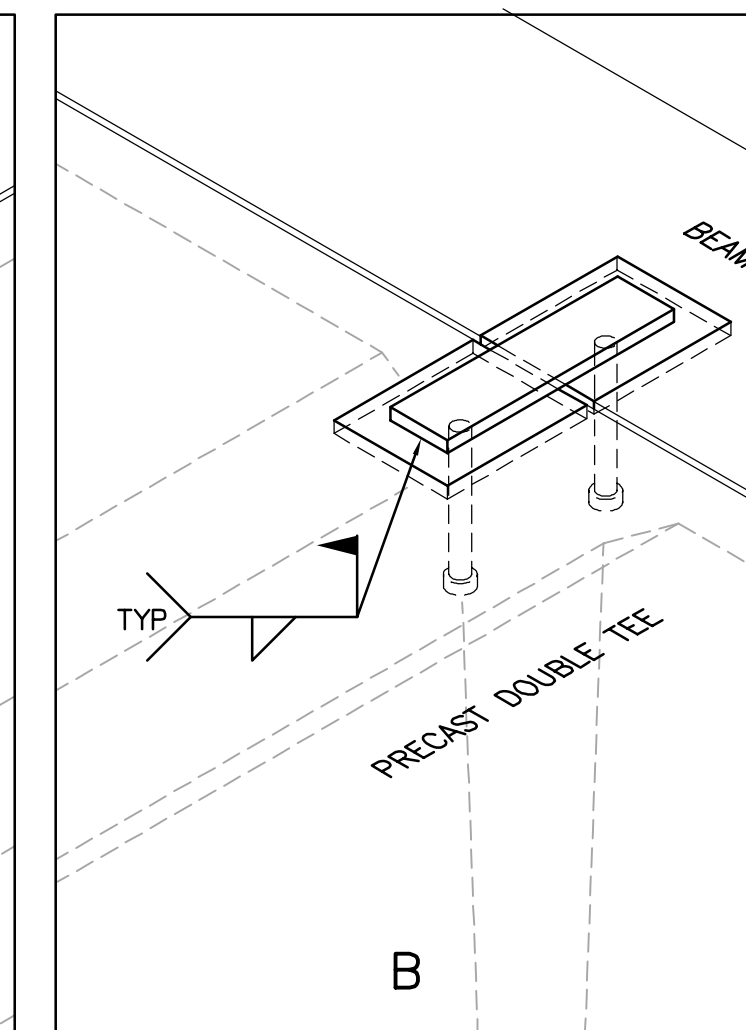
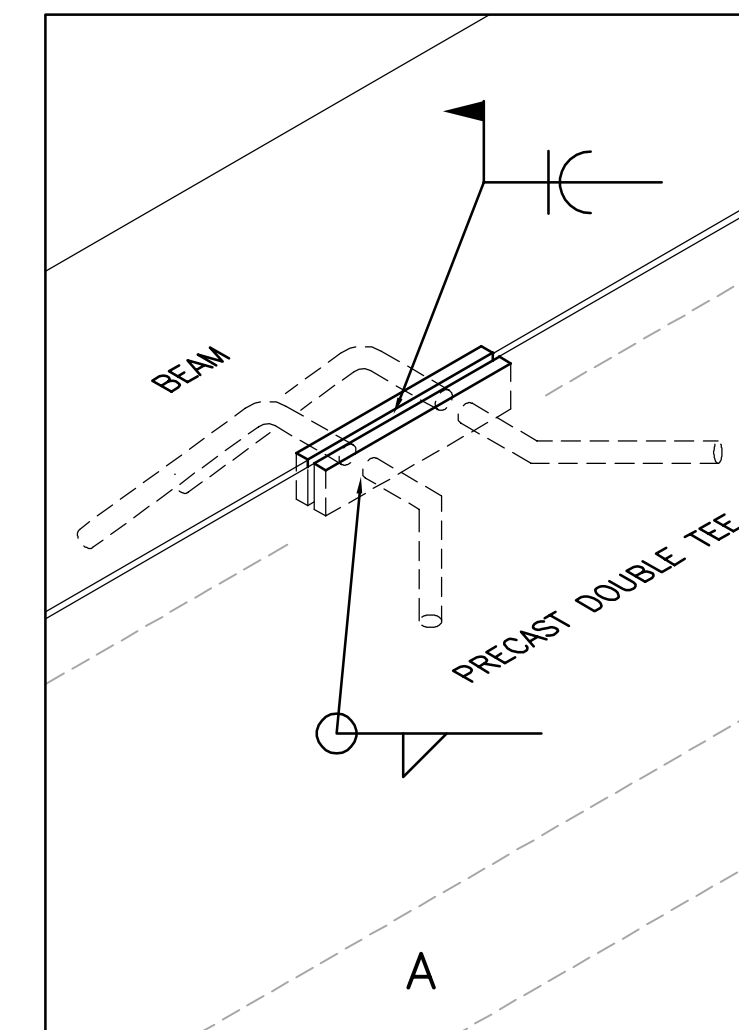
4 PARAPET AND CMU WALL DOWEL
N.T.S.



5 HANGER IN DOUBLE TEE
N.T.S.



6 DOUBLE TEE CONNECTION
N.T.S.



- NOTES:**
1. ALL EXPOSED PLATES, ANGLES, ETC. TO BE HOT-DIPPED GALVANIZED
 2. TOUCH UP ALL WELDS WITH ZINC-RICH PRIMER UPON COMPLETION
 3. ALL MATERIAL IN DOUBLE-TEE CONNECTIONS TO BE A304 STAINLESS STEEL (TYP)

7 DETAIL
N.T.S.

<p>Certificate of Authorization CH2M HILL Canada Ltd. No. 1441 Expiry: April 30, 2006</p>	B.M. ELEV.	<p>Frederickson Cooper ARCHITECTS</p>	<p>A Geo International Ltd. Company</p>	ENGINEER'S SEAL	<p>THE CITY OF WINNIPEG WATER AND WASTE DEPARTMENT ENGINEERING DIVISION</p>
		DESIGNED BY DK	CHECKED BY AP	ORIGINAL SIGNED BY D. KRUGER	
		DRAWN BY PT	APPROVED BY DJT	2006/02/06	
		SCALE: NTS	RELEASED FOR CONSTRUCTION BY: R. SOROKOWSKI	CONSULTANT DRAWING NO. WB-S0464	
	00 ISSUED FOR TENDER 2006/02/03 DK	NO. REVISIONS DATE BY DATE 2005/08/31	DATE 2006/02/08		<p>WATER TREATMENT PLANT</p> <p>FOUNDATION AND CONCRETE STRUCTURES</p> <p>STRUCTURAL</p> <p>STANDARD DETAILS</p>
					<p>CITY FILE NUMBER</p> <p>SHEET OF</p> <p>CITY DRAWING NUMBER</p> <p>1-060B-A-S0464-001-00D</p>