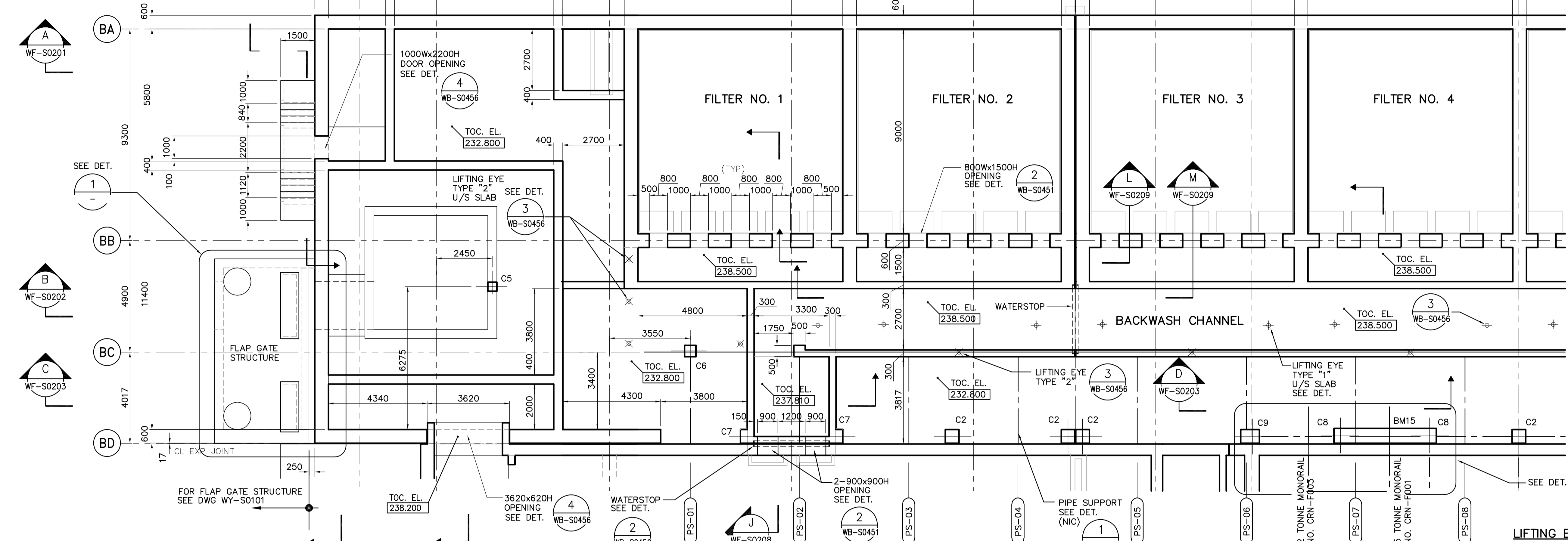
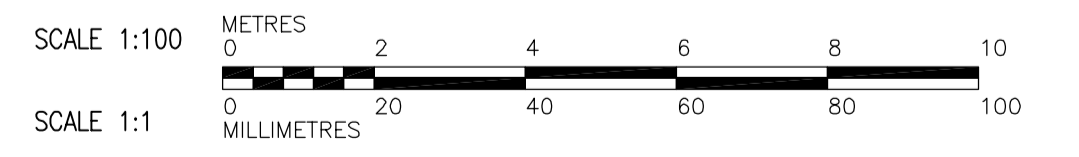
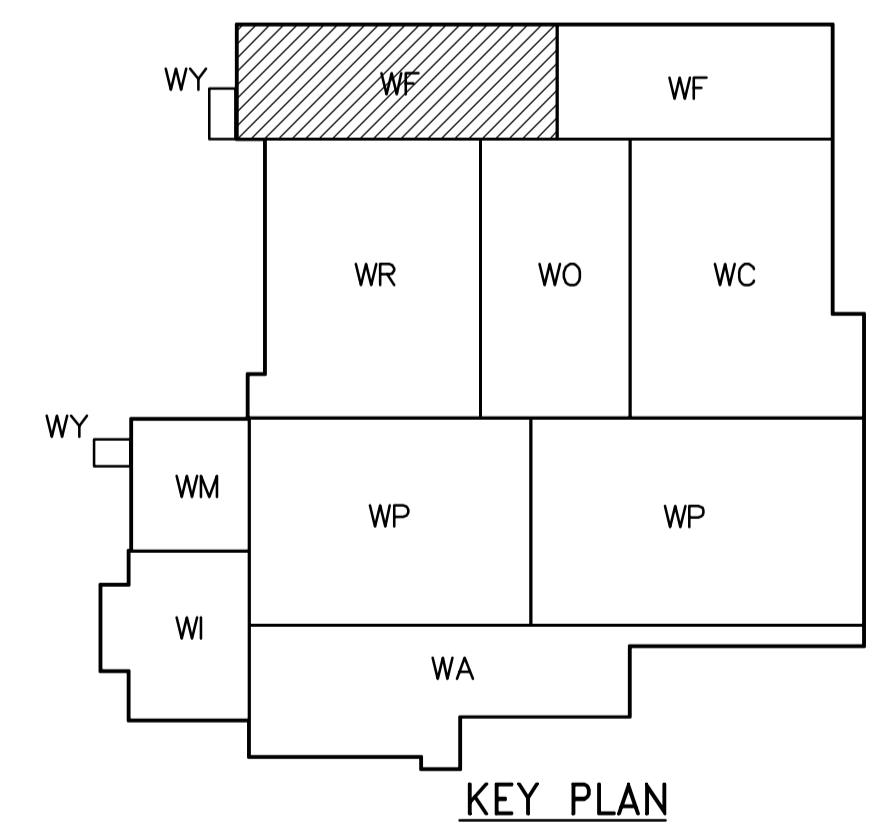
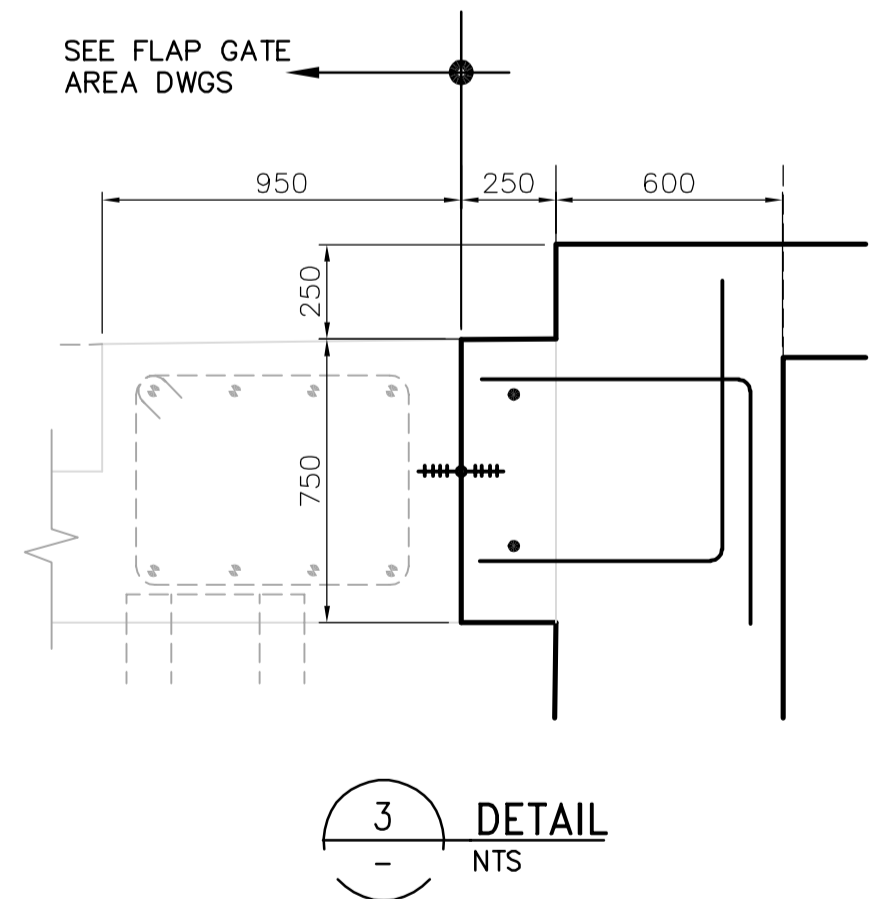
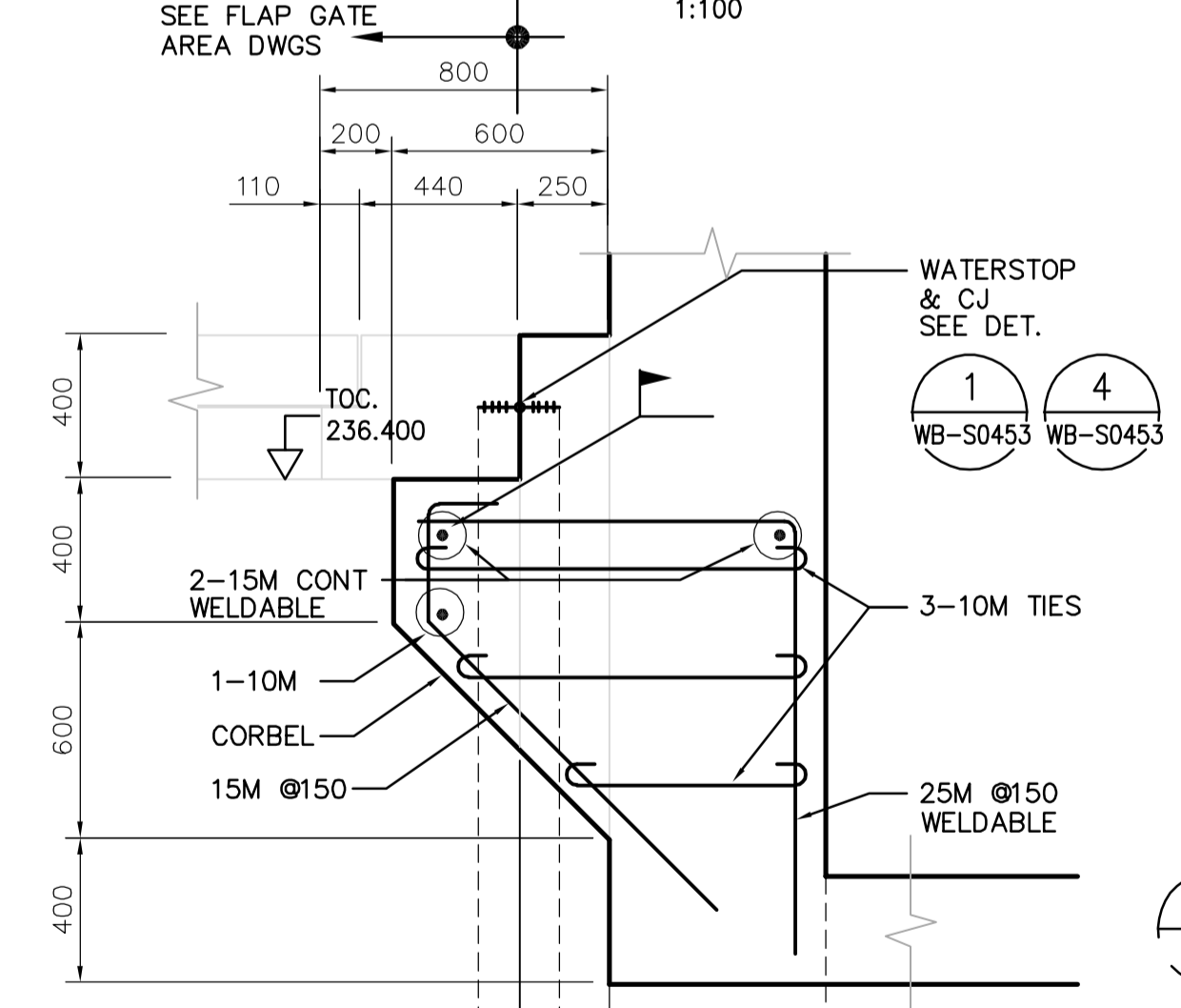
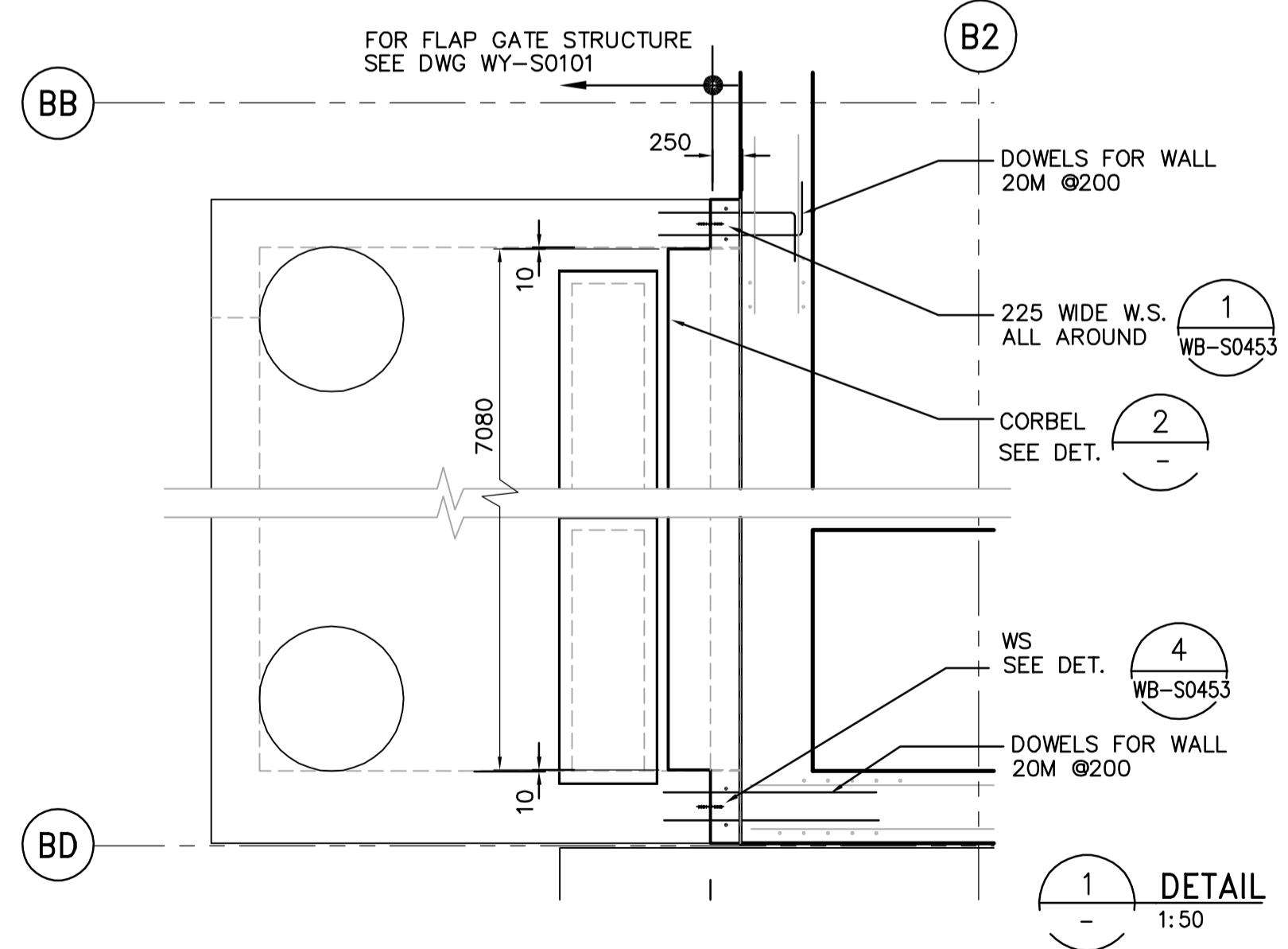


- NOTES:**
- EMBEDDED PLATE FOR PIPE SUPPORTS SEE DET.
 - ONLY EMBEDDED PLATES FOR PIPE SUPPORT AND MONORAIL ARE IN THIS CONTRACT.
 - PS-XX SHOWN FOR INFORMATION ONLY.
 - MONORAIL BEAMS SHOWN FOR INFORMATION ONLY.



LOWER CHANNEL AT EL 238.500
1:100

LIFTING EYE
 ⊕ TYPE "1" (900 kg)
 ⊗ TYPE "2" (1800 kg)



| | | | | | | |
|--|------------------------------------|---|--|--|--|------------------|
| Certificate of Authorization CH2M HILL Canada Ltd. No. 1441 Expiry: April 30, 2006 | B.M. ELEV. | Frederickson Cooper ARCHITECTS | A Veolia International Ltd. Company | ENGINEER'S SEAL ORIGINAL SIGNED BY D. KRUGER 2006/02/06 | THE CITY OF WINNIPEG WATER AND WASTE DEPARTMENT ENGINEERING DIVISION WATER TREATMENT PLANT FILTRATION FOUNDATIONS AND CONCRETE STRUCTURES STRUCTURAL FILTRATION AREA 1 LOWER CHANNEL PLAN | CITY FILE NUMBER |
| | 00 ISSUED FOR TENDER 2006/02/03 KA | DESIGNED BY KA DRAWN BY PM SCALE: 1:100 | CHECKED BY AP APPROVED BY DJT RELEASED FOR CONSTRUCTION BY: R. SOROKOWSKI | CONSULTANT DRAWING NO. WF-S0117 | | SHEET OF |
| | NO. REVISIONS DATE BY | DATE 2005/08/10 | DATE 2006/02/08 | CITY DRAWING NUMBER 1-060F-A-3017-001-00D | | |
| | | | | | | |