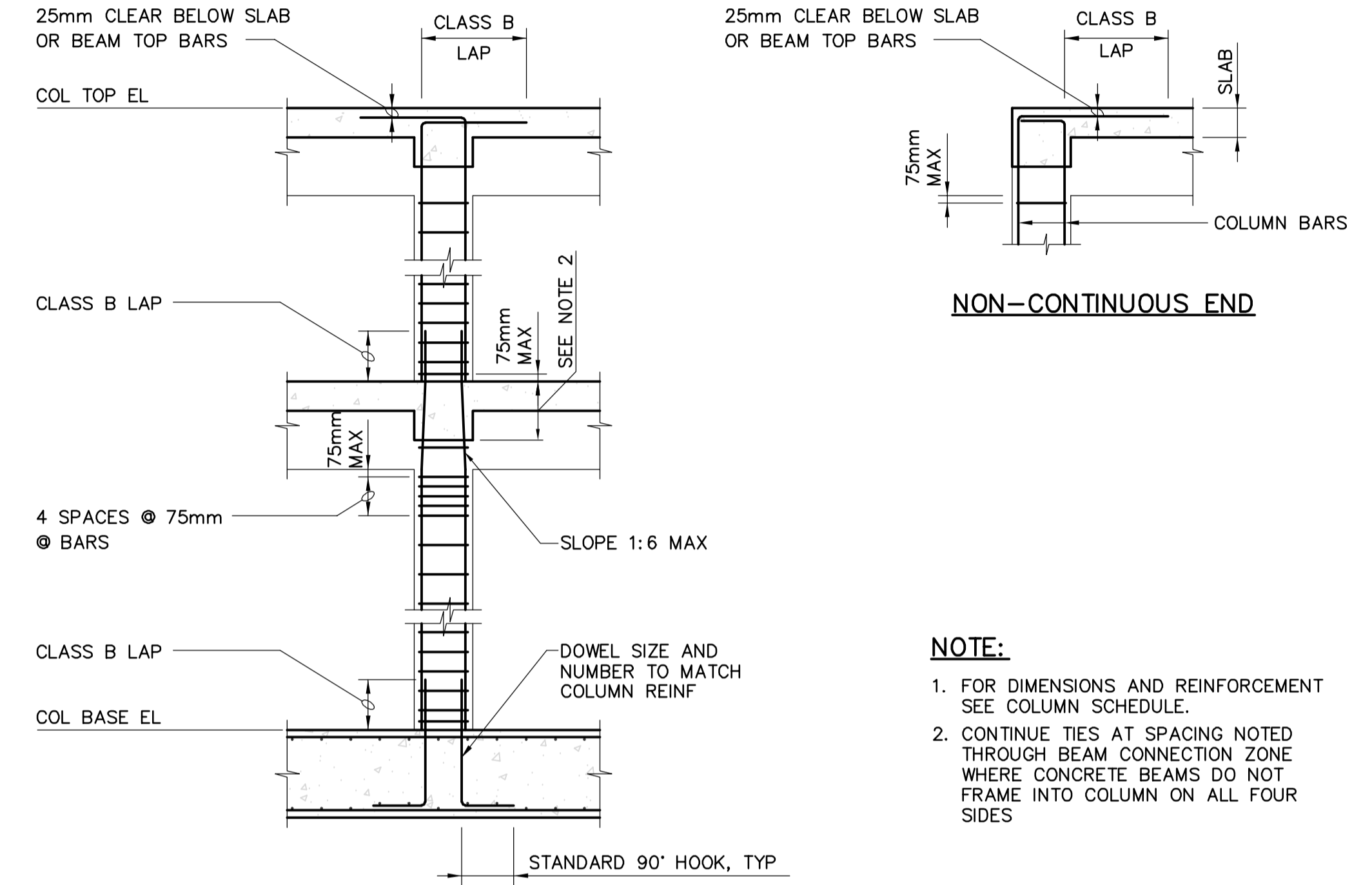


- NOTES:
- PLACE TOP (T & TC) AND BOTTOM (B & BC) BARS IN MULTIPLE ROWS ONLY WHERE INDICATED IN SCHEDULE.
  - WHEN INDICATED IN BEAM SCHEDULE, SUBSTITUTE CLOSED TIES (□) FOR STIRRUPS AND CLOSURE BARS SHOWN (□).

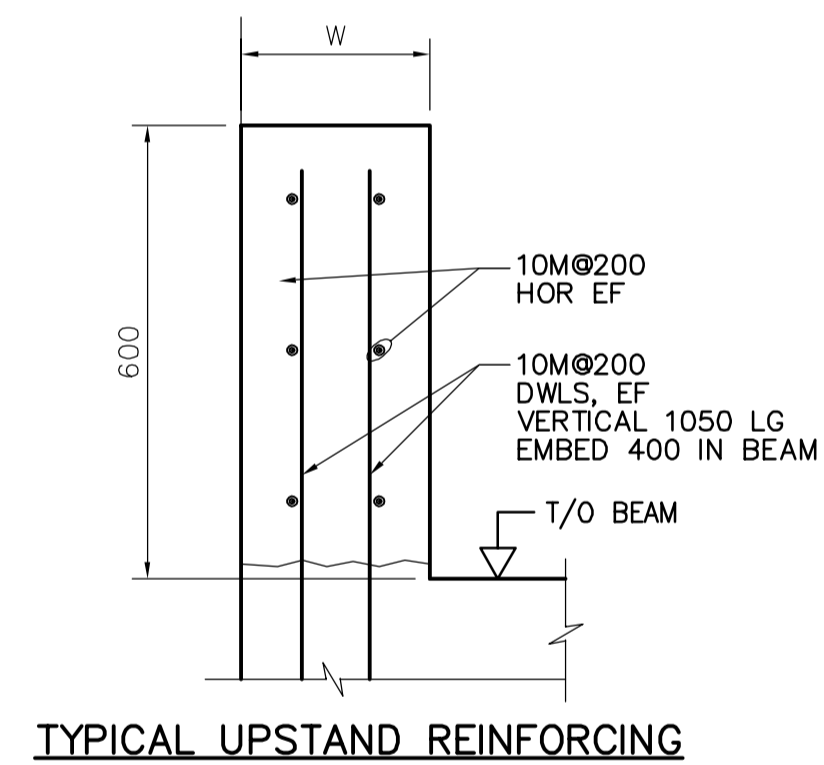
NOTE: PROVIDE MINIMUM 1 - 15M CONTINUOUS AT EACH CORNER OF STIRRUPS.

**BEAM REINFORCING**



- NOTE:
- FOR DIMENSIONS AND REINFORCEMENT SEE COLUMN SCHEDULE.
  - CONTINUE TIES AT SPACING NOTED THROUGH BEAM CONNECTION ZONE WHERE CONCRETE BEAMS DO NOT FRAME INTO COLUMN ON ALL FOUR SIDES

**COLUMN REINFORCING**



**TYPICAL UPSTAND REINFORCING**

- NOTES:
- \* TOP REINFORCING MAY BE CALLED-OUT TWICE IN SCHEDULE. (I.E. "TOP REINFORCING AT RIGHT SUPPORT" OF BEAM THAT IS CONTINUOUS OVER THE RIGHT SUPPORT IS CALLED-OUT AS "TOP REINFORCING AT LEFT SUPPORT" OF ADJACENT BEAM.)
  - LEFT SUPPORT IS DESIGNATED AS THE SUPPORT CLOSEST TO THE LEFT SIDE OR BOTTOM OF SHEET ON WHICH FRAMING PLAN IS DRAWN, UNLESS NOTED OTHERWISE ON PLAN.
  - FOR CONCRETE BEAM END DETAIL, SEE 3 / WB-S0451 TYP. UNO

COLUMN TYPE	SIZE	VERTICAL REINF.	TIES	REMARKS
C1	400x400	8-20M	2-10M @ 200	18 RQD
C2	600x300	8-20M	2-10M @ 200	1 RQD
C3	400x400	4-25M	10M @ 300	1 RQD

**COLUMN SCHEDULE**

3  
-  
DETAIL  
N.T.S.

BEAM NO. (SEE PLANS)	SIZE		TOP REINF. AT LEFT SUPPORT		BOTTOM REINF		* TOP REINF. AT RIGHT SUPPORT		S BARS	SHEAR REINF (MM)		REMARKS
	W	D	T	TC	B	BC	T	TC		NO. SIZE	SPACING FROM LEFT SUPPORT	
MB1	-	-	-	-	-	-	-	-	-	-	-	NOT USED
MB2	600	1150	6-25M	6-25M	-	6-25M	6-25M	6-25M	2-20M	10M	200	
MB3	600	1150	6-25M	6-25M	-	6-25M	6-25M	6-25M	2-20M	10M	200	
MB4	600	1150	-	6-25M	-	6-25M	-	6-25M	2-20M	10M	200	
MB5	600	1150	-	6-25M	-	6-25M	-	6-25M	2-20M	10M	200	
MB6	883	1150	-	6-25M	-	6-25M	-	6-25M	2-20M	10M	200	
MB7	600	1150	-	6-25M	-	6-25M	-	6-25M	2-20M	10M	200	
MB8	400	500	2-25M	2-25M	-	2-25M	2-25M	2-25M	-	10M	300	
B1	400	950	-	4-25M	-	4-25M	-	4-25M	2-20M	10M	200	
B2	400	950	-	6-25M	-	4-25M	-	6-25M	2-20M	10M	200	
B3	400	950	-	4-25M	-	4-25M	-	4-25M	2-20M	10M	200	
B4	400	950	-	4-25M	-	4-25M	-	4-25M	2-20M	10M	200	
B5	400	950	-	4-25M	-	4-25M	-	4-25M	2-20M	10M	200	
B6	600	1150	10-30M	4-30M	-	8-30M	10-30M	4-30M	2-20M	2-10M	200	
B7	600	1150	10-30M	4-30M	-	8-30M	10-30M	4-30M	2-20M	2-10M	200	
B8	600	1150	12-30M	4-30M	-	8-30M	12-30M	4-30M	2-20M	2-10M	200	PLACE "T" AND "BC" BARS IN LAYERS TO AVOID CONGESTION
B9	600	1150	12-30M	4-30M	-	8-30M	12-30M	4-30M	2-20M	2-10M	200	
B10	400	950	-	4-25M	-	4-25M	-	4-25M	2-20M	10M	200	200W x 600H UPSTAND
B11	400	950	-	4-25M	-	4-25M	-	4-25M	2-20M	10M	200	
B12	400	950	-	4-25M	-	4-25M	-	4-25M	2-20M	10M	200	200W x 600H UPSTAND
B13	400	950	-	4-25M	-	4-25M	-	4-25M	2-20M	10M	200	200W x 600H UPSTAND

**BEAM SCHEDULE**



B.M. ELEV.					
DESIGNED BY	KA	CHECKED BY	AP		
DRAWN BY	IV	APPROVED BY	DJT		
SCALE:	NTS	RELEASED FOR CONSTRUCTION BY:	R. SOROKOWSKI		
00 ISSUED FOR TENDER	2006/02/03	DATE	2005/08/10	DATE	2006/02/08

 Frederickson Cooper ARCHITECTS	 A Geo International Ltd. Company	ENGINEER'S SEAL ORIGINAL SIGNED BY D. KRUGER 2006/02/06	 <b>THE CITY OF WINNIPEG</b> WATER AND WASTE DEPARTMENT ENGINEERING DIVISION
WATER TREATMENT PLANT GENERAL PLANT SERVICES/MISCELLANEOUS FOUNDATIONS AND CONCRETE STRUCTURES		STRUCTURAL ELECTRICAL ROOM COLUMN AND BEAM SCHEDULES	CITY FILE NUMBER SHEET OF CITY DRAWING NUMBER <b>1-060M-D-30515-001-00D</b>