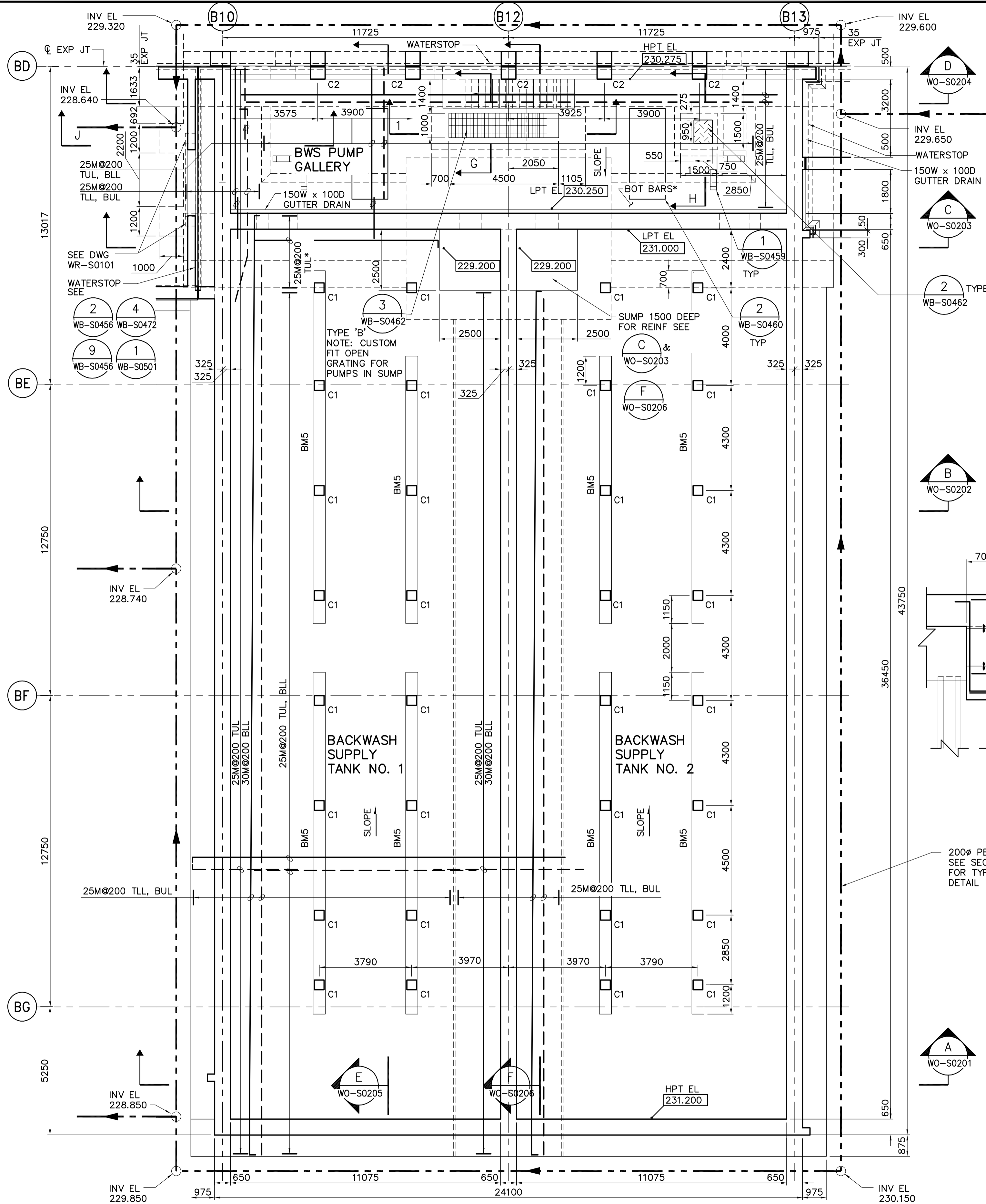
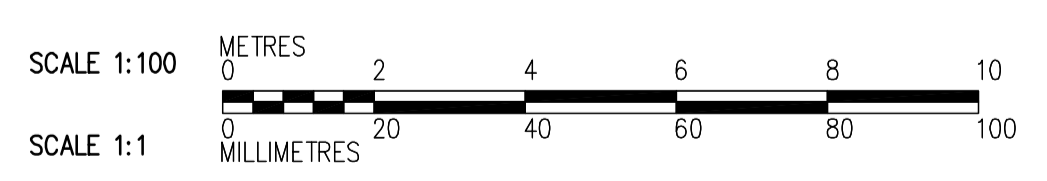
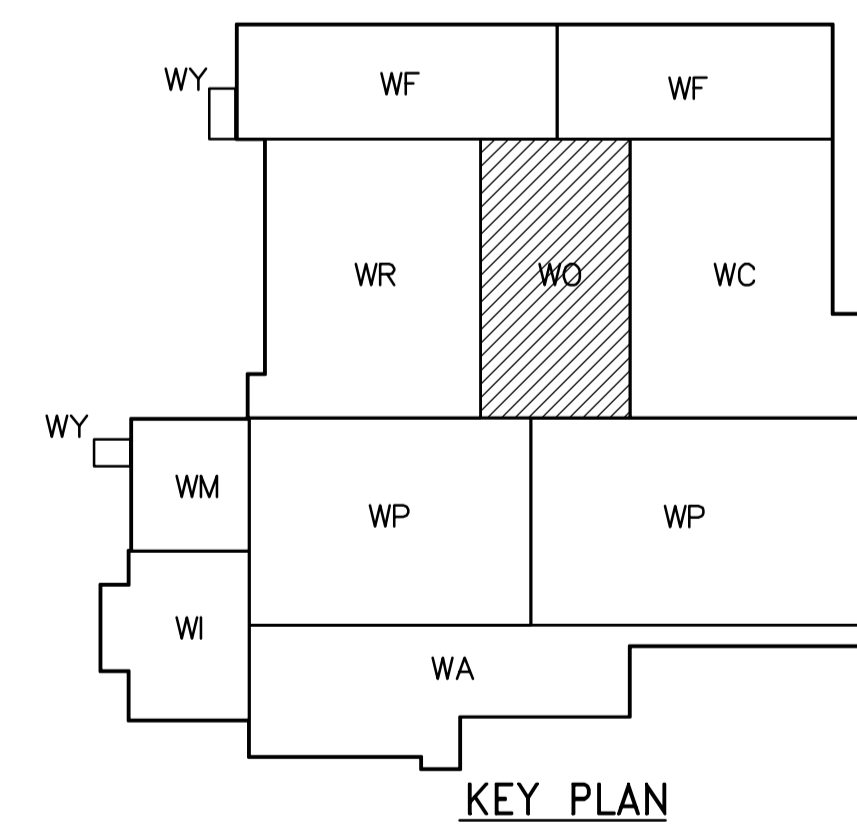
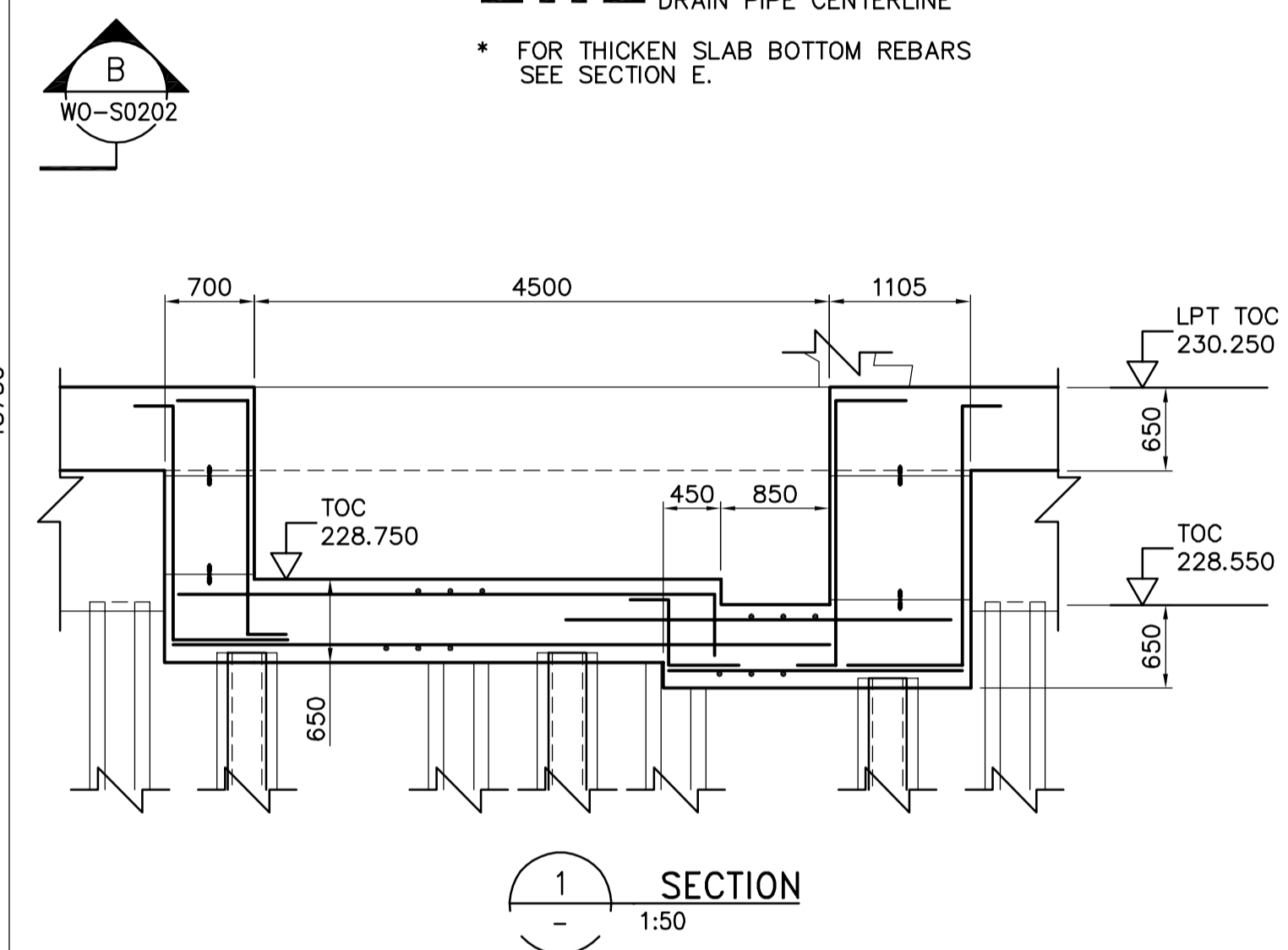


LOWER LEVEL PLAN
1:100



- NOTES:**
- FOR CORNER REINF SEE (4) WB-S0452
 - THE SLAB REBARS SHOWN ON PLAN ARE TYPICAL FOR BOTH TANK NO. 1 AND TANK NO. 2
 - FOR ALL OPENING REINFORCEMENT REFER TO (2) WB-S0451 AND FOR LOCATIONS SEE MECHANICAL DRAWINGS.
 - FOR WATER STOP REFER TO (1) WB-S0456
 - REFER TO PROCESS MECHANICAL DRAWINGS WO-M9131, WO-M9201, WO-M9202, WO-M9121 FOR PIPE EMBEDS.
 - FOR BEAM AND COLUMN SCHEDULES, SEE DRAWING WO-S0515.
 - ENCASE ALL PIPING UNDER BUILDING IN CONCRETE, SEE (1) (2) (4) WB-S0458 WB-S0458 WB-S0458
 - AT ANY VERTICAL CONSTRUCTION JOINTS IN THE TANK PERIMETER WALLS INCLUDING THE WALL BETWEEN THE TWO TANKS ALONG B12, USE 316 STAINLESS STEEL WATERSTOP FOR OZONE TANKS AND PVC WATERSTOP FOR BACKWASH SUPPLY TANKS.

- REBAR LEGEND:**
- TOP BARS
 - BOTTOM BARS
 - DRAIN PIPE CENTERLINE
- * FOR THICKEN SLAB BOTTOM REBARS SEE SECTION E.



<p>Certificate of Authorization CH2M HILL Canada Ltd. No. 1441 Expiry: April 30, 2006</p>	<p>Frederickson Cooper ARCHITECTS</p>	<p>A Geo International Ltd. Company</p>	ENGINEER'S SEAL	<p>THE CITY OF WINNIPEG WATER AND WASTE DEPARTMENT ENGINEERING DIVISION</p>	CITY FILE NUMBER
			DESIGNED BY: MH CHECKED BY: AP DRAWN BY: RL APPROVED BY: DJT SCALE: 1:100 RELEASED FOR CONSTRUCTION BY: R. SOROKOWSKI DATE: 2005/07/06		ORIGINAL SIGNED BY: D. KRUGER DATE: 2006/02/06 CONSULTANT DRAWING NO.: WO-S0101
00 ISSUED FOR TENDER 2006/02/03 MH NO. REVISIONS DATE BY DATE DATE			STRUCTURAL OZONATION AREA LOWER LEVEL PLAN	CITY DRAWING NUMBER 1-0600-A-3001-001-00D	