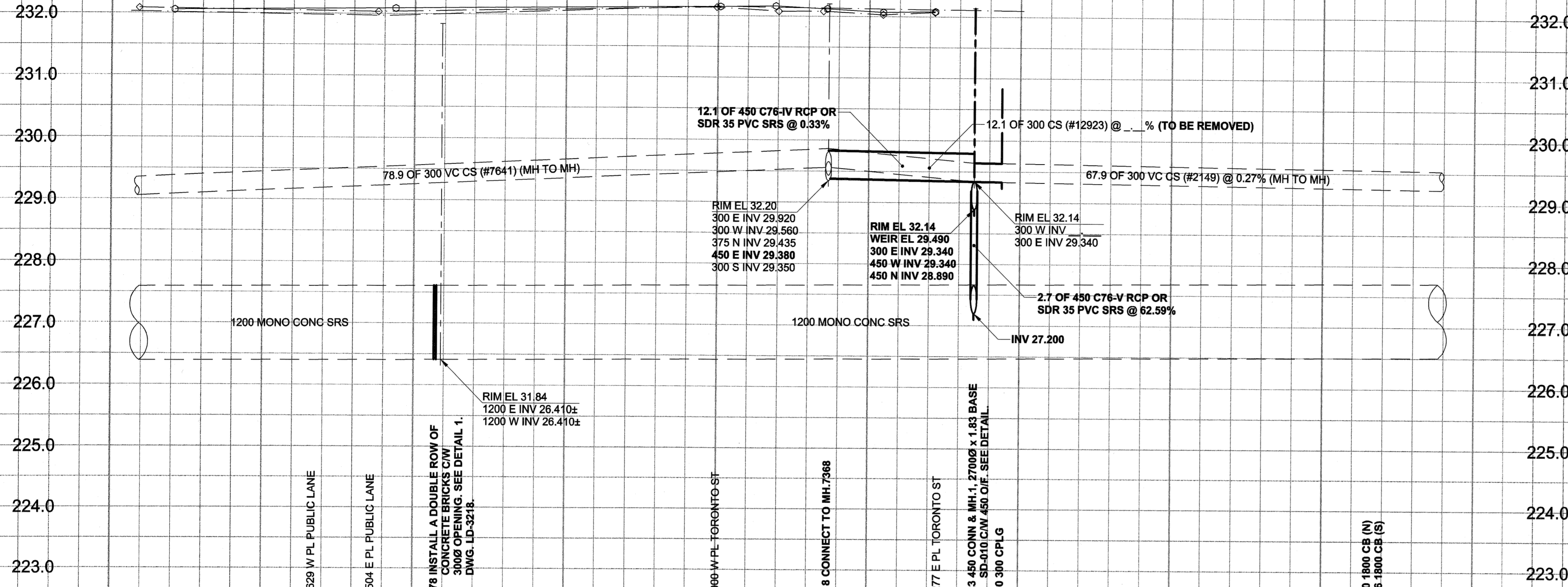
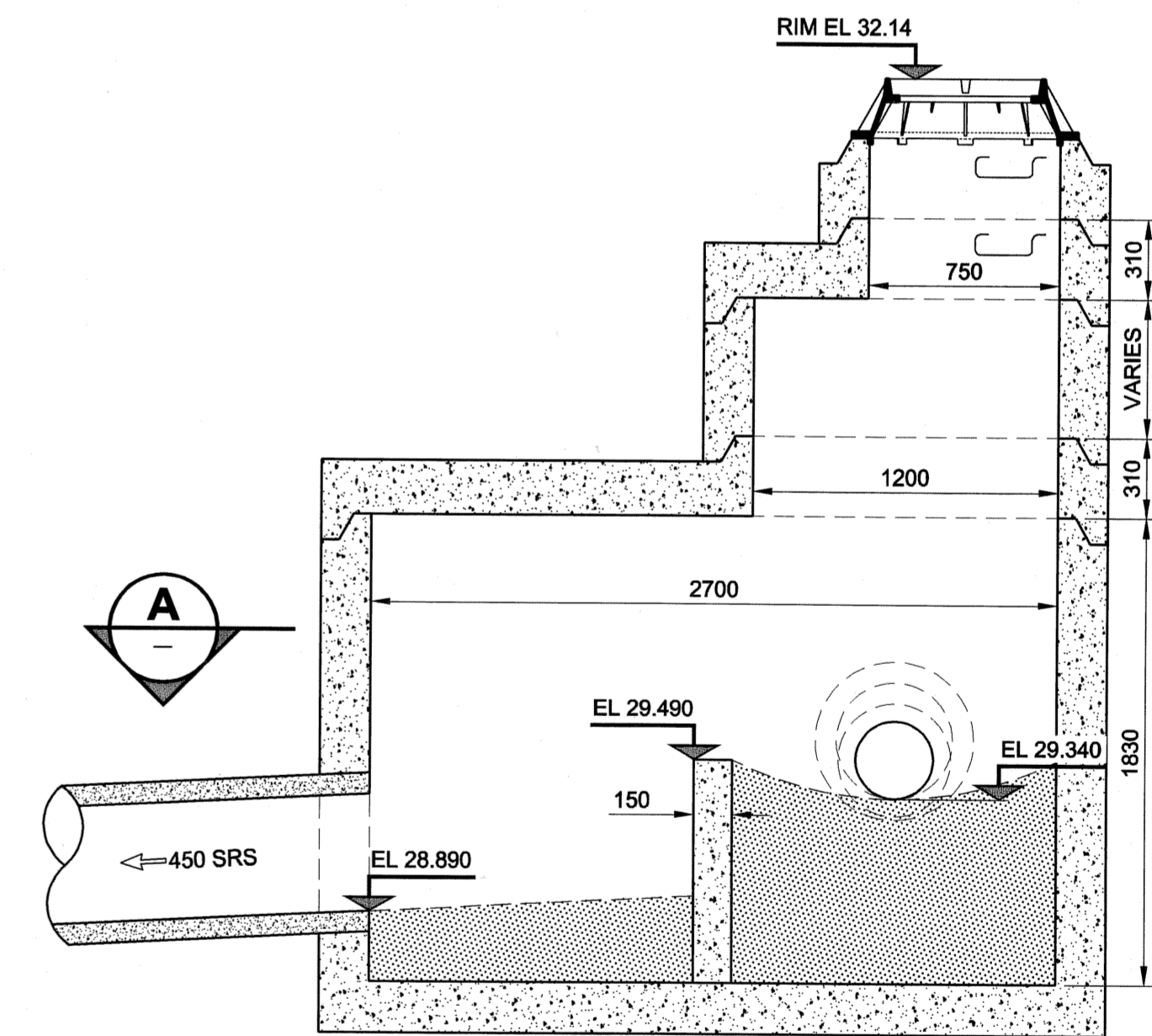
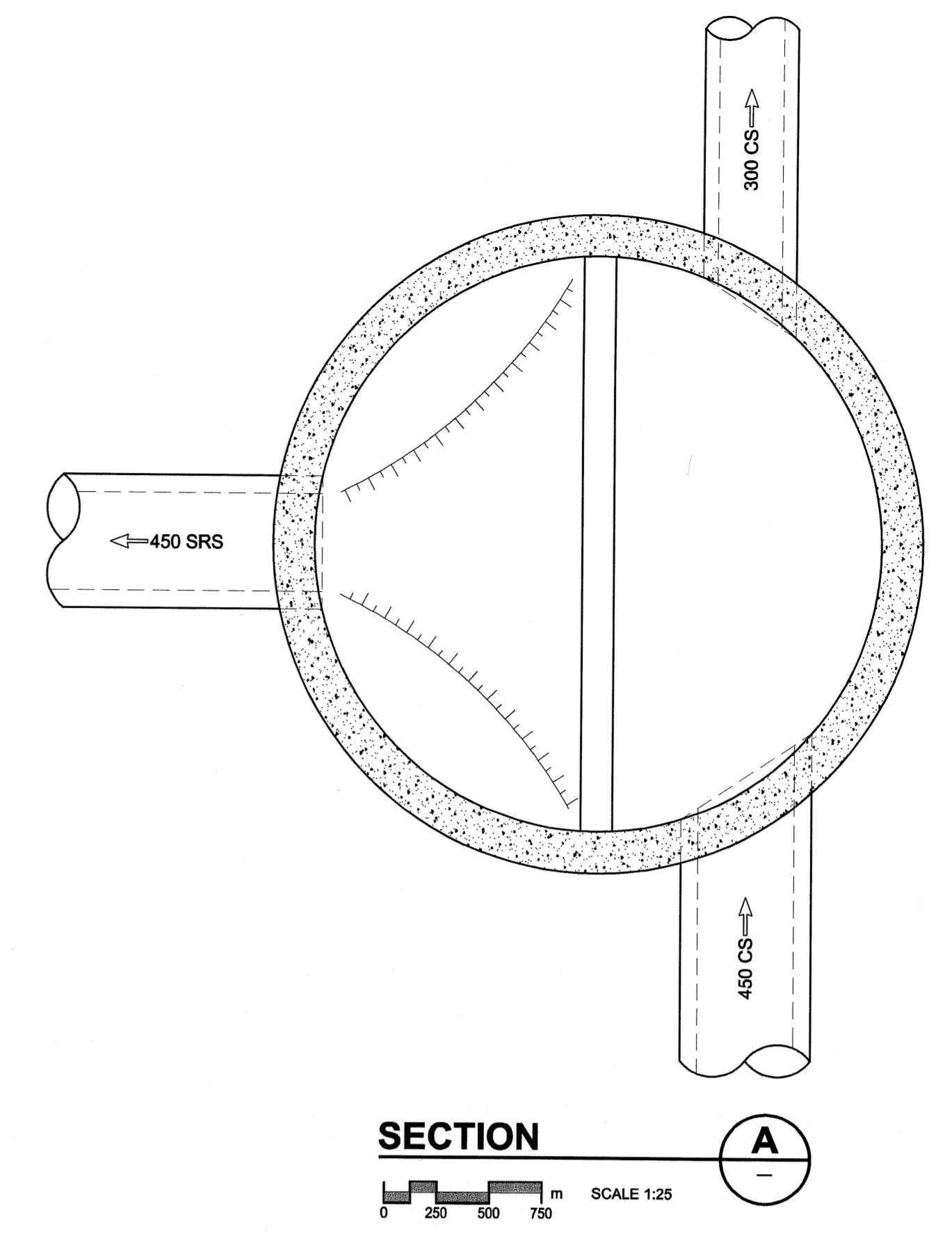
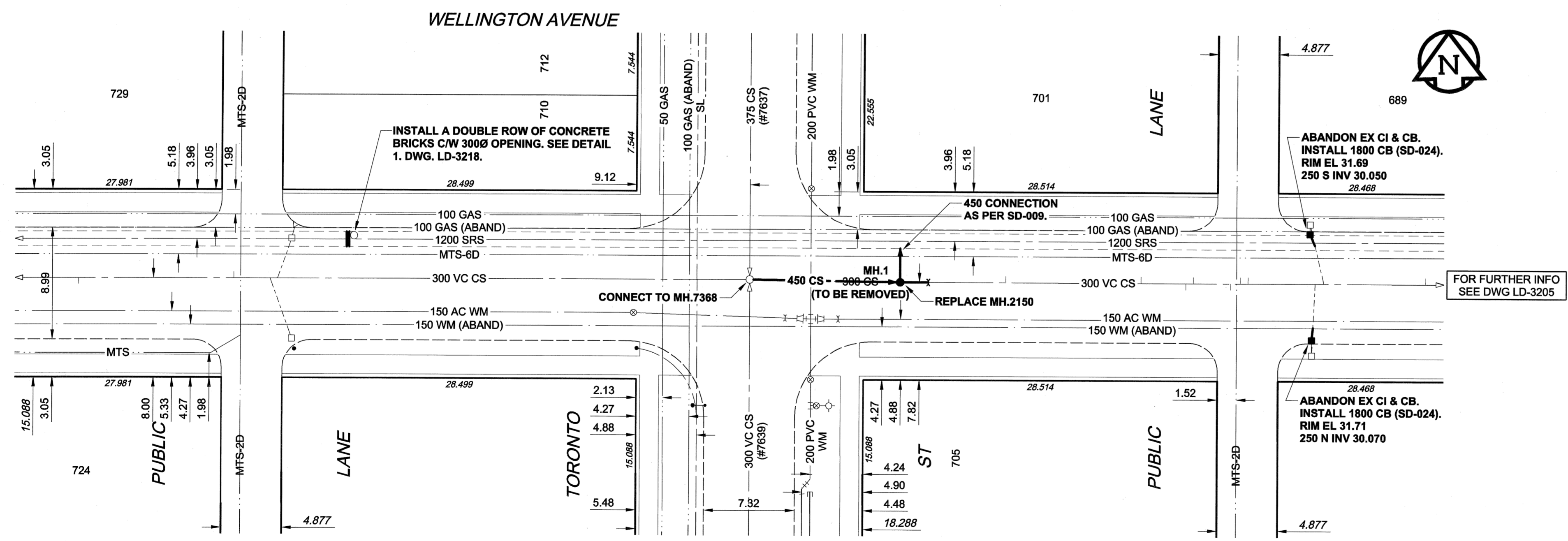


EXISTING FEATURES



CHAINAGE ALONG S PL



WARNING
 IF POWER EQUIPMENT OR EXPLOSIVES ARE TO BE USED FOR EXCAVATION ON THIS PROJECT, THE CONTRACTOR MUST:
 1) NOTIFY THE GAS COMPANY OF THE PROPOSED LOCATION OF EXCAVATION.
 2) TAKE PRECAUTION TO AVOID DAMAGE TO GAS COMPANY INSTALLATIONS.
 SEE PROVINCIAL REGULATION 140/92 FOR DETAILS

150 mm WM	WATERMAIN	150 mm WM	CURB STOP	REDUCER	150 mm WM	WATERMAIN	150 mm WM
	HYDRANT VALVE		REDUCER			HYDRANT VALVE	
	LAND DRAINAGE SEWER		COUPLING			LAND DRAINAGE SEWER	
	MANHOLE		ANODE			MANHOLE	
	CATCH BASIN		HYDRO			CATCH BASIN	
	CURB INLET		MTS			CURB INLET	
	CULVERT		GAS			CULVERT	
	PIPE ABANDONMENTS		TESTHOLE			PIPE ABANDONMENTS	
	SURVEY BAR		LAMP STANDARD			SURVEY BAR	
	EXISTING		TREE			EXISTING	

LOCATION APPROVED
 UNDERGROUND STRUCTURES

DATE COMMITTEE

NOTE:
 LOCATION OF UNDERGROUND STRUCTURES AS SHOWN ARE BASED ON THE BEST INFORMATION AVAILABLE, BUT NO GUARANTEE IS GIVEN THAT ALL EXISTING UTILITIES ARE SHOWN OR THAT THE GIVEN LOCATIONS ARE EXACT. CONFIRMATION OF EXISTENCE AND EXACT LOCATION OF ALL SERVICES MUST BE OBTAINED FROM THE INDIVIDUAL UTILITIES BEFORE PROCEEDING WITH CONSTRUCTION.

NO.	REVISIONS	DATE	BY
0	ISSUED FOR CONSTRUCTION	05/11/03	ADL
		YYMMDD	

DESIGNED BY	CHECKED BY
GEB	
DRAWN BY	APPROVED BY
ADL	
HOR. SCALE	VERT. SCALE
1:250	1:50
DATE	DATE
05/11/03	Nov. 3, 2005

METRIC
 WHOLE NUMBERS INDICATE MILLIMETRES
 DECIMALIZED NUMBERS INDICATE METRES

UMA AECOM
 © 2005 UMA ENGINEERING LTD. ALL RIGHTS RESERVED.

PROFESSIONAL'S SEAL
 PROVINCE OF MANITOBA
 REGISTERED PROFESSIONAL ENGINEER
 A. NAGY
 Nov. 3, 2005

CONSULTANT DRAWING NO. 1
 D265-177-02

THE CITY OF WINNIPEG
 WATER AND WASTE DEPARTMENT

ALEXANDER/BANNATYNE
 COMBINED SEWER RELIEF
 CONTRACT 2B

WELLINGTON AVENUE
 10m EAST OF BEVERLY STREET
 TO 15m WEST OF VICTOR STREET

SHEET 1 OF 17
 CITY DRAWING NUMBER
LD-3204

BID OPPORTUNITY NO. 584-2005