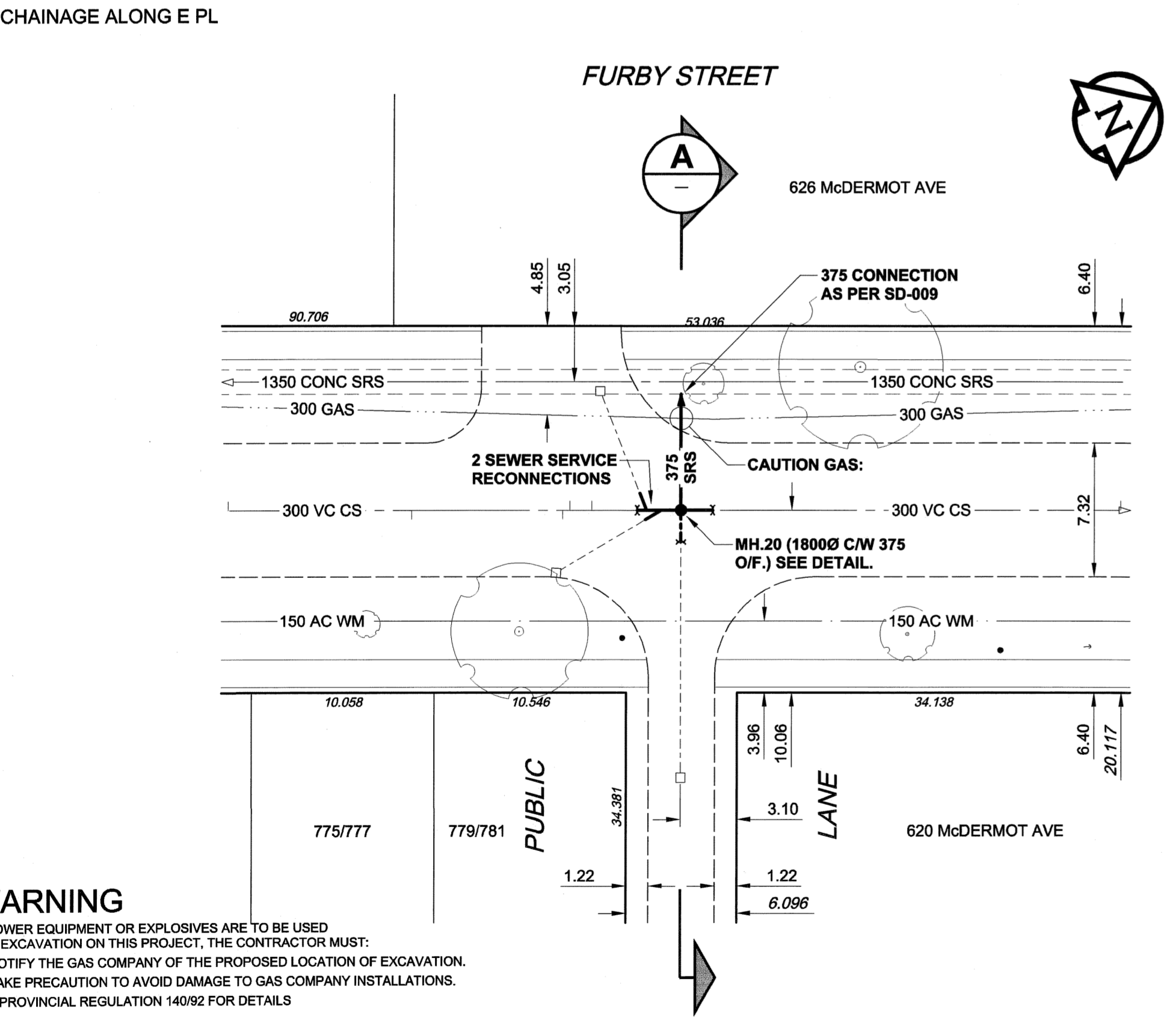
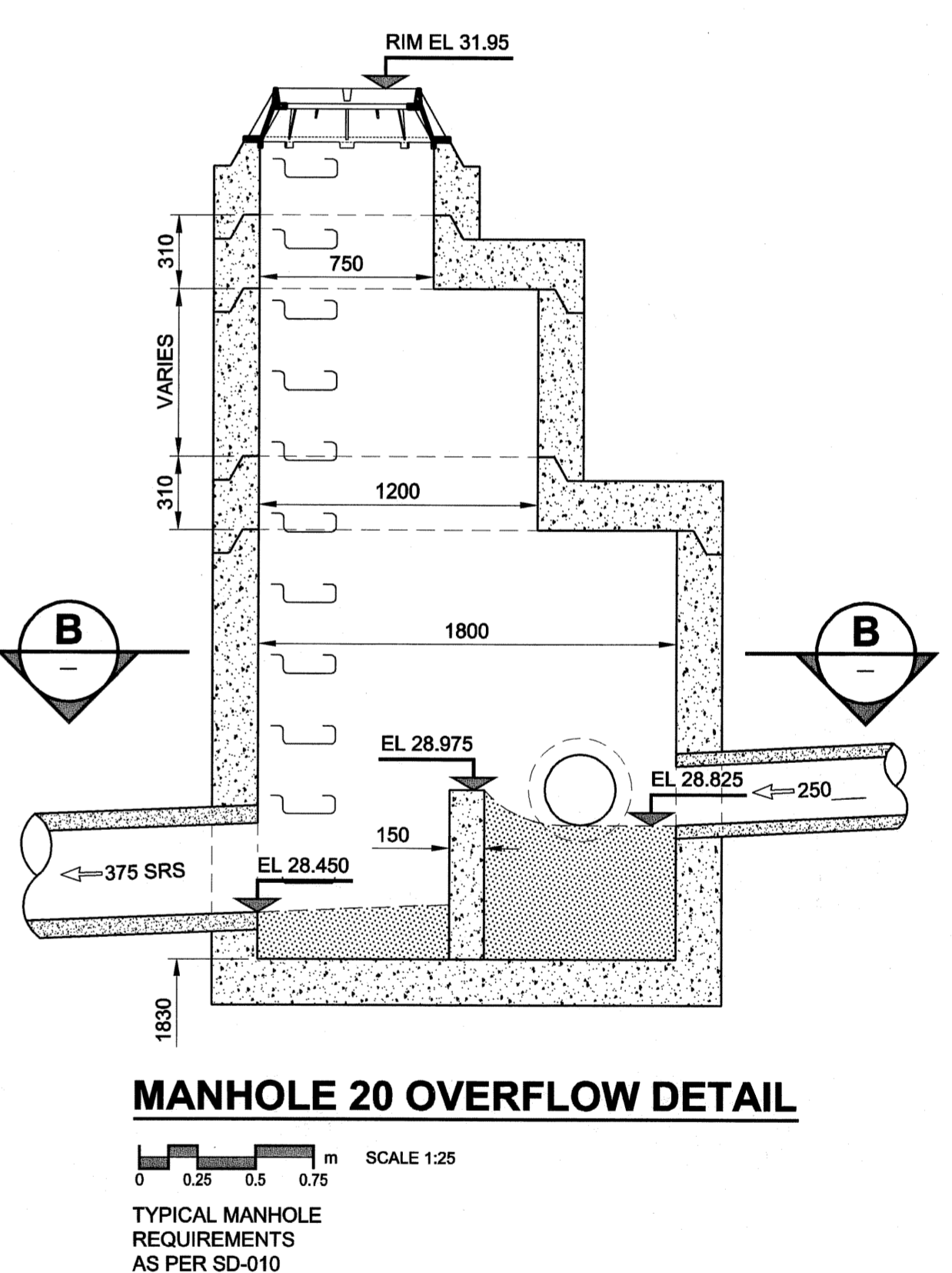
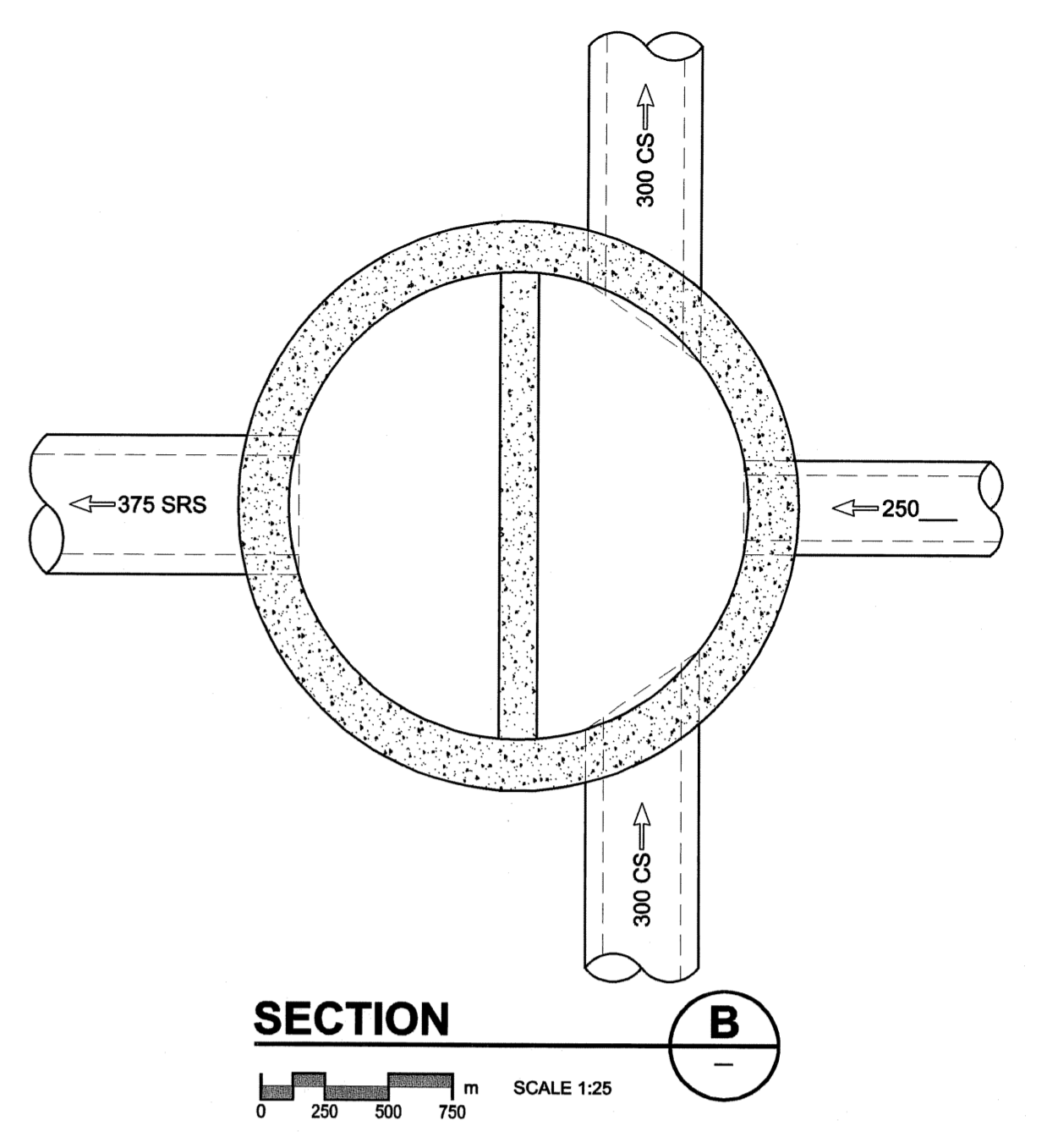
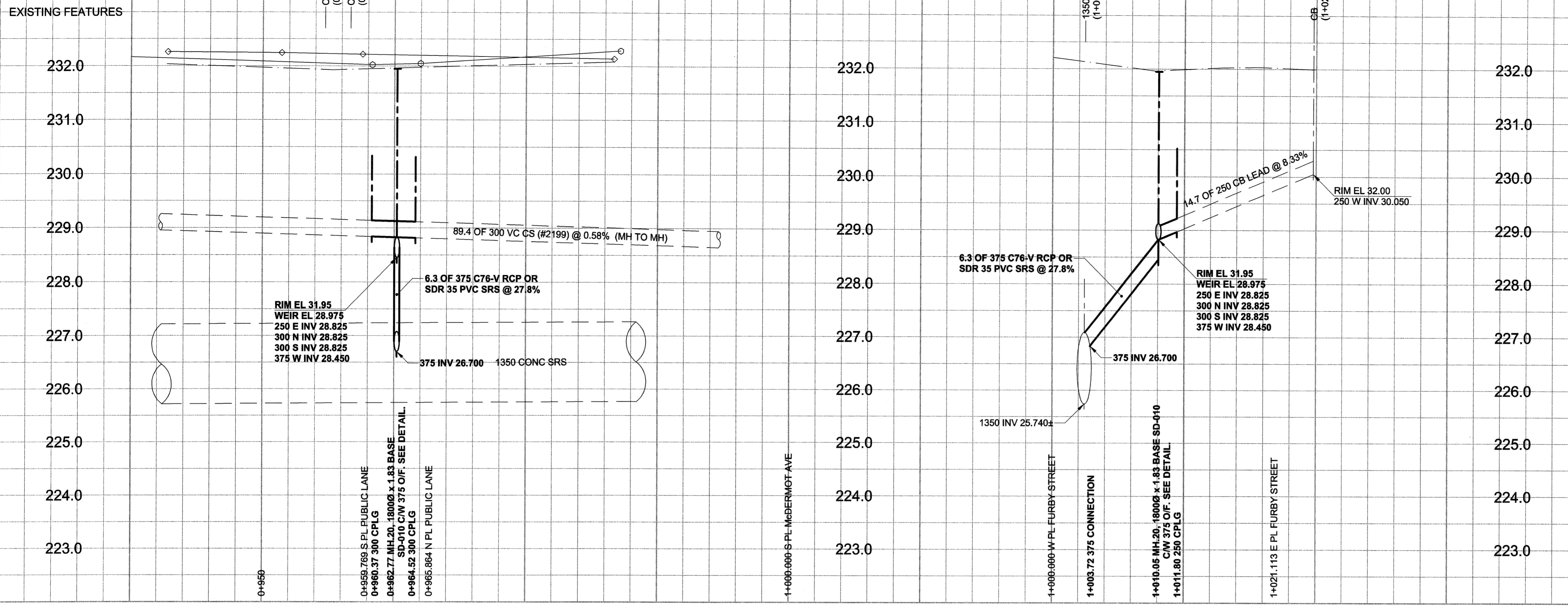


D SIZE 22" x 34" (559mm x 864mm)

PLOT: 05/11/01 11:01:26 AM

UMA FILE NAME: D265-177-02_02-C-1010_RX.dwg Saved By: aleippi



WARNING

IF POWER EQUIPMENT OR EXPLOSIVES ARE TO BE USED FOR EXCAVATION ON THIS PROJECT, THE CONTRACTOR MUST:

- 1) NOTIFY THE GAS COMPANY OF THE PROPOSED LOCATION OF EXCAVATION.
- 2) TAKE PRECAUTION TO AVOID DAMAGE TO GAS COMPANY INSTALLATIONS.

SEE PROVINCIAL REGULATION 140/92 FOR DETAILS

150 mm WM	WATERMAIN	150 mm WM	CURB STOP	150 mm WM	WATERMAIN	150 mm WM	LOCATION APPROVED UNDERGROUND STRUCTURES
○	HYDRANT	+	REDUCER	○	HYDRANT	+	BM 36-044
○	VALVE	+	COUPLING	○	VALVE	+	N. side Notre Dame Ave. 5th W. Sherbrook St. & Pearl St. Tol. in Wly. wing wall on production Sty. of W. wall of No. 677 Notre Dame Ave. (Health Sciences Power House), 0.2m E. & 0.25m below precast stone finish of wing wall.
○	LAND DRAINAGE SEWER	○	ANODE	○	LAND DRAINAGE SEWER	○	
○	WASTE WATER SEWER	○	HYDRO	○	WASTE WATER SEWER	○	
○	MANHOLE	○	MTS	○	PAVEMENT CROWN	○	
○	CATCH BASIN	○	GAS	○	N/W PROPERTY LINE	○	
○	CURB INLET	○	TESTHOLE	○	S/E PROPERTY LINE	○	
○	CULVERT	○	LAMP STANDARD	○	N/W GUTTER	○	
○	PIPE ABANDONMENTS	○	TREE	○	S/E GUTTER	○	
○	SURVEY BAR	○		○		○	
○	EXISTING	○	EXISTING	○	EXISTING	○	
○	LEGEND - PLAN	○	LEGEND - PLAN	○	LEGEND - PROFILE	○	
○	NEW	○	NEW	○	NEW	○	

NO.	ISSUED FOR CONSTRUCTION	05/11/03	ADL
0	ISSUED FOR CONSTRUCTION	05/11/03	ADL
NO.	REVISIONS	YY/MM/DD	BY

DESIGNED BY	GEB	CHECKED BY	ADL
DESIGNED BY	GEB	CHECKED BY	ADL
DRAWN BY	ADL	APPROVED BY	[Signature]
HOR. SCALE	1:250	RELEASED FOR CONSTRUCTION	[Signature]
VERT. SCALE	1:50	DATE	05/11/03
DATE	05/11/03	DATE	05/11/03

METRIC
WHOLE NUMBERS INDICATE MILLIMETRES
DECIMAL NUMBERS INDICATE METRES

UMA | AECOM

© 2005 UMA ENGINEERING LTD. ALL RIGHTS RESERVED.

PROFESSIONAL'S SEAL
PROVINCE OF MANITOBA
A. NAGY
Nov. 3, 2005
REGISTERED PROFESSIONAL ENGINEER

CONSULTANT DRAWING NO. 10
D265-177-02

THE CITY OF WINNIPEG
WATER AND WASTE DEPARTMENT

ALEXANDER/BANNATYNE
COMBINED SEWER RELIEF
CONTRACT 2B

FURBY STREET
80m NORTH OF NOTRE DAME AVENUE
TO 13m SOUTH OF McDERMOT AVENUE

SHEET 10 OF 17
CITY DRAWING NUMBER
LD-3213
REV 0

BID OPPORTUNITY NO. 584-2005