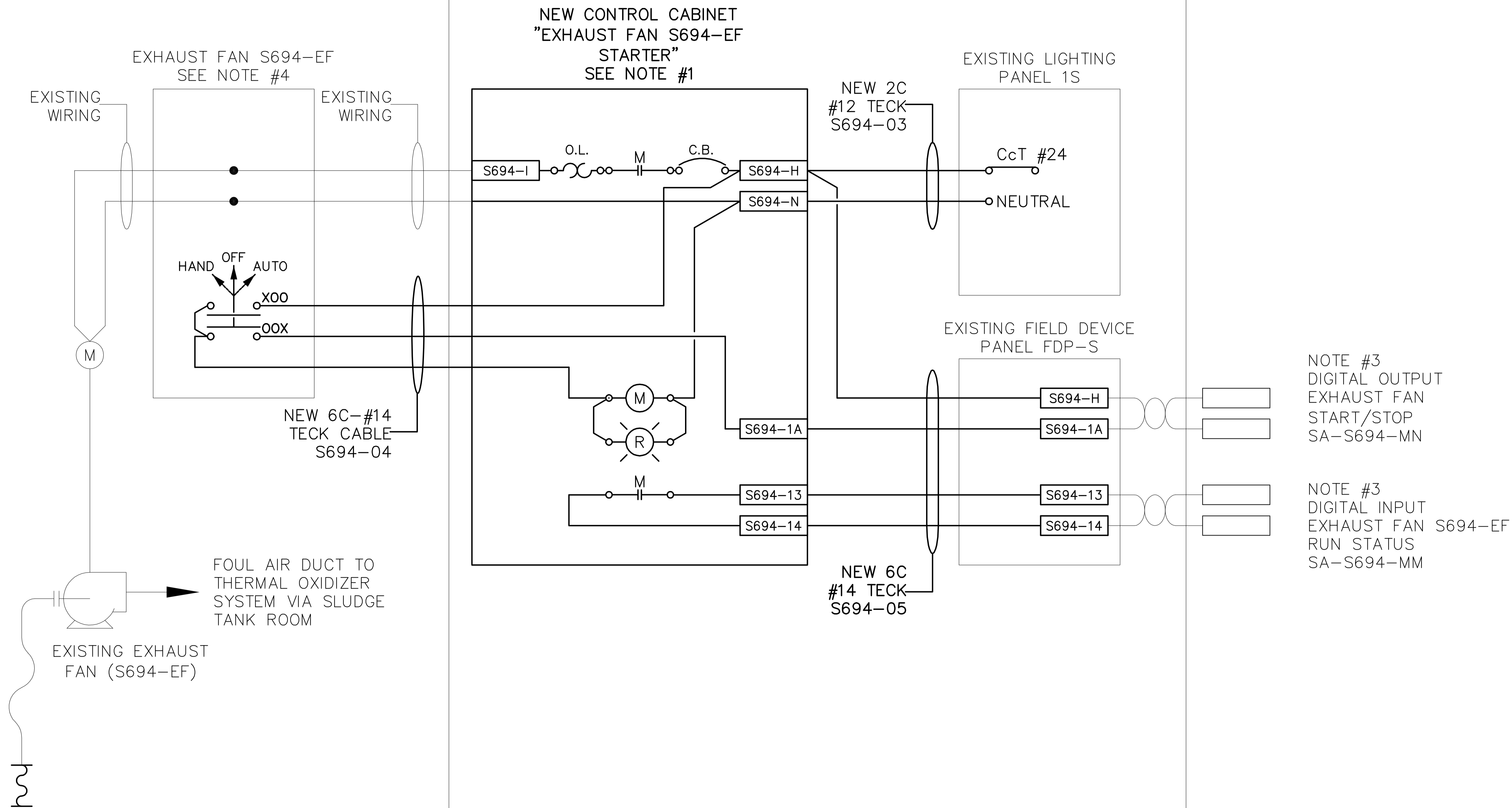


INSTRUMENT LOOP DIAGRAM

SLUDGE TRUCK BAY

SECONDARY ELECTRICAL ROOM

D C S



NOTES:

1. SUPPLY AND INSTALL NEW CONTROL CABINET FOR EXHAUST FAN (S694-EF) C/W NEMA RATED COMBINATION STARTER AND WEIDMULLER SAK TERMINAL BLOCKS.
2. SUPPLY AND INSTALL NEW WIRING AS SHOWN.
3. COORDINATE WITH CITY'S PROGRAMMER/ANALYST TO ASSIGN NEW I/O POINT AS INDICATED.
4. REMOVE EXISTING MANUAL STARTER AND INSTALL A HAND-OFF-AUTO SELECTOR SWITCH AND NEW CONTROL WIRING AS SHOWN.



B.M. ELEV.			
DESIGNED BY	BL	CHECKED BY	BL
DRAWN BY	GLG	APPROVED BY	AHL
SCALE:	NONE	RELEASED FOR CONSTRUCTION BY:	T. HOLDING
00 ISSUED FOR TENDER	05/11/28	LAE	
NO. REVISIONS	DATE	BY	DATE
			2005/10/12



ENGINEER'S SEAL

ORIGINAL
SIGNED BY
S.W. TORMEY
2005/11/25

CONSULTANT DRAWING NO.
6238000 - 102



SUPPLY AND INSTALLATION OF A THERMAL OXIDIZER
SOUTH END WATER POLLUTION CONTROL CENTRE

INSTRUMENTATION
TRUCK EXHAUST FAN S694-EF
LOOP WIRING DIAGRAM

CITY FILE NUMBER
SHEET OF
CITY DRAWING NUMBER