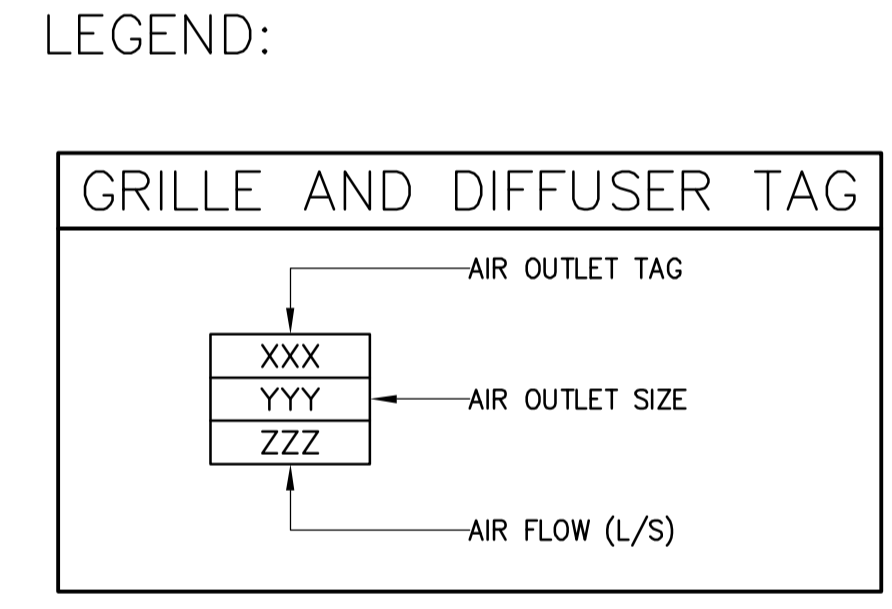


- DRAWING NOTES:
- DISCONNECT EXISTING 150Ø FOUL AIR DUCT FROM EXISTING 200Ø TRUCK FILL EXHAUST (FOA) AND CAP BOTH.
 - NEW 600mm LONG 200Ø PVC FOA SPOOL PIECE.
 - NEW 200Ø PVC FOA, MOUNTED USING EXISTING HANGERS. CONNECT TO EXISTING 200Ø PVC FOA.
 - EXISTING 150Ø PVC FOA DUCT DOWN TO THICKENED SLUDGE TANKS.
 - EXISTING 150Ø PVC FOA DUCT DOWN TO THICKENED SLUDGE TANKS AND UP THROUGH ROOF.
 - PROVIDE NEW 250Ø SUPPLY AIR DUCT AND CONNECT INTO THE EXISTING 500x400 SUPPLY AIR DUCT.
 - EXISTING WASHROOM EXHAUST FAN AND 150x100 DUCT TO REMAIN.
 - SEE DRAWING P02 AND P03 FOR CONTINUATION OF THE EXISTING 150Ø AND 200Ø PVC FOA DUCTS.
 - REMOVE EXISTING WALL GRILLES ON BOTH SIDES OF CINDER BLOCK WALL. PATCH AND REPAIR EXISTING BLOCK WALL WITH A NEW CINDER BLOCK AND FINISH TO MATCH EXISTING ADJACENT SURFACES.
 - REMOVE THE EXISTING EXHAUST FAN FROM THE TRUCK OPER. RM DISCONNECT SERVICES. PATCH AND REPAIR THE CEILING TO MATCH EXISTING ADJACENT SURFACES.
 - REMOVE EXISTING FOUL AIR EXHAUST FAN AND MOUNTING BRACKETS. DISCONNECT EXISTING SERVICES IN ACCORDANCE WITH DIVISION 16.
 - PROVIDE NEW FOUL AIR EXHAUST FAN. MOUNT ON NEW MOUNTING BRACKETS. RECONNECT THE EXISTING 150Ø INTAKE PIPE, OFFSET AS REQUIRED AND REUSE THE EXISTING ISOLATION BUTTERFLY VALVE. RECONNECT EXISTING 150Ø DISCHARGE PIPE TO THE NEW FAN. PROVIDE TRANSITIONS AS REQUIRED TO MEET FAN FLANGES.
 - REMOVE EXHAUST HOOD AND REPLACE WITH FERRO FLEXIBLE COUPLING. REDUCING FROM 200mm DIA. ON THE EXISTING HOSE TO 150mm DIA. OPEN TO ATMOSPHERE. LENGTH 325mm.



- BALANCING DAMPER
- BACKDRAFT DAMPER

APECA
Certificate of Authorization
Earth Tech Canada Inc.
No. 730 Expiry: April 30, 2006

B.M. ELEV.	
DESIGNED BY	AA
CHECKED BY	PB
DRAWN BY	CT
APPROVED BY	AHL
SCALE:	NTS
RELEASED FOR CONSTRUCTION BY:	T. HOLDING
NO. REVISIONS	DATE BY
00	ISSUED FOR TENDER 05/11/28 LAE
	DATE 2005/08/31

EarthTech
A Tyco International Ltd. Company

DESIGNED BY AA CHECKED BY PB
DRAWN BY CT APPROVED BY AHL
SCALE: NTS RELEASED FOR CONSTRUCTION BY: T. HOLDING

ENGINEER'S SEAL
ORIGINAL SIGNED BY
A.M. AFTANAS
2005/11/25
CONSULTANT DRAWING NO.
6238000-M01

THE CITY OF WINNIPEG
WATER AND WASTE DEPARTMENT
ENGINEERING DIVISION

SUPPLY AND INSTALLATION OF A THERMAL OXIDIZER
SOUTH END WATER POLLUTION CONTROL CENTRE

CITY FILE NUMBER
SHEET OF
CITY DRAWING NUMBER

MECHANICAL
GENERAL ARRANGEMENT PLAN