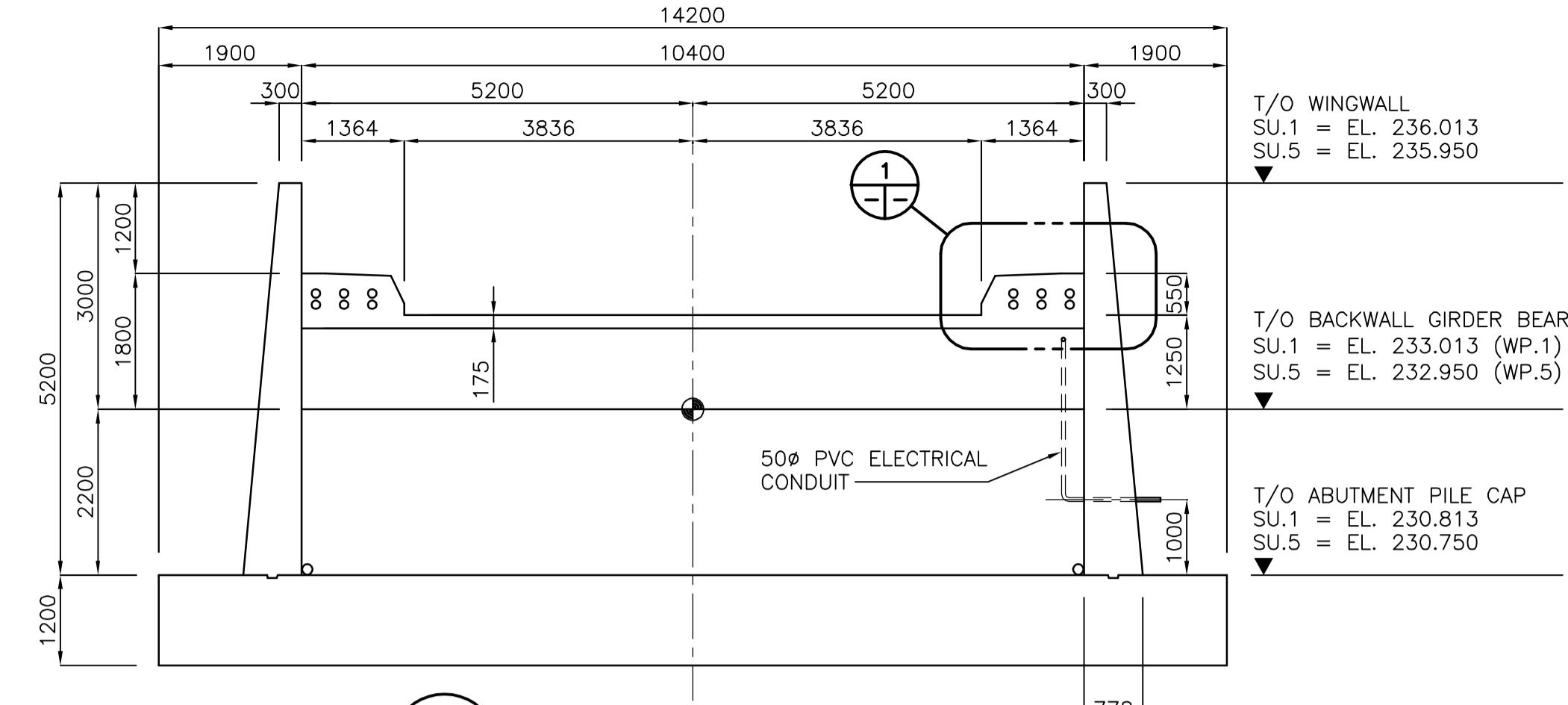
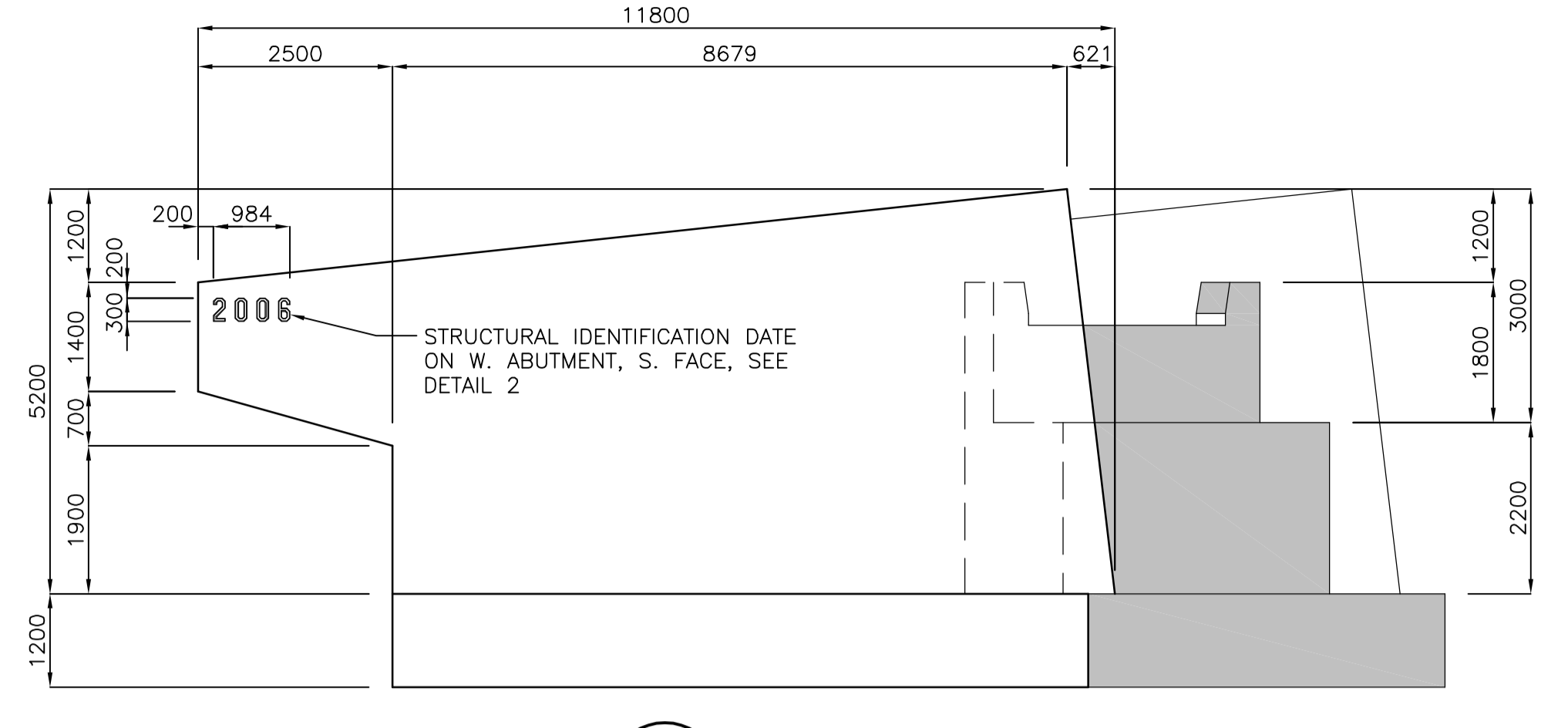


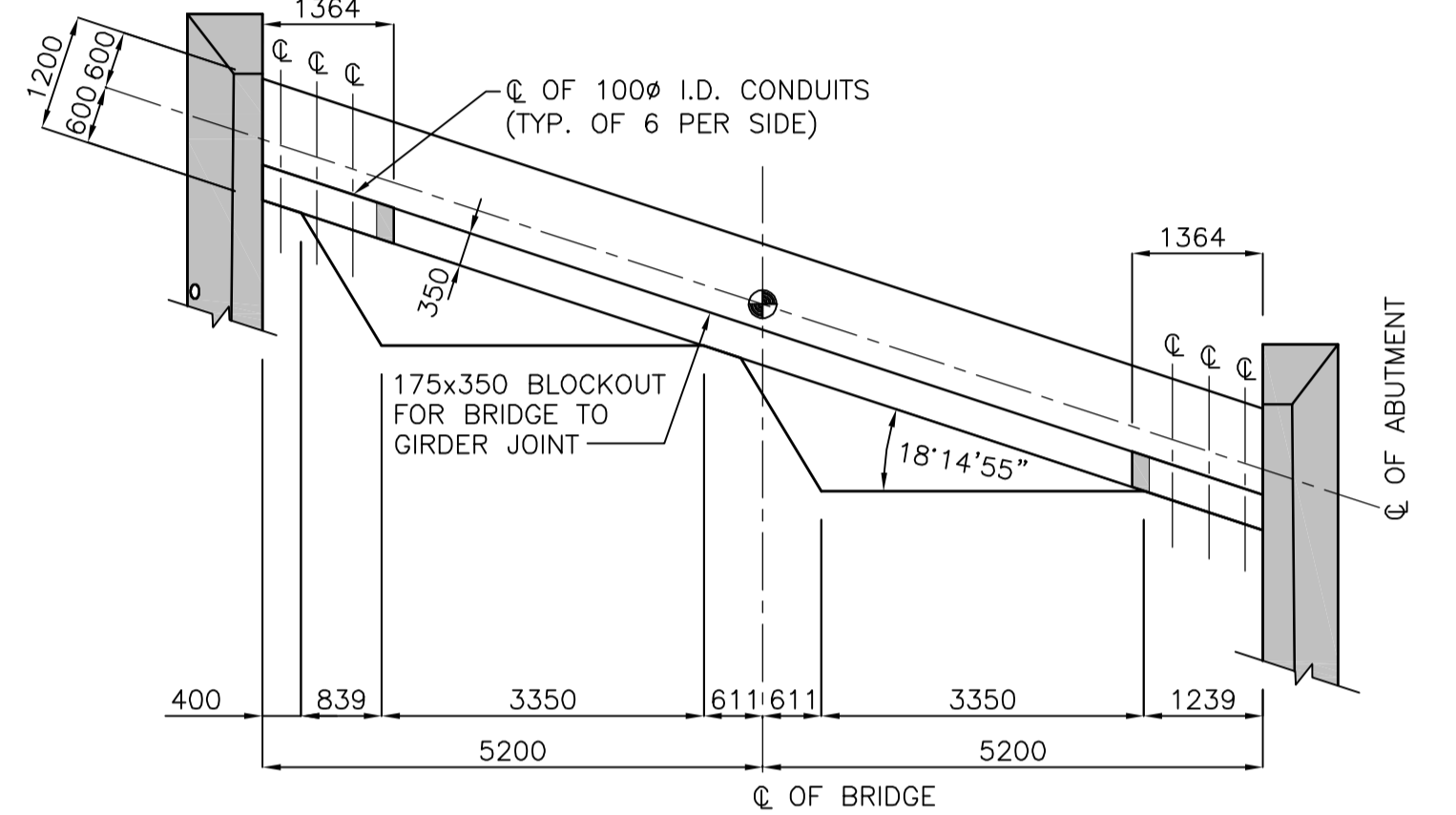
ABUTMENT PILE CAP PLAN
1:75



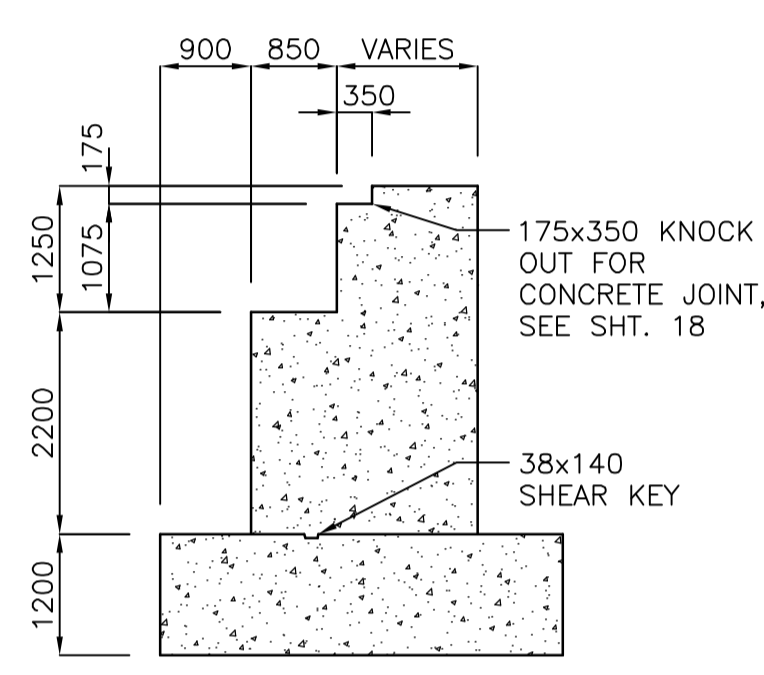
A ABUTMENT ELEVATION
1:75



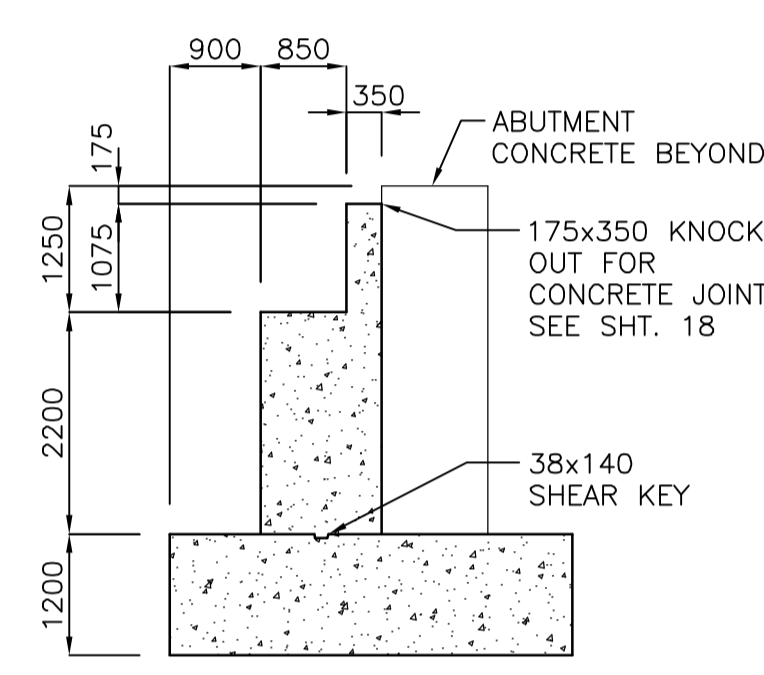
B ABUTMENT SECTION
1:75



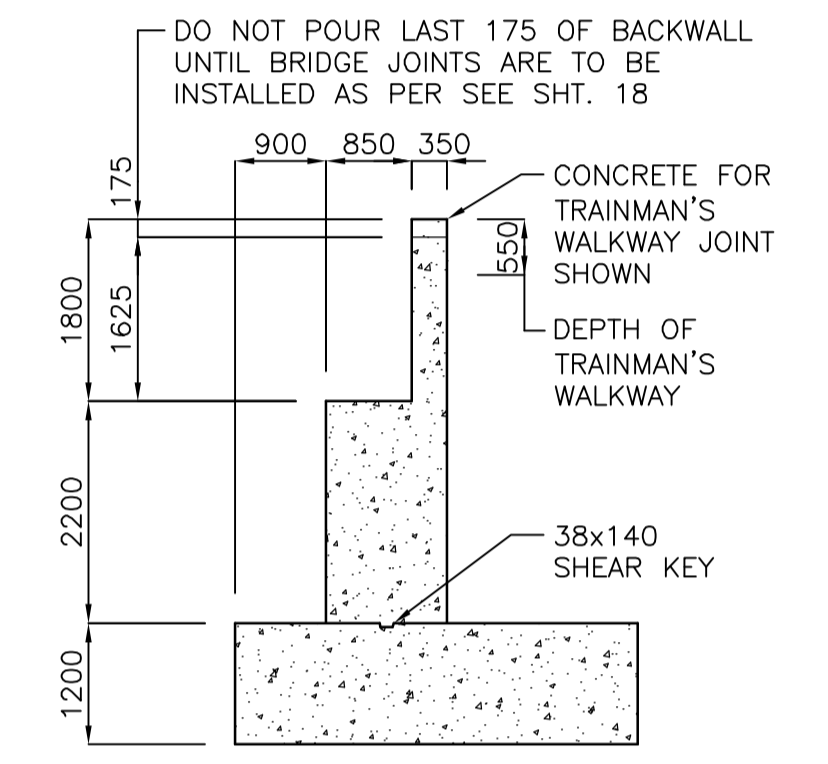
ABUTMENT BACKWALL DETAIL
1:75



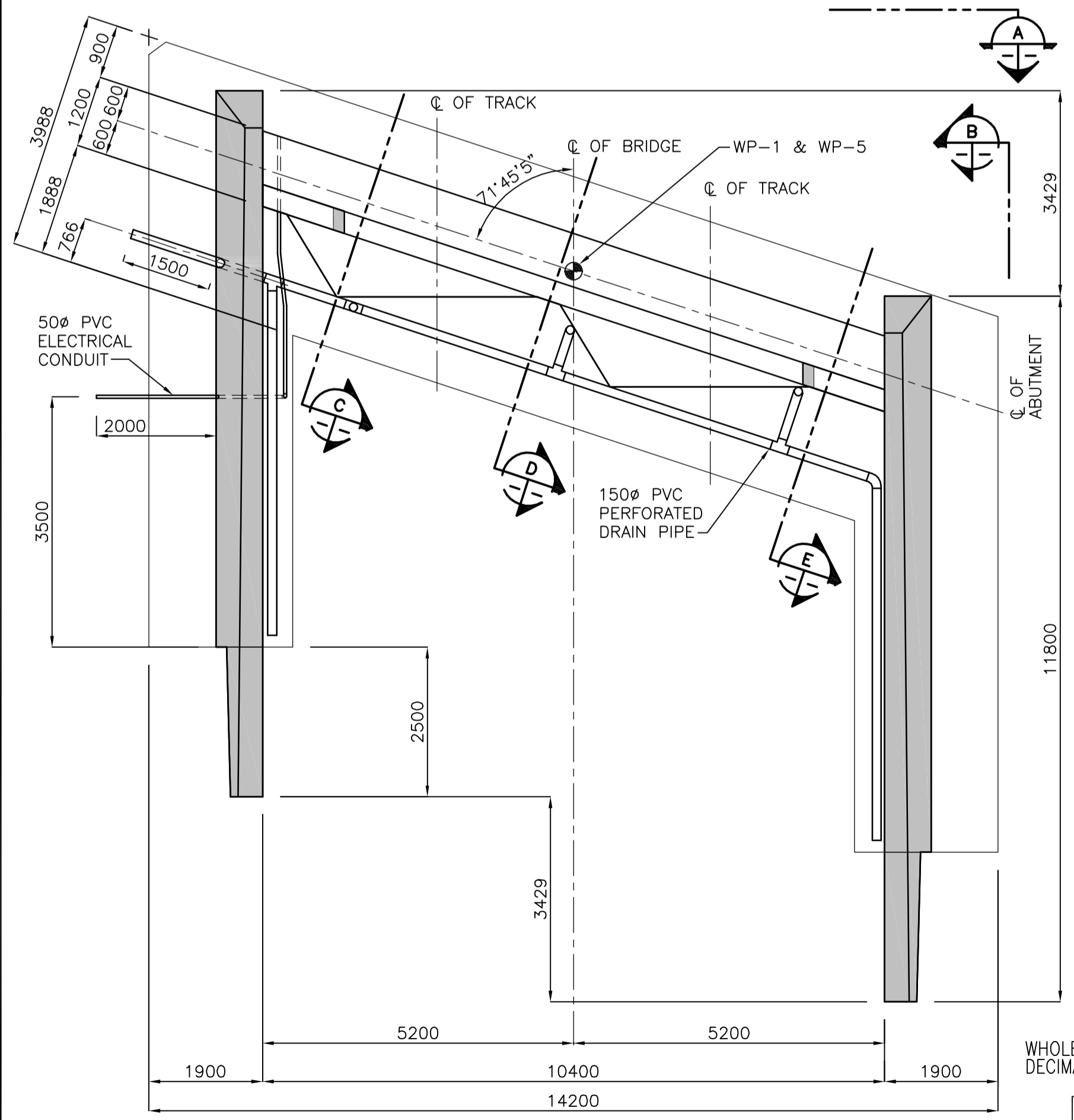
C ABUTMENT SECTION
1:75



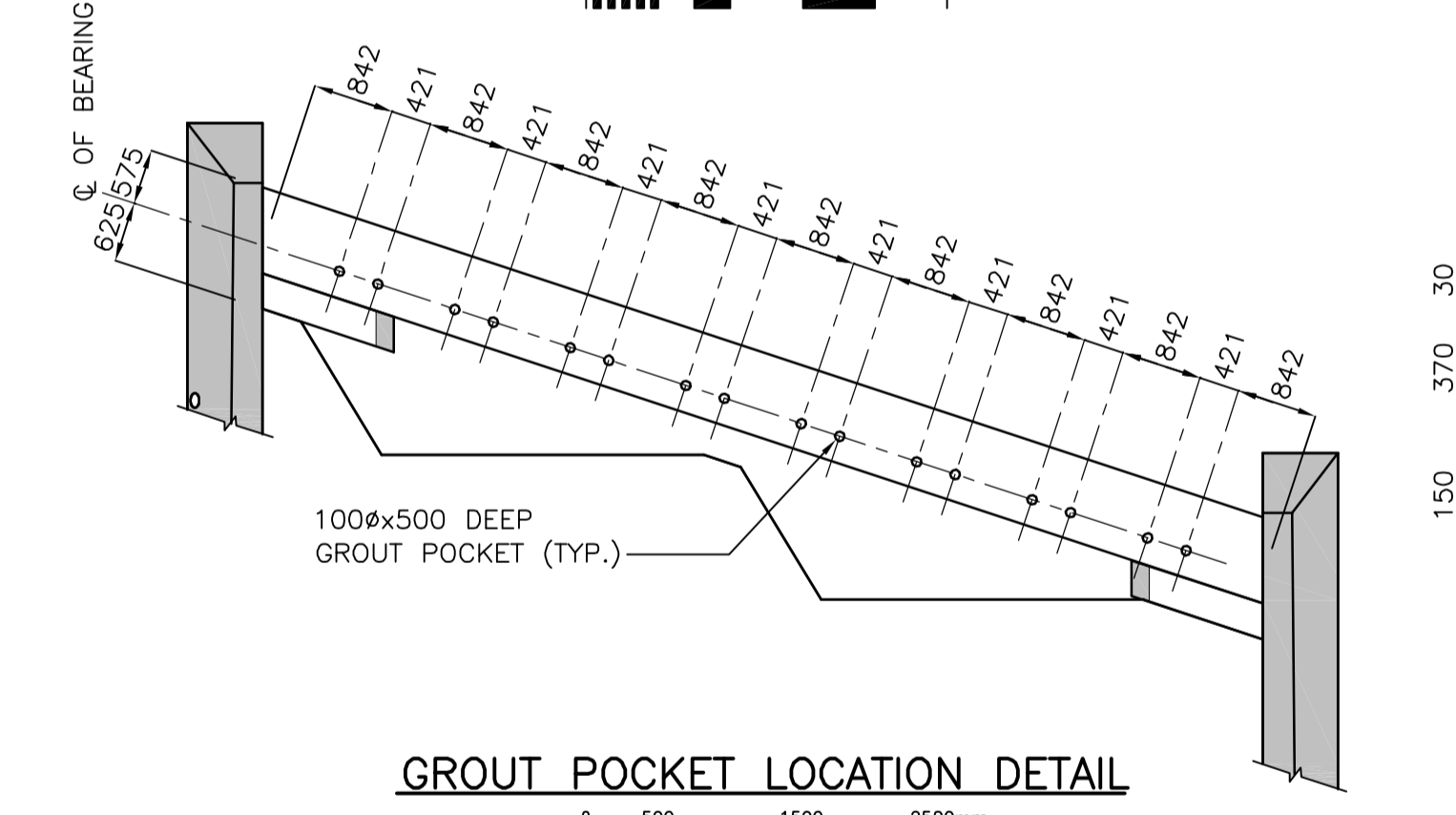
D ABUTMENT SECTION
1:75



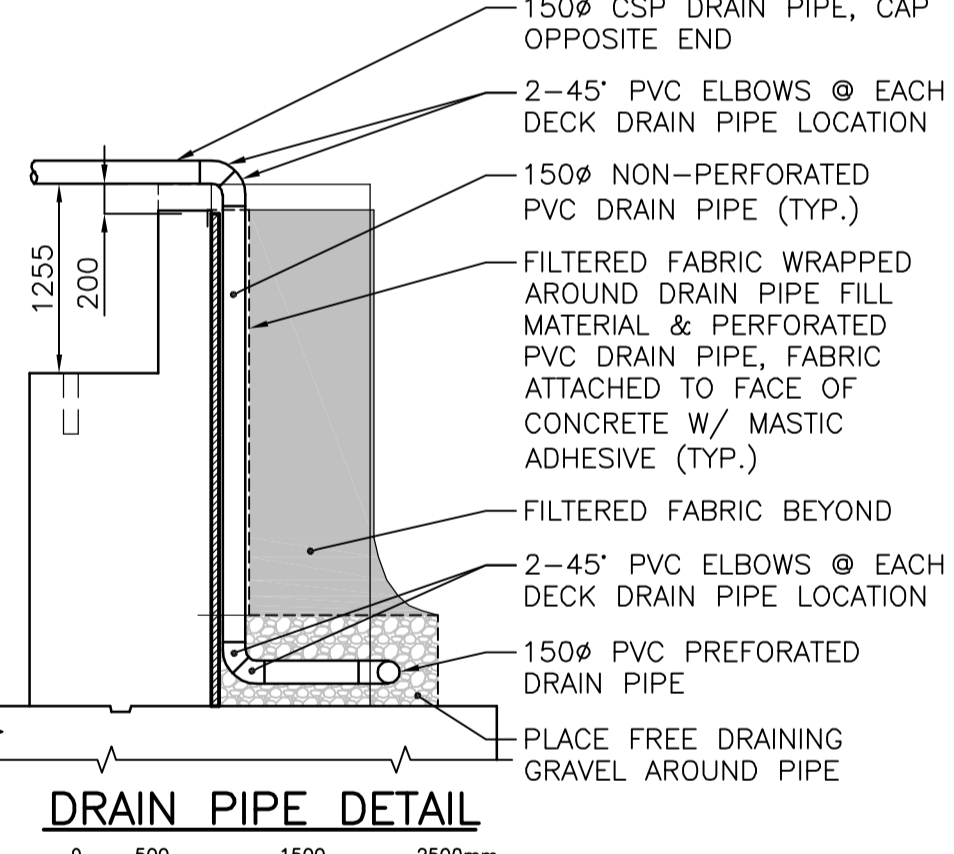
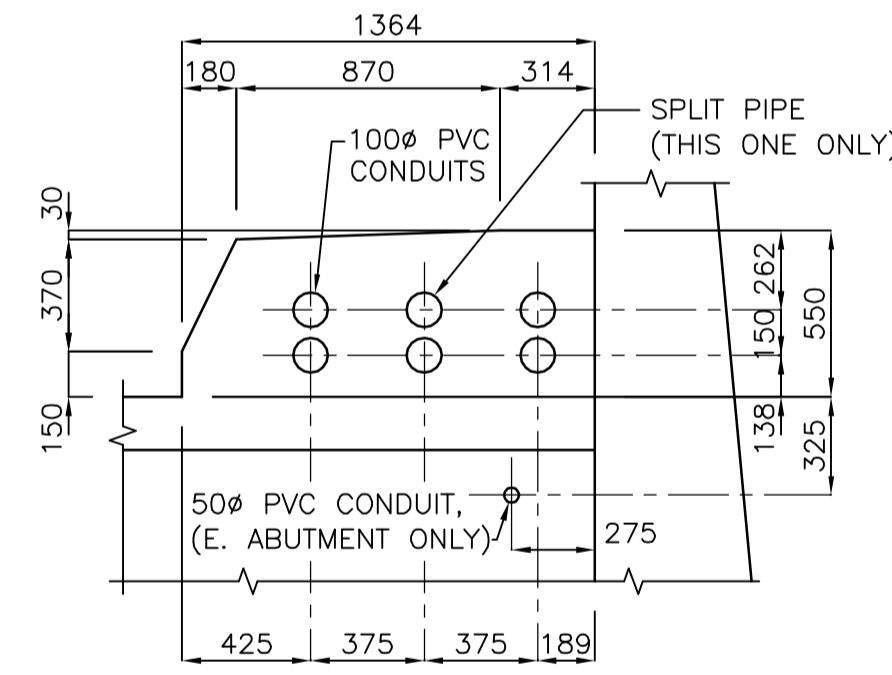
E ABUTMENT SECTION
1:75



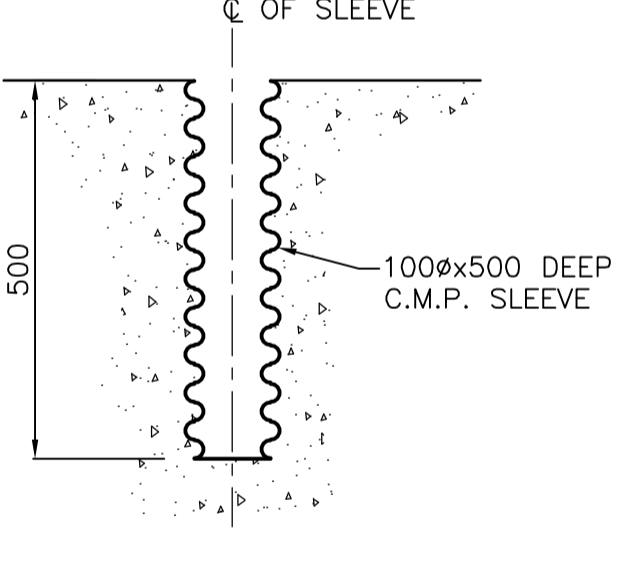
ABUTMENT BACKWALL PLAN
1:75



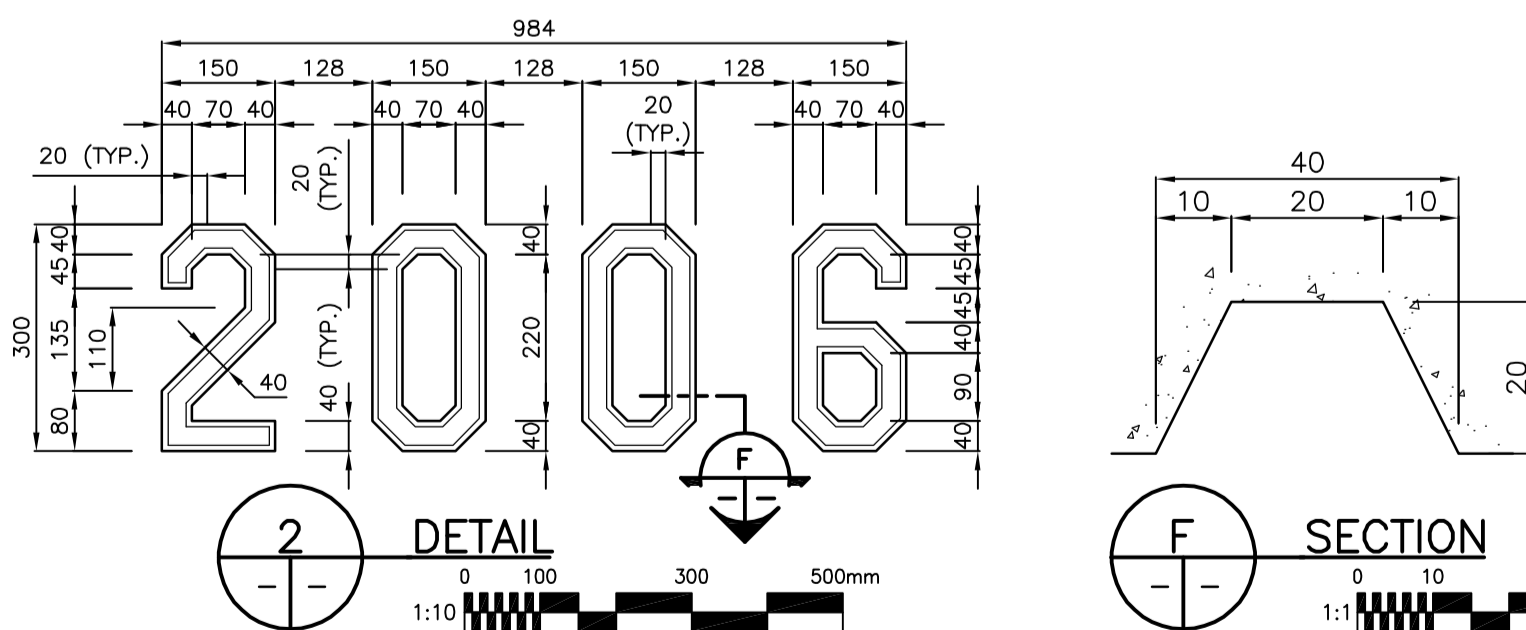
GROUT POCKET LOCATION DETAIL
1:50



DRAIN PIPE DETAIL
1:50



GROUT POCKET DETAIL
1:10



1 DETAIL
1:10

F SECTION
1:1

METRIC
WHOLE NUMBERS INDICATE MILLIMETRES
DECIMALIZED NUMBERS INDICATE METRES

APEGN
Certificate of Authorization
Stantec Consulting Ltd.
No. 1301 Expiry: April 30, 2006

LOCATION APPROVED UNDERGROUND STRUCTURES		B.M. ELEV.
SUPV. U/G STRUCTURES COMMITTEE	DATE	
NOTE: LOCATION OF UNDERGROUND STRUCTURES AS SHOWN ARE BASED ON THE BEST INFORMATION AVAILABLE BUT NO GUARANTEE IS GIVEN THAT ALL EXISTING UTILITIES ARE SHOWN OR THAT THE GIVEN LOCATIONS ARE EXACT. CONFIRMATION OF EXISTENCE AND EXACT LOCATION OF ALL SERVICES MUST BE OBTAINED FROM THE INDIVIDUAL UTILITIES BEFORE PROCEEDING WITH CONSTRUCTION.		
ISSUED FOR TENDER	05.10.26	MJB
NO. REVISIONS	DATE	BY

Stantec Consulting Ltd. 905 Waverley Street, Winnipeg, Manitoba Tel 204-489-5900 Fax 204-453-9012		ENGINEER'S SEAL
DESIGNED BY: KSA/MJB	CHECKED BY: GWM	ORIGINAL SEALED BY M.J. BOISSONNEAULT P. ENG. 05.10.26
DRAWN BY: JMB	APPROVED BY: MJB	
HOR. SCALE: AS SHOWN	AUTHORIZED BY: R. FINGAS P. ENG. BRIDGE PROJECTS ENGINEER	DATE: 05.10.26
VERTICAL: AS SHOWN		CONSULTANT DRAWING NO. I13703042-S07

THE CITY OF WINNIPEG PUBLIC WORKS DEPARTMENT Winnipeg ENGINEERING DIVISION		SHEET 9 OF 21
KENASTON UNDERPASS KENASTON BLVD. / CN RIVERS SUB. MILE 5.18 RAILWAY BRIDGE CONSTRUCTION		CAD FILE DRAWING NUMBER KU-09-664.dwg
ABUTMENT CONCRETE DETAILS SU.1 & SU.5		CITY DRAWING NUMBER P-3258-133