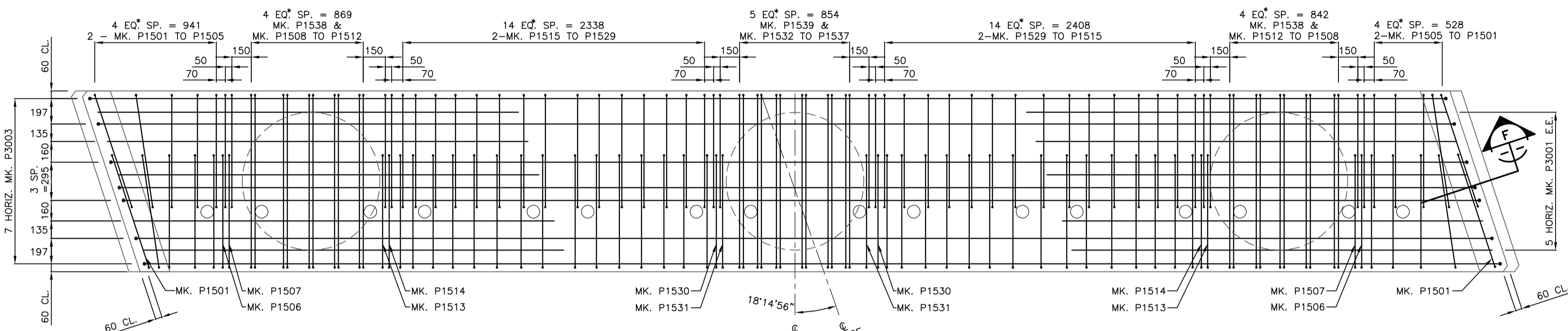


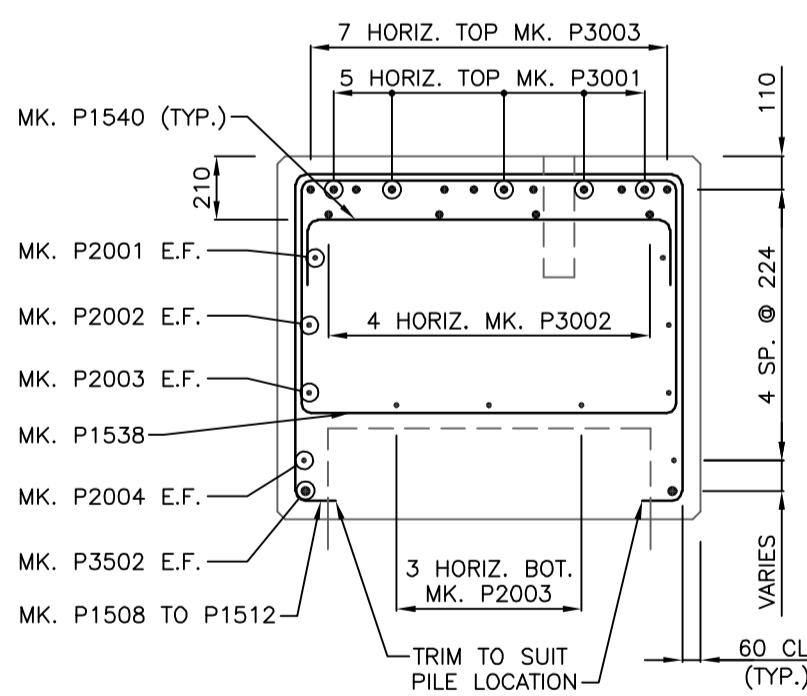
PIER ELEVATION - SHOWING SU.2



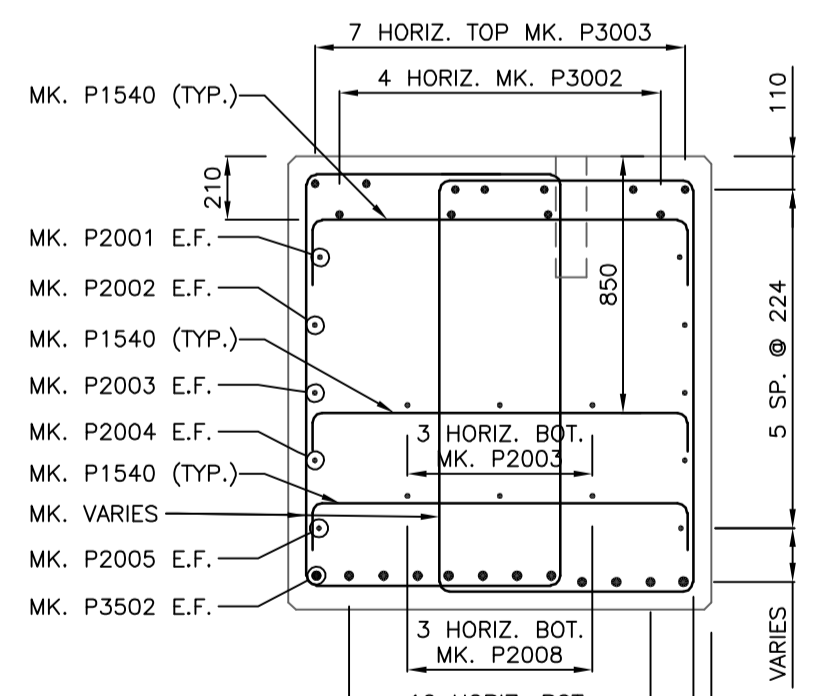
SECTION - SHOWING SU.2

\* NOTE:  
ADJUST SPACING AS SHOWN  
ON DRAWINGS TO SUIT  
GROUT CAN LOCATIONS

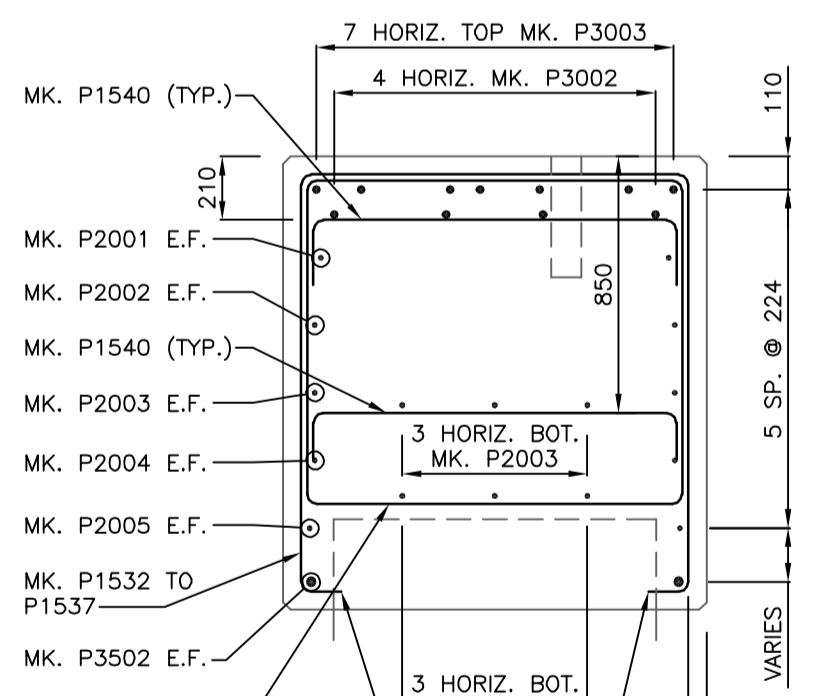
\* NOTE:  
GROUT CANS ONLY REQUIRED  
FOR PIERS SU.2 & SU.3



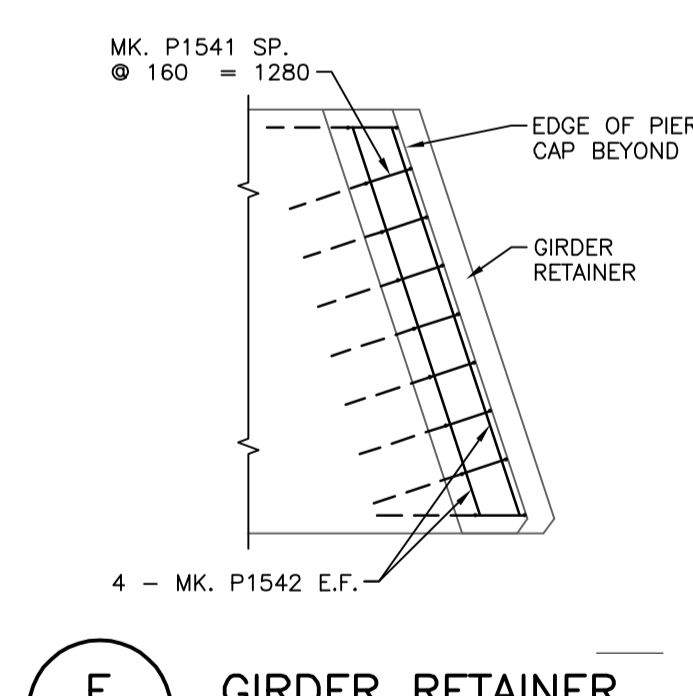
SECTION B



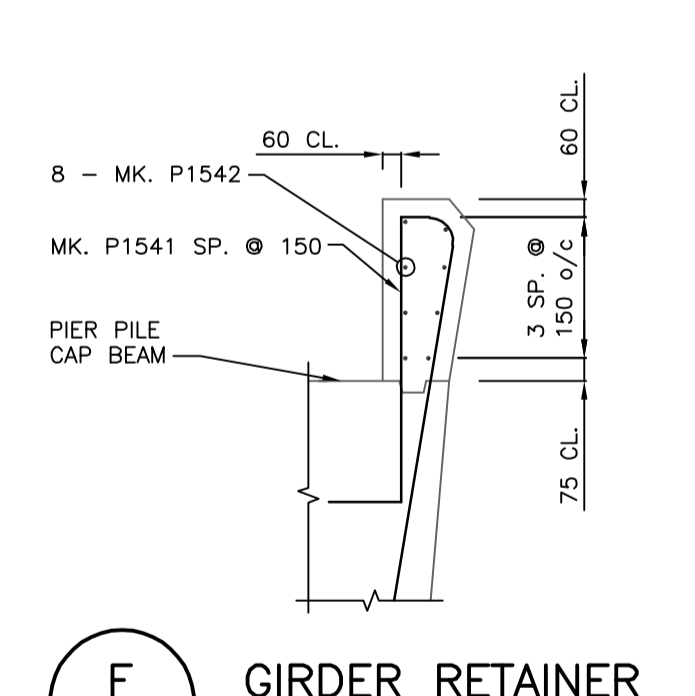
SECTION C



SECTION D

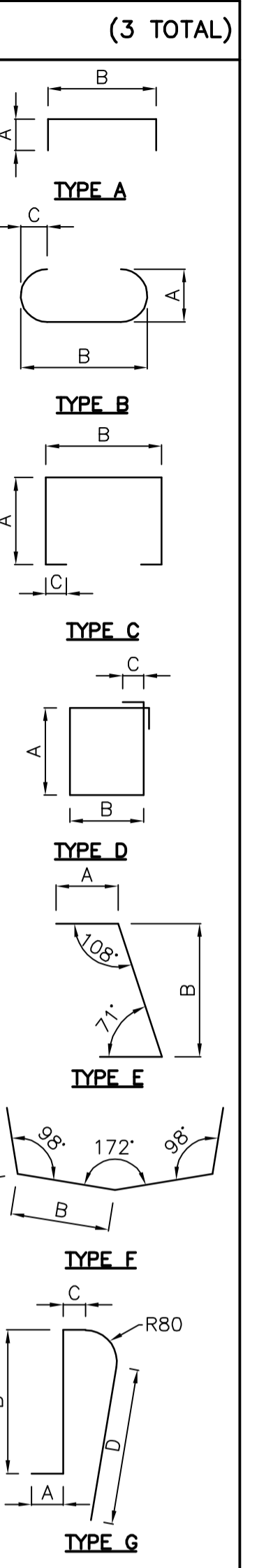


SECTION E GIRDER RETAINER



SECTION F GIRDER RETAINER

STRAIGHT BARS				BENT BARS									
MARK	QTY.	LENGTH (mm)	MASS (kg)	MARK	QTY.	TYPE	A	B	C	D	E	LENGTH (mm)	MASS (kg)
P1542	8	1350	17.0	P1501	4	D	1090	885	100			4045	25.4
				P1502	4	D	1090	850	100			3975	25.0
P2001	2	10115	47.6	P1503	4	D	1090	840	100			3955	24.8
P2002	2	10075	47.5	P1504	4	D	1100	840	100			3975	25.0
P2003	5	10035	118.2	P1505	4	D	1115	840	100			4005	25.2
P2004	2	9995	47.1	P1506	4	D	1115	840	100			4005	25.2
P2005	2	6890	32.5	P1507	4	D	1115	840	100			4005	25.2
P2008	3	3000	21.2	P1508	2	C	1130	1280	250			3912	12.3
				P1509	2	C	1145	1280	250			3942	12.4
P3001	10	3700	203.3	P1510	2	C	1160	1280	250			3972	12.5
P3002	4	10350	227.5	P1511	2	C	1170	1280	250			3992	12.5
				P1512	2	C	1185	1280	250			4022	12.6
				P1513	4	D	1195	840	100			4165	26.2
				P1514	4	D	1195	840	100			4165	26.2
				P1515	4	D	1200	840	100			4175	26.2
				P1516	4	D	1210	840	100			4195	26.3
				P1517	4	D	1220	840	100			4215	26.5
				P1518	4	D	1230	840	100			4235	26.6
				P1519	4	D	1240	840	100			4255	26.7
				P1520	4	D	1250	840	100			4275	26.8
				P1521	4	D	1265	840	100			4305	27.0
				P1522	4	D	1275	840	100			4325	27.2
				P1523	4	D	1290	840	100			4355	27.3
				P1524	4	D	1300	840	100			4375	27.5
				P1525	4	D	1310	840	100			4395	27.6
				P1526	4	D	1325	840	100			4425	27.8
				P1527	4	D	1335	840	100			4445	27.9
				P1528	4	D	1345	840	100			4465	28.0
				P1529	4	D	1360	840	100			4495	28.2
				P1530	4	D	1360	840	100			4495	28.2
				P1531	4	D	1360	840	100			4495	28.2
				P1532	2	C	1370	1280	250			4392	13.8
				P1533	2	C	1380	1280	250			4412	13.9
				P1534	2	C	1390	1280	250			4432	13.9
				P1535	2	C	1405	1280	250			4462	14.0
				P1536	2	C	1415	1280	250			4482	14.1
				P1537	2	C	1405	1280	250			4462	14.0
				P1538	10	D	790	1280	100			2955	46.4
				P1539	6	D	1090	1280	100			3555	33.5
				P1540	43	A	200	1280				1616	109.1
				P1541	18	G	300	940	95	1250		2585	73.1
				P2006	10	E	600	1350				2550	60.1
				P3003	7	B	250	10350	125			10635	409.1
				P3501	20	B	300	2600	150			2960	464.8
				P3502	2	F	475	5100				11150	175.1
<b>TOTAL MASS OF REINFORCING STEEL (kg.) = 2970.9</b>													



**METRIC**  
WHOLE NUMBERS INDICATE MILLIMETRES  
DECIMALIZED NUMBERS INDICATE METRES

**APEGM**  
Certificate of Authorization  
Stantec Consulting Ltd.  
No. 1301 Expiry: April 30, 2006

LOCATION APPROVED UNDERGROUND STRUCTURES		B.M. ELEV.
SUPV. U/G STRUCTURES COMMITTEE	DATE	
NOTE: LOCATION OF UNDERGROUND STRUCTURES AS SHOWN ARE BASED ON THE BEST INFORMATION AVAILABLE BUT NO GUARANTEE IS GIVEN THAT ALL EXISTING UTILITIES ARE SHOWN OR THAT THE GIVEN LOCATIONS ARE EXACT. CONFIRMATION OF EXISTENCE AND EXACT LOCATION OF ALL SERVICES MUST BE OBTAINED FROM THE INDIVIDUAL UTILITIES BEFORE PROCEEDING WITH CONSTRUCTION.		
0 ISSUED FOR TENDER	05.10.26	MJB
NO. REVISIONS	DATE	BY

<b>Stantec Consulting Ltd.</b>		ENGINEER'S SEAL
905 Waverley Street, Winnipeg, Manitoba Tel 204-489-5900 Fax 204-453-9012		ORIGINAL SEALED BY M.J. BOISSONNEAULT P. ENG. 05.10.26
DESIGNED BY: KSA/MJB	CHECKED BY: GWM	CONSULTANT DRAWING NO. 113703042-SII
DRAWN BY: JGF/JMB	APPROVED BY: MJB	
HOR. SCALE: AS SHOWN	AUTHORIZED BY: R. FINGAS	DATE: 05.10.26
VERTICAL: AS SHOWN	R. FINGAS, P. ENG. BRIDGE PROJECTS ENGINEER	

<b>THE CITY OF WINNIPEG</b> PUBLIC WORKS DEPARTMENT Winnipeg <b>ENGINEERING DIVISION</b>		SHEET 13 OF 21
<b>KENASTON UNDERPASS</b> KENASTON BLVD. / CN RIVERS SUB. MILE 5.18 RAILWAY BRIDGE CONSTRUCTION		CAD FILE DRAWING NUMBER KU-13-664.dwg
PIER REINFORCING DETAILS SU.2, SU.3, SU.4		CITY DRAWING NUMBER <b>P-3258-137</b>