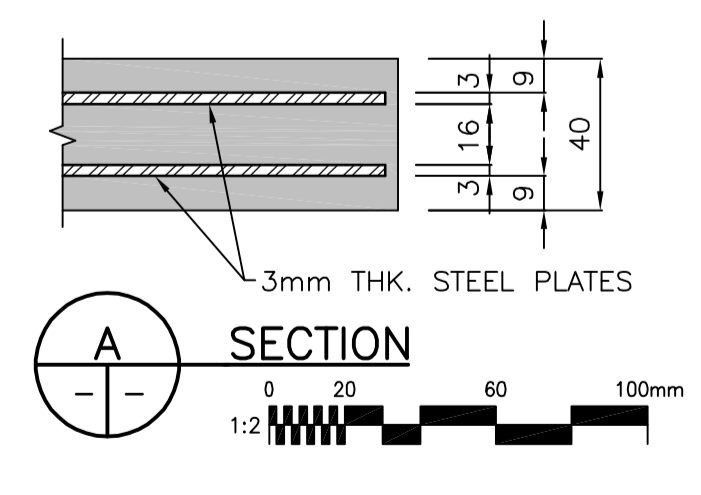
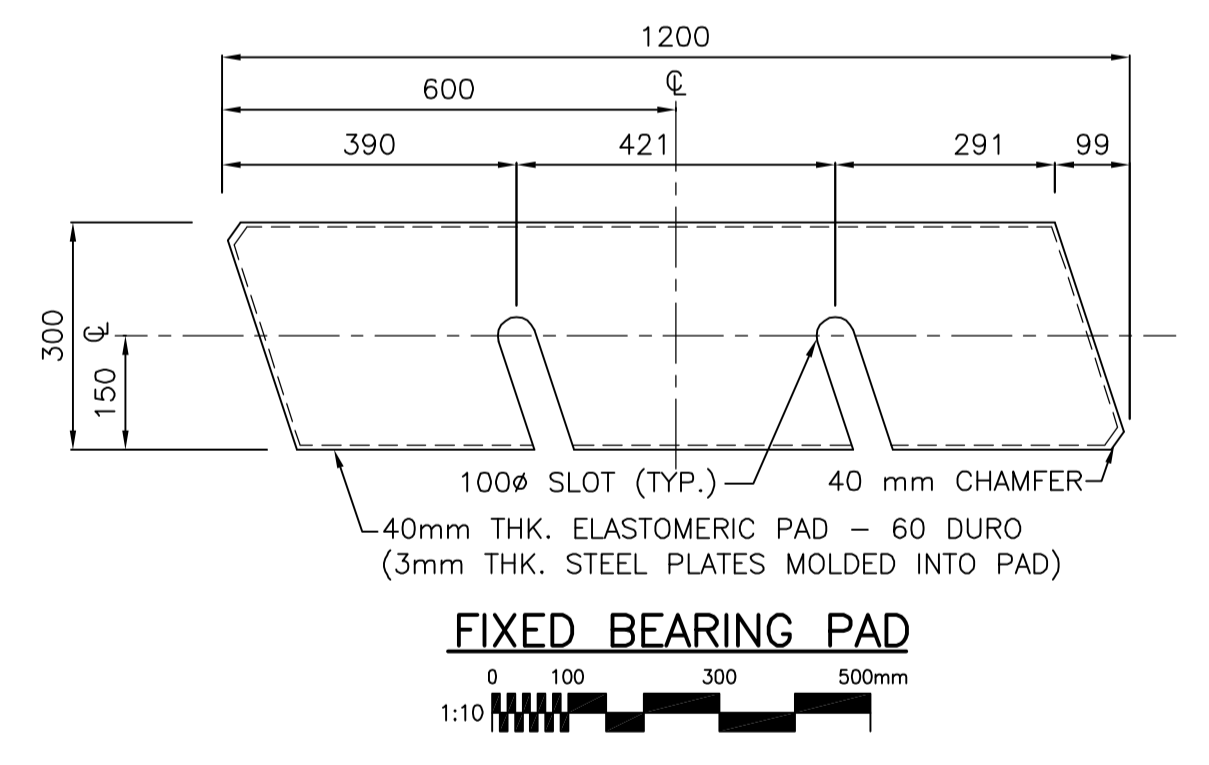
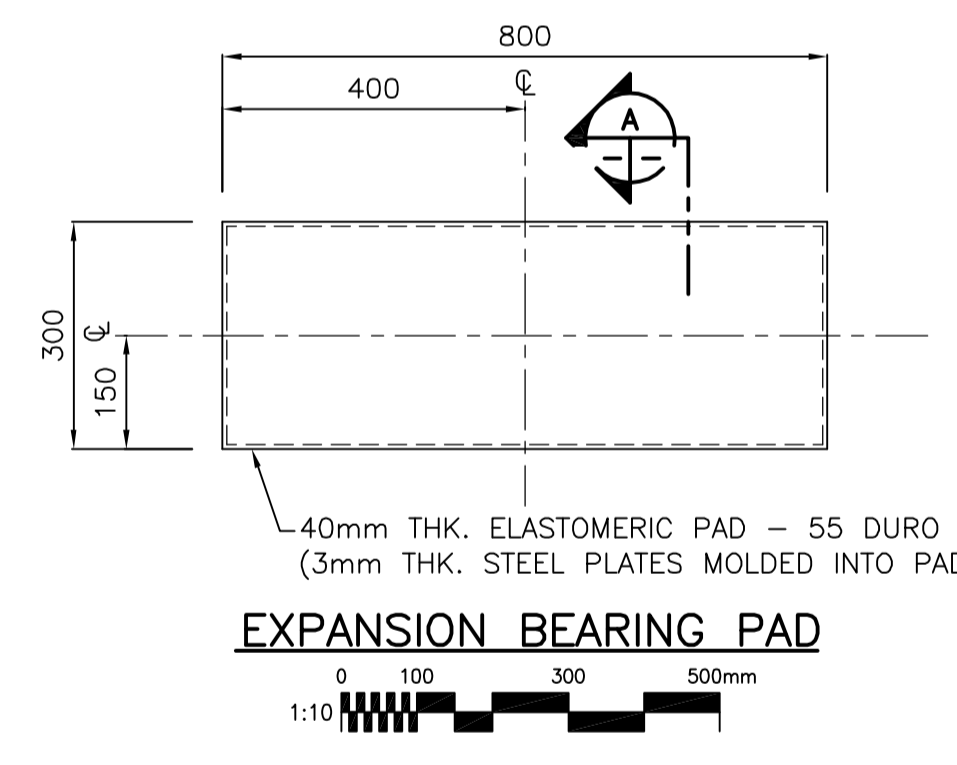
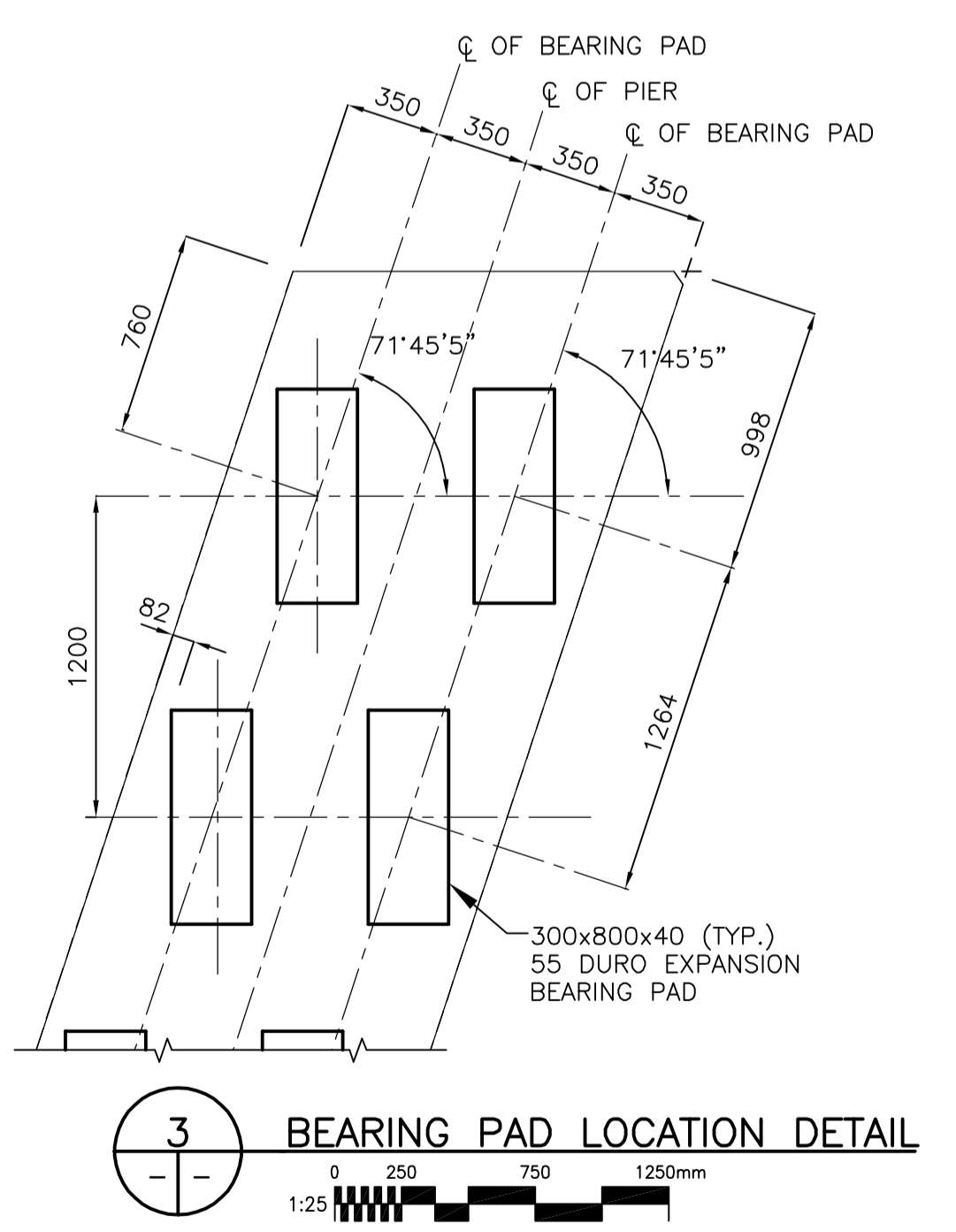
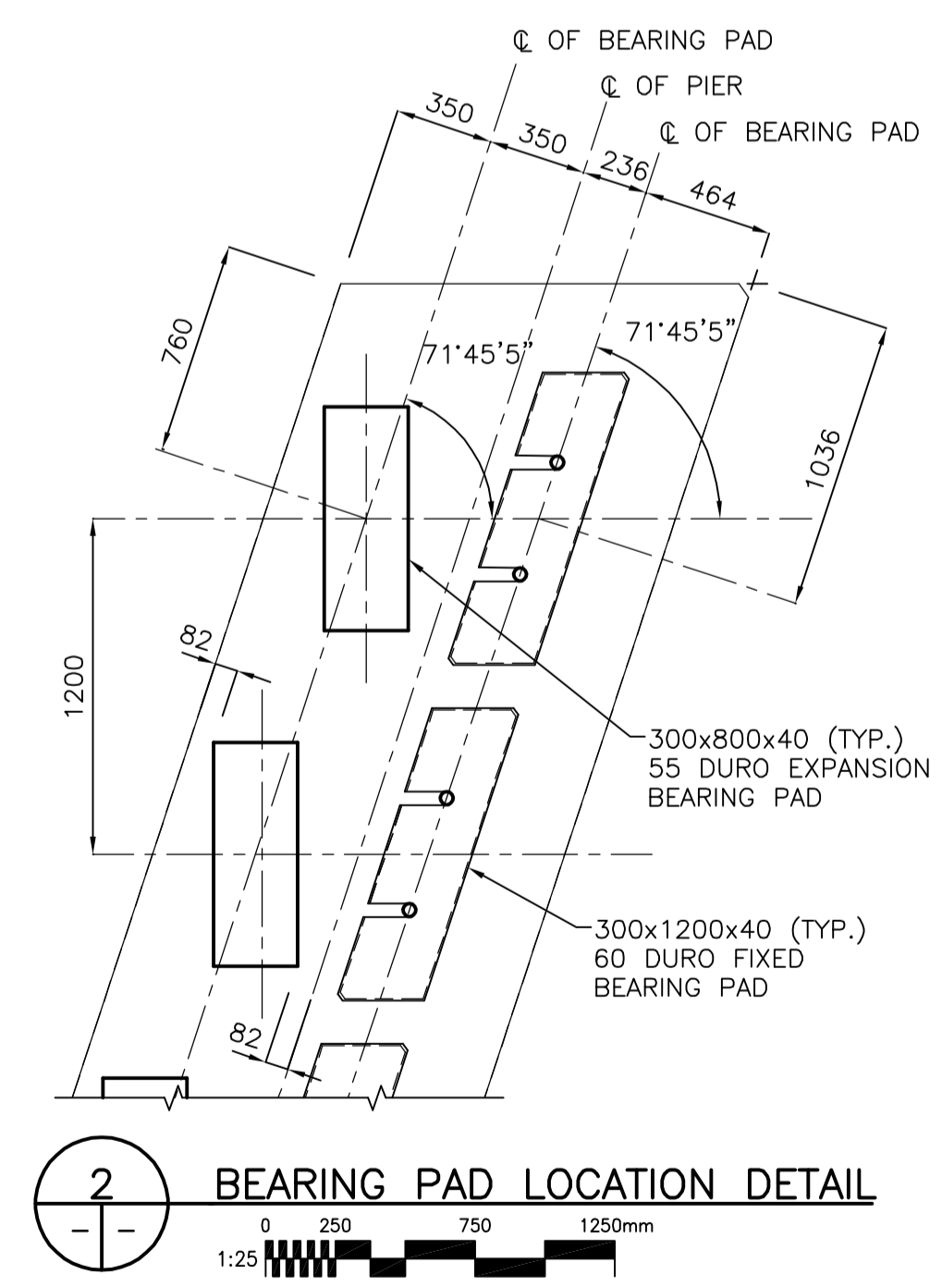
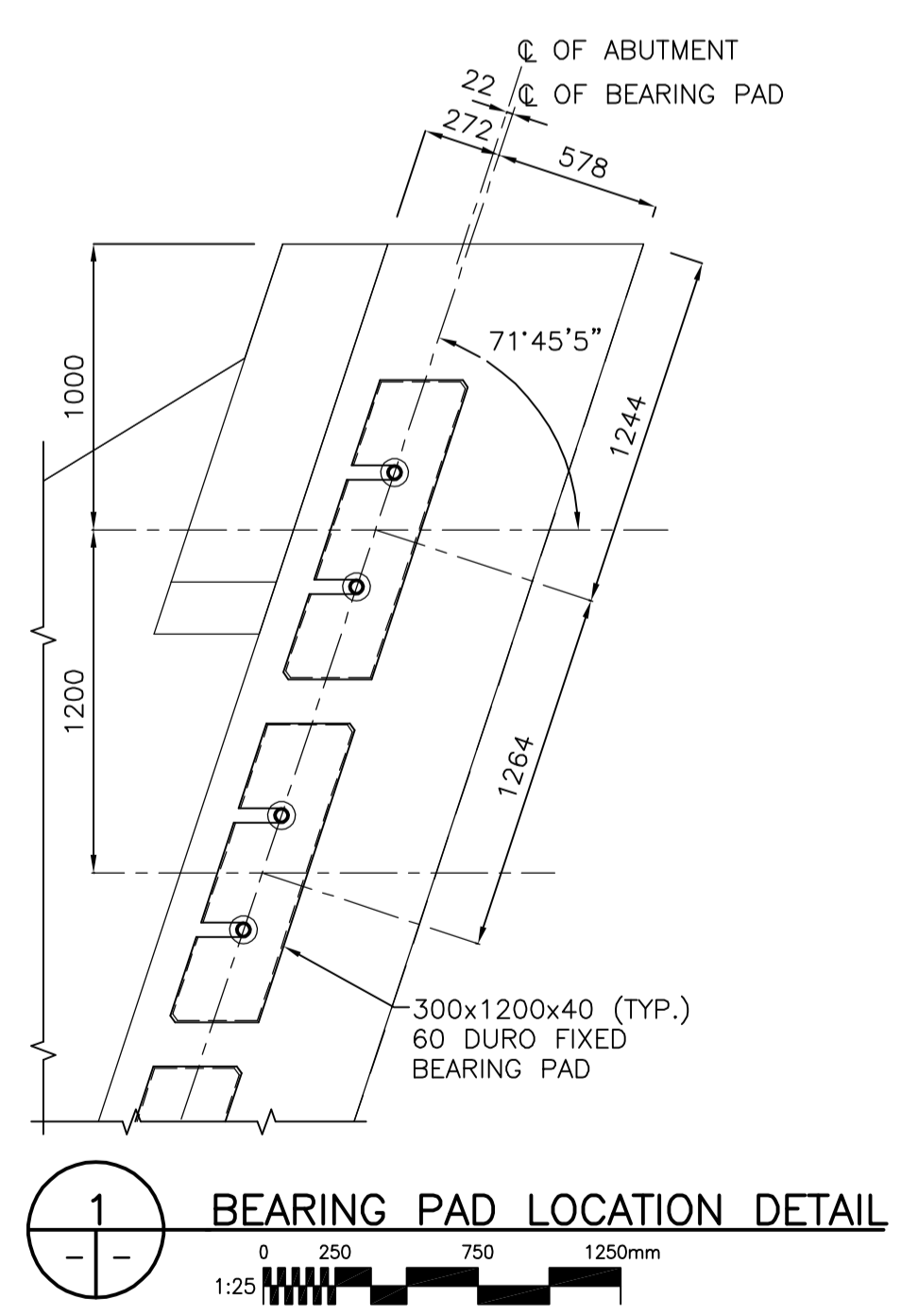


BEARING LAYOUT
1:50



METRIC
WHOLE NUMBERS INDICATE MILLIMETRES
DECIMALIZED NUMBERS INDICATE METRES

APEGM
Certificate of Authorization
Stantec Consulting Ltd.
No. 1301 Expiry: April 30, 2006

V:\11370304 - Kenaston UP DESIGN\CONTRACT - Bridge\Bridg Plot_S\KU-14-664.dwg
2005-10-26 02:11PM By: jrements

LOCATION APPROVED UNDERGROUND STRUCTURES SUPV. U/G STRUCTURES COMMITTEE DATE NOTE: LOCATION OF UNDERGROUND STRUCTURES AS SHOWN ARE BASED ON THE BEST INFORMATION AVAILABLE BUT NO GUARANTEE IS GIVEN THAT ALL EXISTING UTILITIES ARE SHOWN OR THAT THE GIVEN LOCATIONS ARE EXACT. CONFIRMATION OF EXISTENCE AND EXACT LOCATION OF ALL SERVICES MUST BE OBTAINED FROM THE INDIVIDUAL UTILITIES BEFORE PROCEEDING WITH CONSTRUCTION.		B.M. ELEV. NO. REVISIONS DATE BY	Stantec Consulting Ltd. 905 Waverley Street, Winnipeg, Manitoba Tel 204-489-5900 Fax 204-453-9012	ENGINEER'S SEAL ORIGINAL SEALED BY M.J. BOISSONNEAULT P. ENG. 05.10.26
DESIGNED BY: KSA/MJB DRAWN BY: JMB/JGF HOR. SCALE: AS SHOWN VERTICAL: AS SHOWN DATE: 05.09.06	CHECKED BY: GWM APPROVED BY: MJB AUTHORIZED BY: R. FINGAS P. ENG. BRIDGE PROJECTS ENGINEER DATE: 05.10.26	CONSULTANT DRAWING NO. I13703042-S12	THE CITY OF WINNIPEG PUBLIC WORKS DEPARTMENT Winnipeg ENGINEERING DIVISION	
KENASTON UNDERPASS KENASTON BLVD. / CN RIVERS SUB. MILE 5.18 RAILWAY BRIDGE CONSTRUCTION			SHEET 14 OF 21 CAD FILE DRAWING NUMBER KU-14-664.dwg CITY DRAWING NUMBER P-3258-138	BEARING LAYOUT & DETAILS