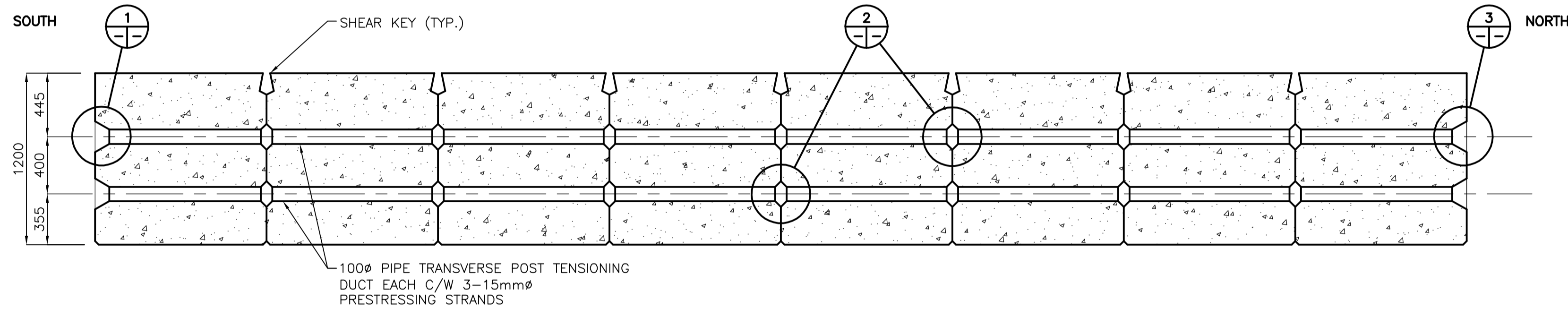
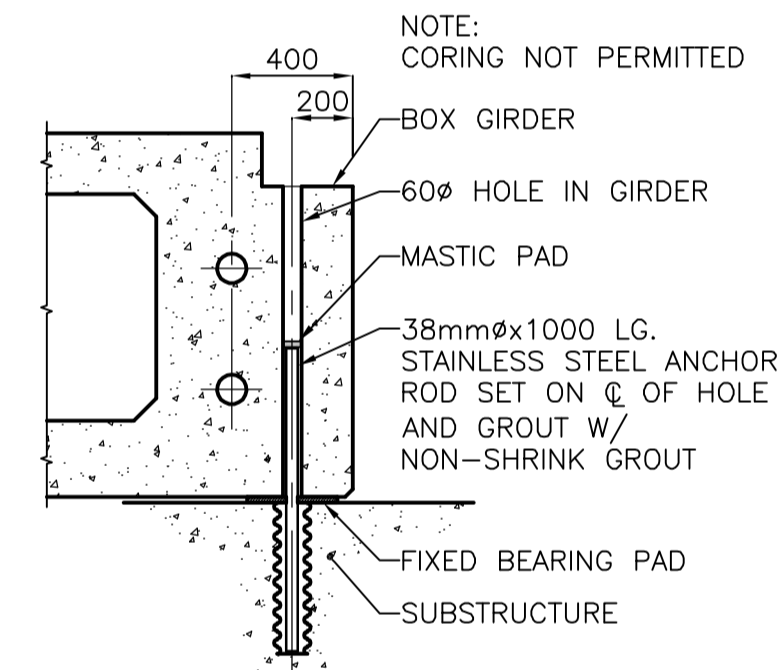


PRECAST, PRESTRESSED CONCRETE BOX GIRDER LAYOUT



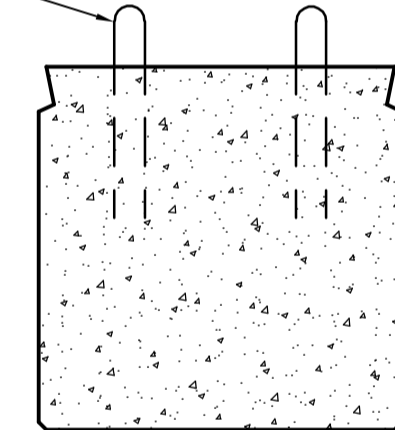
NOTE:
LATERAL BRACING DESIGNED AND
INSTALLED BY CONTRACTOR



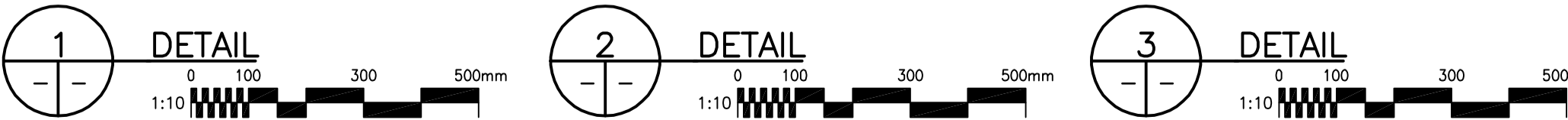
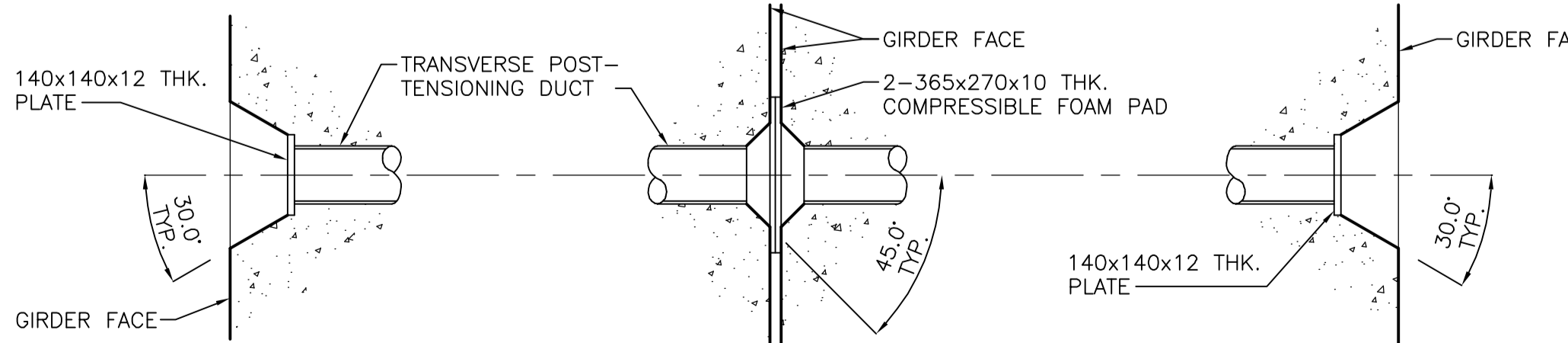
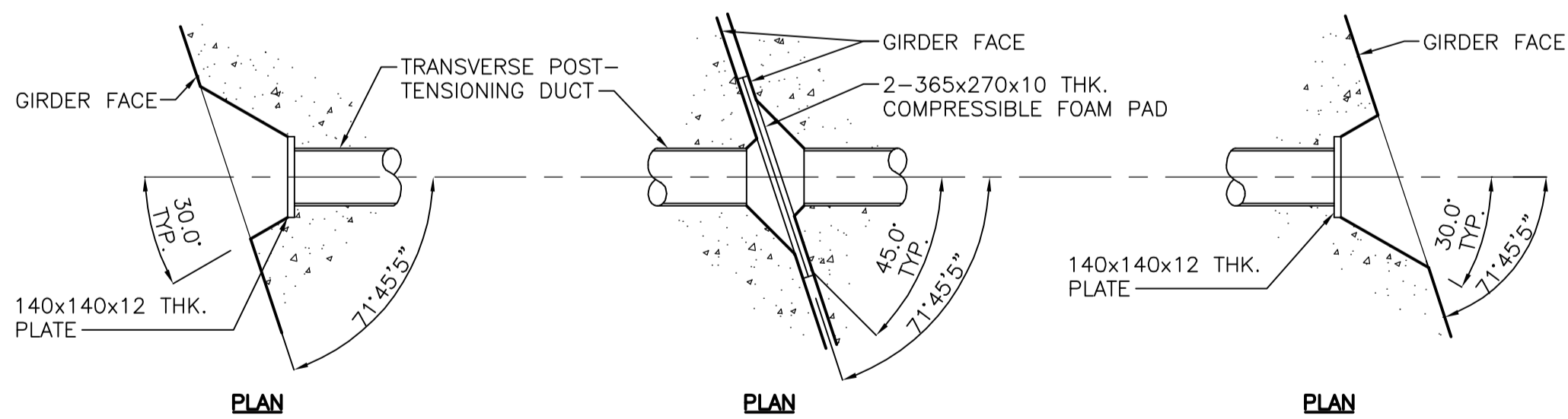
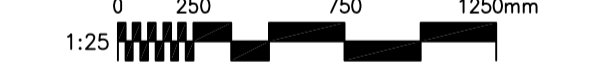
ANCHORAGE DETAIL



LIFTING DEVICES:
THE GIRDER FABRICATOR SHALL BE
RESPONSIBLE FOR THE SUPPLY AND
INSTALLATION OF ADEQUATE LIFTING DEVICES
IN THE LOCATION DETERMINED BY THE
CONTRACTOR. CUT OFF FLUSH AFTER
ERECTION.



LIFTING DEVICE DETAIL



- NOTE:
- INSTALL INSERTS AS REQUIRED TO SUIT LIGHT FIXTURE INSTALLATION.
 - PREPARE AND SUBMIT SHOP DRAWINGS SHOWING LOCATION AT PROPOSED INSERTS FOR SURFACE MOUNT LIGHT FIXTURES.

METRIC

WHOLE NUMBERS INDICATE MILLIMETRES
DECIMALIZED NUMBERS INDICATE METRES

APEGM
Certificate of Authorization
Stantec Consulting Ltd.
No. 1301 Expiry: April 30, 2006

THE CITY OF WINNIPEG
PUBLIC WORKS DEPARTMENT
Winnipeg **ENGINEERING DIVISION**

KENASTON UNDERPASS
KENASTON BLVD. / CN RIVERS SUB. MILE 5.18
RAILWAY BRIDGE CONSTRUCTION

SHEET 15 OF 21
CAD FILE DRAWING NUMBER KU-15-664.dwg
CITY DRAWING NUMBER P-3258-139

LOCATION APPROVED UNDERGROUND STRUCTURES

SUPV. U/G STRUCTURES COMMITTEE DATE

NOTE:
LOCATION OF UNDERGROUND STRUCTURES AS SHOWN ARE BASED ON THE BEST INFORMATION AVAILABLE BUT NO GUARANTEE IS GIVEN THAT ALL EXISTING UTILITIES ARE SHOWN OR THAT THE GIVEN LOCATIONS ARE EXACT. CONFIRMATION OF EXISTENCE AND EXACT LOCATION OF ALL SERVICES MUST BE OBTAINED FROM THE INDIVIDUAL UTILITIES BEFORE PROCEEDING WITH CONSTRUCTION.

B.M. ELEV.			
DESIGNED BY	MJB	CHECKED BY	GPD
DRAWN BY	JMB	APPROVED BY	MJB
HOR. SCALE:	AS SHOWN	AUTHORIZED BY:	DATE
VERTICAL:	AS SHOWN	R. FINGAS	05.10.26
ISSUED FOR TENDER	05.10.26	R. FINGAS, P. ENG.	
NO. REVISIONS	DATE	BY	DATE
			05.08.28

Stantec Consulting Ltd.
905 Waverley Street, Winnipeg, Manitoba
Tel 204-489-5900 Fax 204-453-9012

DESIGNED BY: MJB
DRAWN BY: JMB
HOR. SCALE: AS SHOWN
VERTICAL: AS SHOWN

ENGINEER'S SEAL
ORIGINAL SEALED BY: M.J. BOISSONNEAULT
P. ENG. 05.10.26

CONSULTANT DRAWING NO. I13703042-S13

ENGINEER'S SEAL
ORIGINAL SEALED BY: M.J. BOISSONNEAULT
P. ENG. 05.10.26