

BILL OF REINFORCING STEEL 'G3' (24 TOTAL)

STRAIGHT BARS				BENT BARS			
MARK	QTY.	LENGTH (mm)	MASS (kg)	MARK	QTY.	TYPE	MASS (kg)
G1501	12	17860	336.5	G1502	24	A	58.8
G2501	12	17860	841.2	G1503	248	A	603.9
				G1504	10	A	28.2
				G1505	2	D	5.8
				G1506	2	D	5.7
				G1507	2	A	5.5
				G1508	61	D	172.4
				G1509	61	A	166.3
				G1510	8	A	10.8
				G1511	12	B	52.0
				G1512	24	C	64.1
				G1513	44	E	72.5
				G1514	43	F	90.1
TOTAL MASS OF REINFORCING STEEL (kg.) = 2351.1							

BILL OF REINFORCING STEEL 'G1' (4 TOTAL)

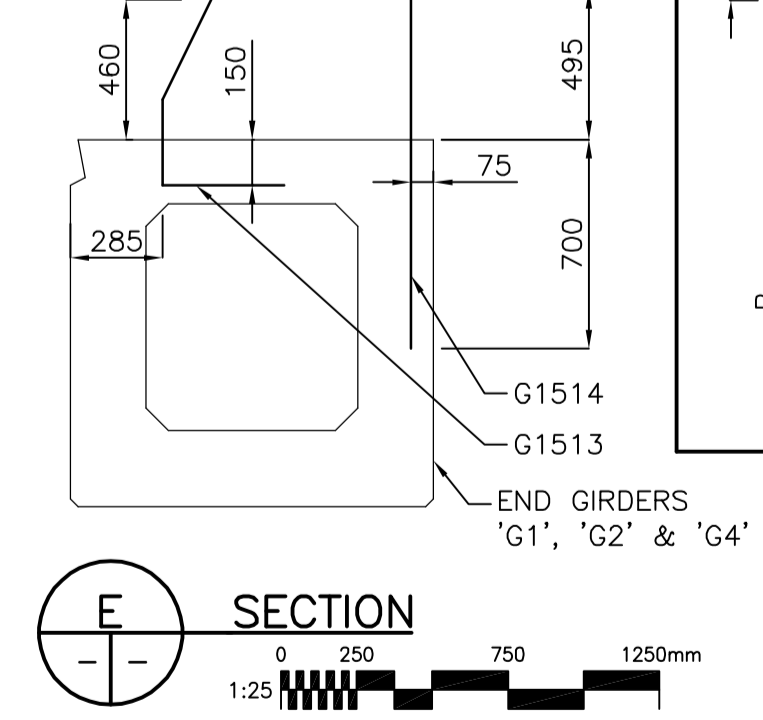
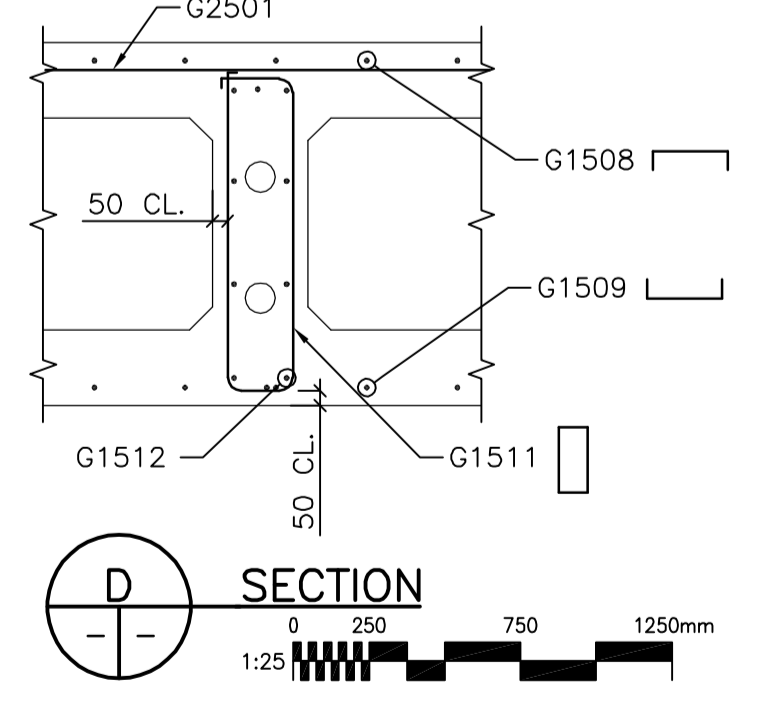
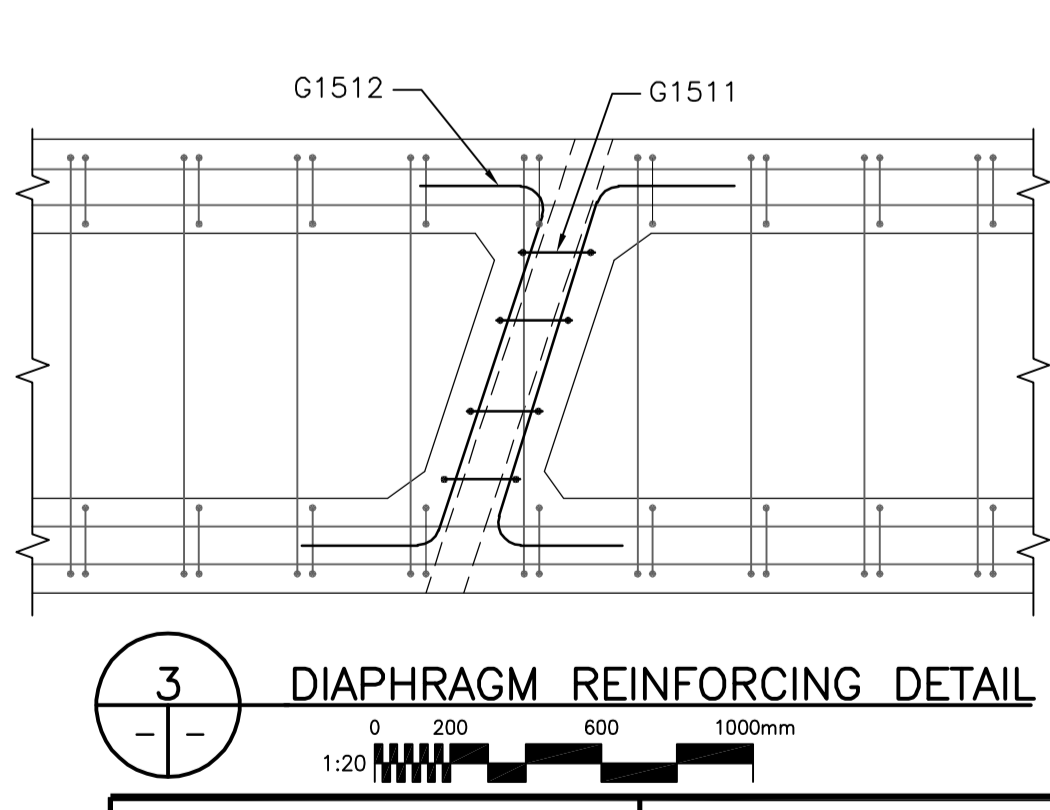
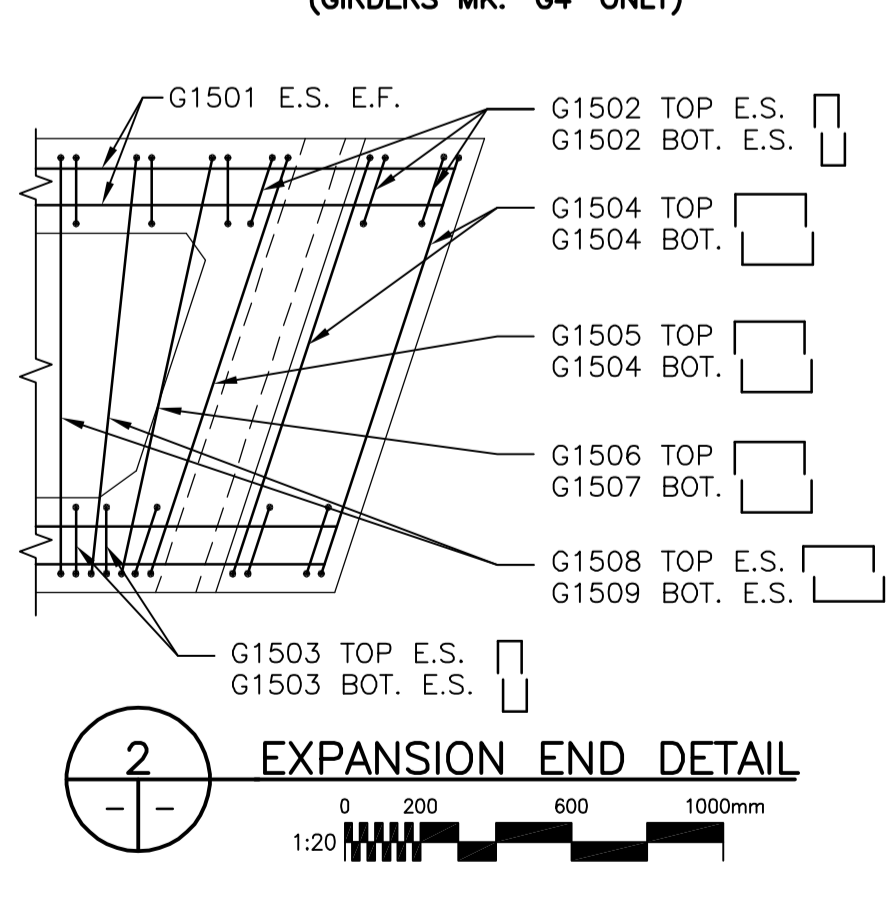
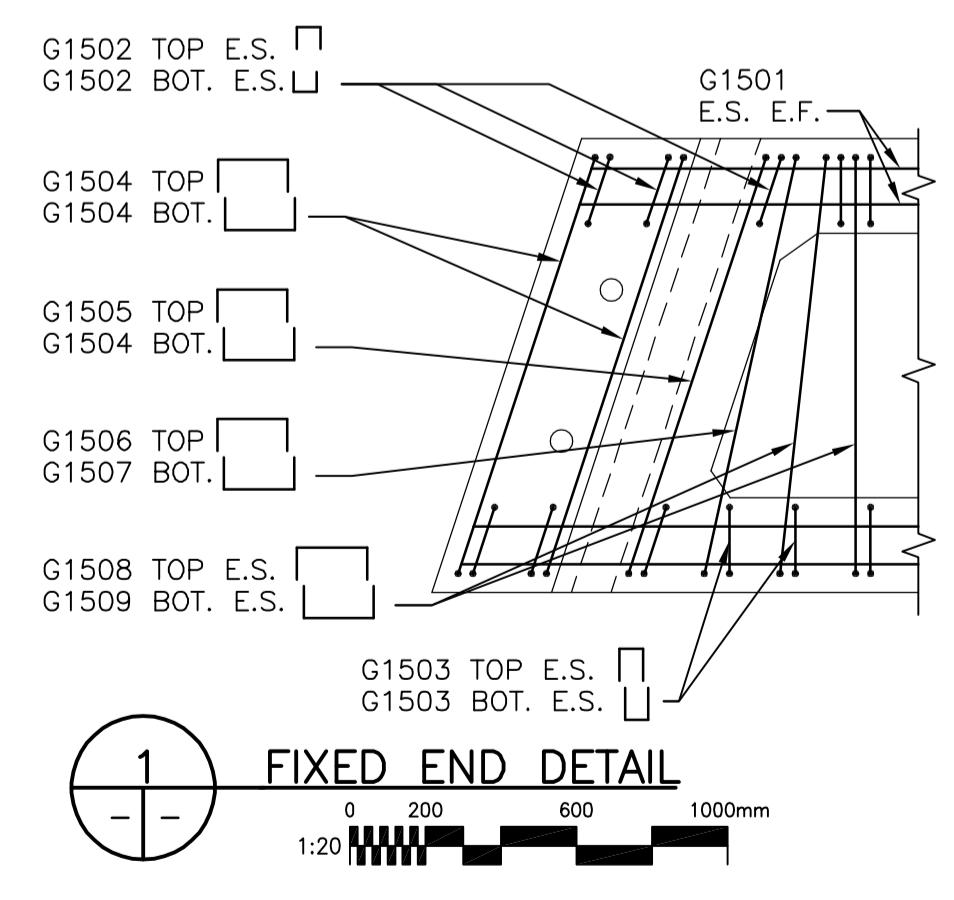
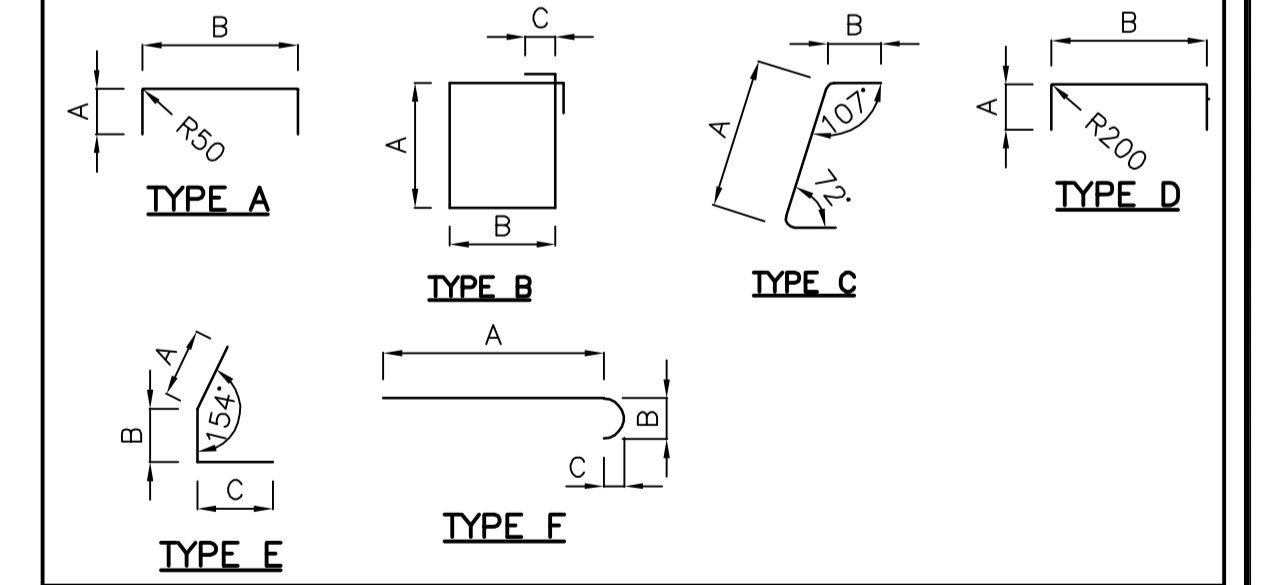
STRAIGHT BARS				BENT BARS			
MARK	QTY.	LENGTH (mm)	MASS (kg)	MARK	QTY.	TYPE	MASS (kg)
G1501	12	17860	336.5	G1502	24	A	58.8
G2501	12	17860	841.2	G1503	248	A	603.9
				G1504	10	A	28.2
				G1505	2	D	5.8
				G1506	2	D	5.7
				G1507	2	A	5.5
				G1508	61	D	172.4
				G1509	61	A	166.3
				G1510	8	A	10.8
				G1511	12	B	52.0
				G1512	24	C	64.1
				G1513	44	E	72.5
				G1514	43	F	90.1
TOTAL MASS OF REINFORCING STEEL (kg.) = 2513.8							

BILL OF REINFORCING STEEL 'G2' (2 TOTAL)

STRAIGHT BARS				BENT BARS			
MARK	QTY.	LENGTH (mm)	MASS (kg)	MARK	QTY.	TYPE	MASS (kg)
G1501	12	17860	336.5	G1502	24	A	58.8
G2501	12	17860	841.2	G1503	248	A	603.9
				G1504	10	A	28.2
				G1505	2	D	5.8
				G1506	2	D	5.7
				G1507	2	A	5.5
				G1508	61	D	172.4
				G1509	61	A	166.3
				G1510	8	A	10.8
				G1511	12	B	52.0
				G1512	24	C	64.1
				G1513	44	E	72.5
				G1514	43	F	90.1
TOTAL MASS OF REINFORCING STEEL (kg.) = 2513.8							

BILL OF REINFORCING STEEL 'G4' (2 TOTAL)

STRAIGHT BARS				BENT BARS			
MARK	QTY.	LENGTH (mm)	MASS (kg)	MARK	QTY.	TYPE	MASS (kg)
G1501	12	17860	336.5	G1502	24	A	58.8
G2501	12	17860	841.2	G1503	248	A	603.9
				G1504	10	A	28.2
				G1505	2	D	5.8
				G1506	2	D	5.7
				G1507	2	A	5.5
				G1508	61	D	172.4
				G1509	61	A	166.3
				G1510	8	A	10.8
				G1511	12	B	52.0
				G1512	24	C	64.1
				G1513	56	E	92.3
				G1514	55	F	115.3
TOTAL MASS OF REINFORCING STEEL (kg.) = 2558.7							



LOCATION APPROVED UNDERGROUND STRUCTURES

SUPV. U/G STRUCTURES COMMITTEE DATE

NOTE: LOCATION OF UNDERGROUND STRUCTURES AS SHOWN ARE BASED ON THE BEST INFORMATION AVAILABLE BUT NO GUARANTEE IS GIVEN THAT ALL EXISTING UTILITIES ARE SHOWN OR THAT THE GIVEN LOCATIONS ARE EXACT. CONFIRMATION OF EXISTENCE AND EXACT LOCATION OF ALL SERVICES MUST BE OBTAINED FROM THE INDIVIDUAL UTILITIES BEFORE PROCEEDING WITH CONSTRUCTION.

ISSUED FOR TENDER	05.10.26	MJB
NO. REVISIONS	DATE	BY

Stantec Consulting Ltd.

905 Waverley Street, Winnipeg, Manitoba
Tel 204-489-5900 Fax 204-453-9012

DESIGNED BY	MJB	CHECKED BY	PD
DRAWN BY	JGF/JMB	APPROVED BY	MJB
HOR. SCALE:	AS SHOWN	AUTHORIZED BY:	DATE
VERTICAL:	AS SHOWN	R. FINGAS	05.10.26
		R. FINGAS, P. ENG.	
		BRIDGE PROJECTS ENGINEER	

ENGINEER'S SEAL

ORIGINAL SEALED BY
M.J. BOISSONNEAULT
P. ENG.
05.10.26

CONSULTANT DRAWING NO.
I13703042-S15

THE CITY OF WINNIPEG
PUBLIC WORKS DEPARTMENT
Winnipeg ENGINEERING DIVISION

KENASTON UNDERPASS
KENASTON BLVD. / CN RIVERS SUB. MILE 5.18
RAILWAY BRIDGE CONSTRUCTION

SHEET 17 OF 21
CAD FILE DRAWING NUMBER
KU-17-664.dwg
CITY DRAWING NUMBER
P-3258-I41

PRECAST PRESTRESSED CONCRETE BOX GIRDER
GIRDER REINFORCING

METRIC
WHOLE NUMBERS INDICATE MILLIMETRES
DECIMALIZED NUMBERS INDICATE METRES

APEGN
Certificate of Authorization
Stantec Consulting Ltd.
No. 1301 Expiry: April 30, 2006