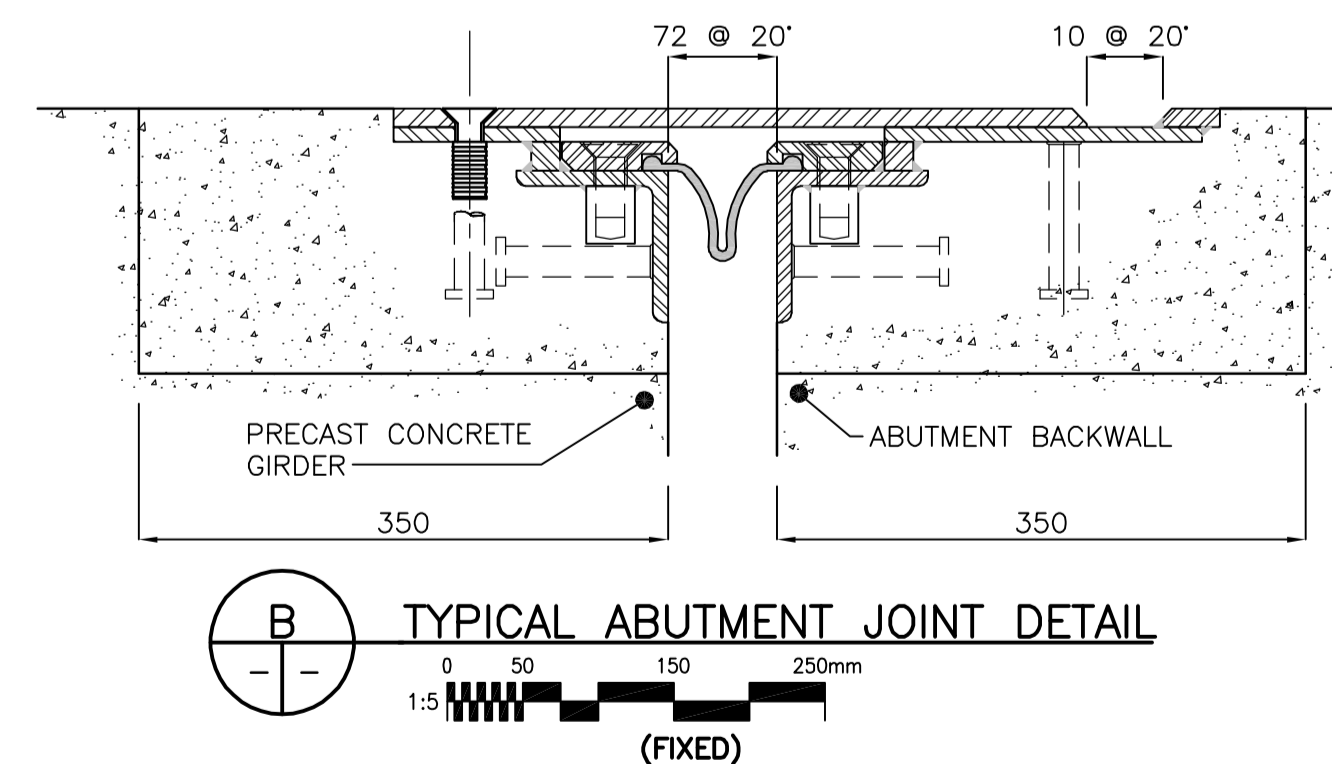
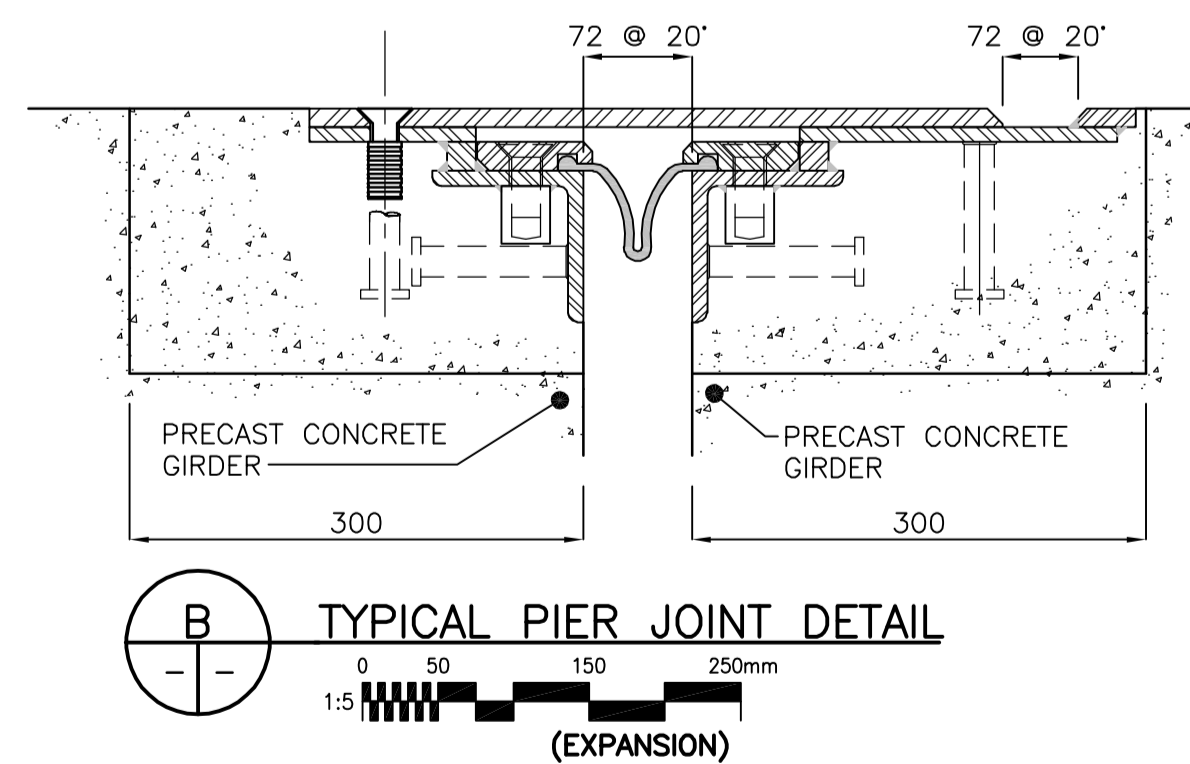
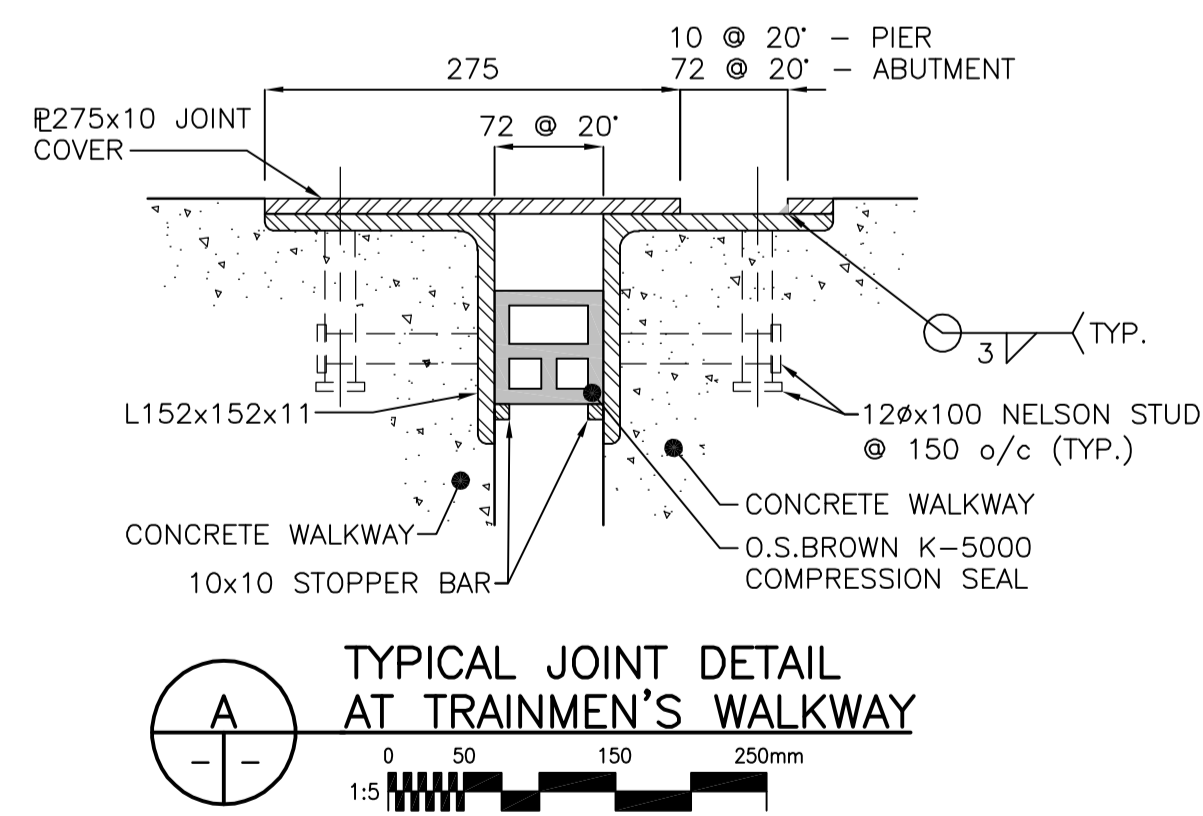
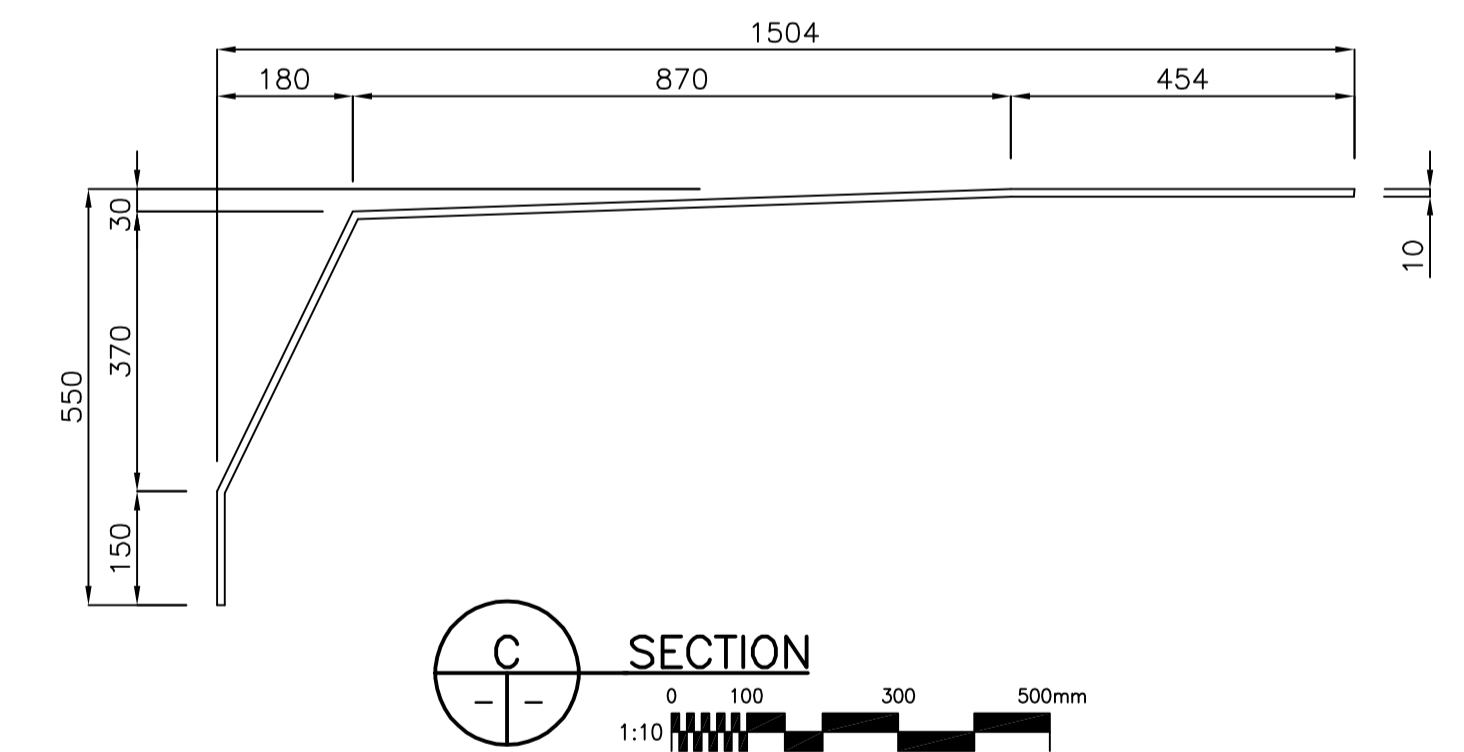


ELEVATION OF JOINT
1:25

NOTE:
PIER JOINTS SHOWN,
ABUTMENT JOINTS SIMILAR



SECTION C
1:10

METRIC

WHOLE NUMBERS INDICATE MILLIMETRES
DECIMALIZED NUMBERS INDICATE METRES

APEGM
Certificate of Authorization
Stantec Consulting Ltd.
No. 1301 Expiry: April 30, 2006

THE CITY OF WINNIPEG
PUBLIC WORKS DEPARTMENT
Winnipeg **ENGINEERING DIVISION**

KENASTON UNDERPASS
KENASTON BLVD. / CN RIVERS SUB. MILE 5.18
RAILWAY BRIDGE CONSTRUCTION

SHEET **18** OF **21**

CAD FILE DRAWING NUMBER
KU-18-664.dwg

CITY DRAWING NUMBER
P-3258-142

ENGINEER'S SEAL
ORIGINAL SEALED BY
M.J. BOISSONNEAULT
P. ENG.
05.10.26
CONSULTANT DRAWING NO.
I13703042-S16

Stantec Consulting Ltd.
905 Waverley Street, Winnipeg, Manitoba
Tel 204-489-5900 Fax 204-453-9012

DESIGNED BY	KSA	CHECKED BY	MJB
DRAWN BY	JMB	APPROVED BY	GWM
HOR. SCALE:	AS SHOWN	AUTHORIZED BY:	DATE
VERTICAL:	AS SHOWN	R. FINGAS	05.10.26
		R. FINGAS, P. ENG.	
		BRIDGE PROJECTS ENGINEER	

LOCATION APPROVED UNDERGROUND STRUCTURES		B.M. ELEV.
SUPV. U/G STRUCTURES COMMITTEE	DATE	
NOTE: LOCATION OF UNDERGROUND STRUCTURES AS SHOWN ARE BASED ON THE BEST INFORMATION AVAILABLE BUT NO GUARANTEE IS GIVEN THAT ALL EXISTING UTILITIES ARE SHOWN OR THAT THE GIVEN LOCATIONS ARE EXACT. CONFIRMATION OF EXISTENCE AND EXACT LOCATION OF ALL SERVICES MUST BE OBTAINED FROM THE INDIVIDUAL UTILITIES BEFORE PROCEEDING WITH CONSTRUCTION.		
NO.	REVISIONS	DATE BY
0	ISSUED FOR TENDER	05.10.26 MJB
		DATE 05.09.08