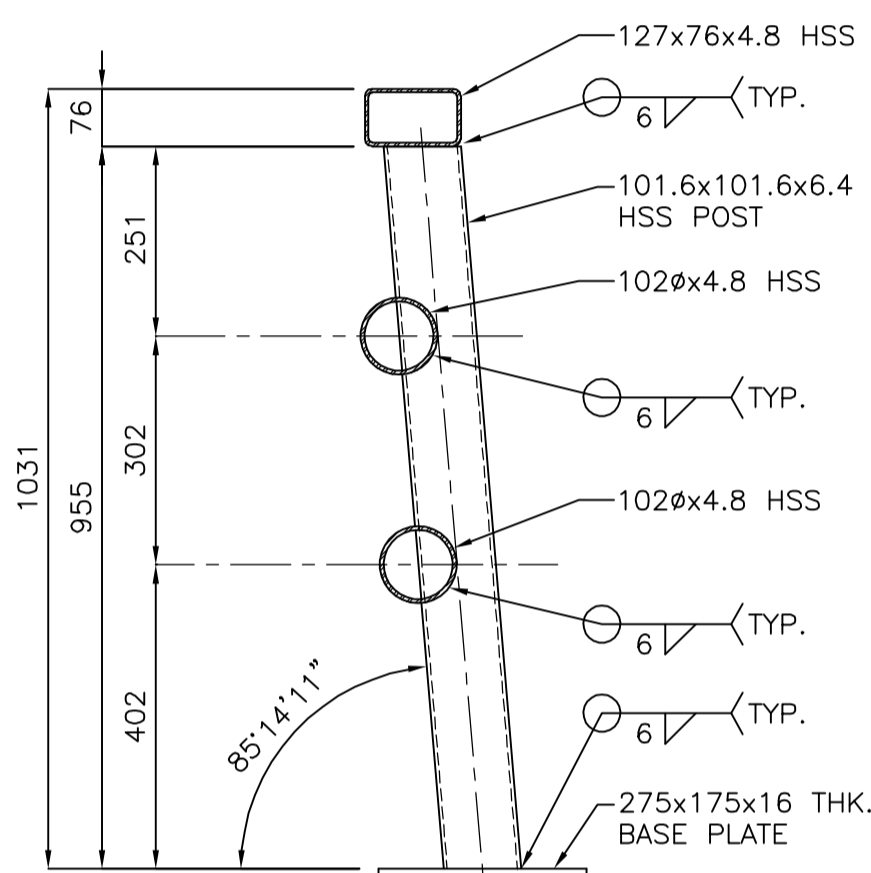
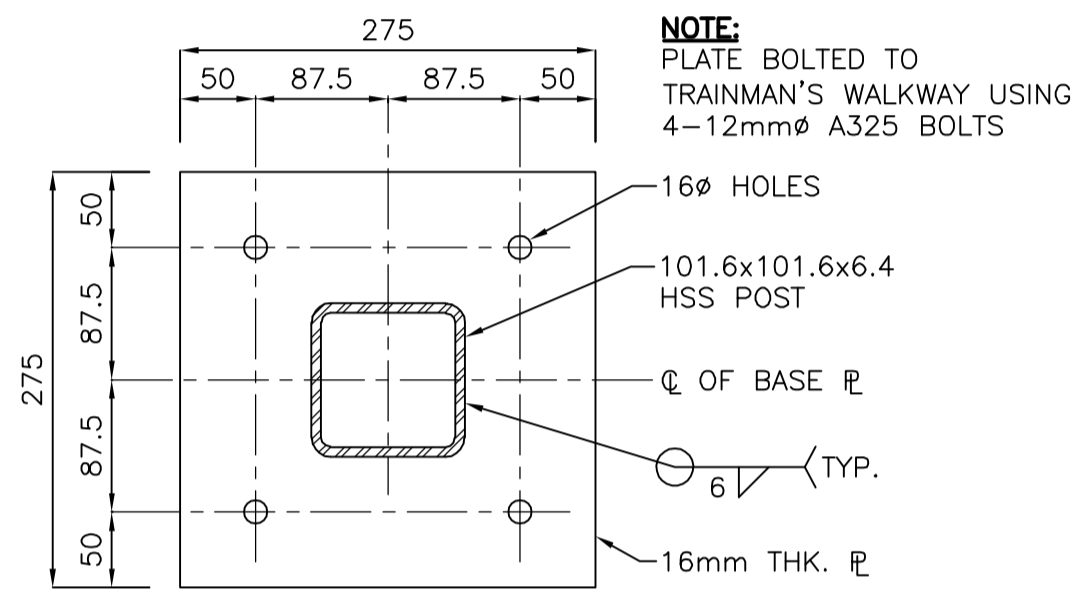


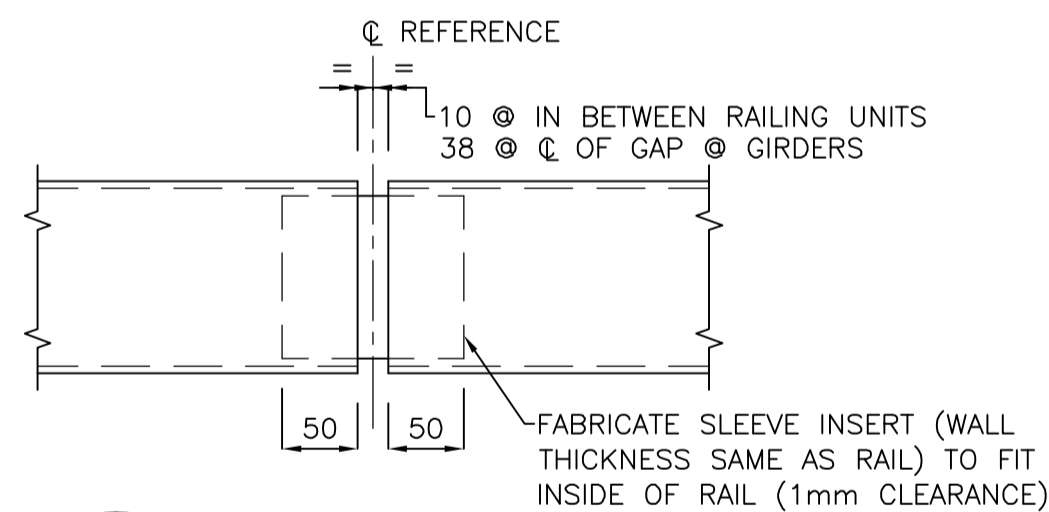
ELEVATION OF BRIDGE RAILING UNITS



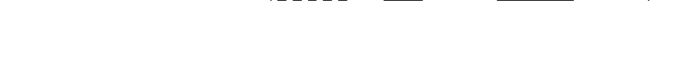
SECTION OF POST MK. 'P1'



BASE PLATE DETAIL



RAIL JOINT DETAIL



METRIC  
WHOLE NUMBERS INDICATE MILLIMETRES  
DECIMALIZED NUMBERS INDICATE METRES

THE CITY OF WINNIPEG  
PUBLIC WORKS DEPARTMENT  
Winnipeg ENGINEERING DIVISION

**KENASTON UNDERPASS**  
KENASTON BLVD. / CN RIVERS SUB. MILE 5.18  
RAILWAY BRIDGE CONSTRUCTION

SHEET 20 OF 21  
CAD FILE DRAWING NUMBER KU-20-664.dwg  
CITY DRAWING NUMBER P-3258-144

LOCATION APPROVED UNDERGROUND STRUCTURES

SUPV. U/G STRUCTURES COMMITTEE DATE

NOTE:  
LOCATION OF UNDERGROUND STRUCTURES AS SHOWN ARE BASED ON THE BEST INFORMATION AVAILABLE BUT NO GUARANTEE IS GIVEN THAT ALL EXISTING UTILITIES ARE SHOWN OR THAT THE GIVEN LOCATIONS ARE EXACT. CONFIRMATION OF EXISTENCE AND EXACT LOCATION OF ALL SERVICES MUST BE OBTAINED FROM THE INDIVIDUAL UTILITIES BEFORE PROCEEDING WITH CONSTRUCTION.

B.M. ELEV.	NO.	REVISIONS	DATE	BY
	0	ISSUED FOR TENDER	05.10.26	MJB

Stantec Consulting Ltd.  
905 Waverley Street, Winnipeg, Manitoba  
Tel 204-489-5900 Fax 204-453-9012

DESIGNED BY	KSA/MJB	CHECKED BY	GWM
DRAWN BY	JMB	APPROVED BY	MJB
HOR. SCALE:	AS SHOWN	AUTHORIZED BY:	DATE
VERTICAL:	AS SHOWN	R. FINGAS	05.10.26
		R. FINGAS, P. ENG.	
		BRIDGE PROJECTS ENGINEER	

ENGINEER'S SEAL  
ORIGINAL SEALED BY  
M.J. BOISSONNEAULT  
P. ENG.  
05.10.26  
CONSULTANT DRAWING NO.  
II3703042-S20