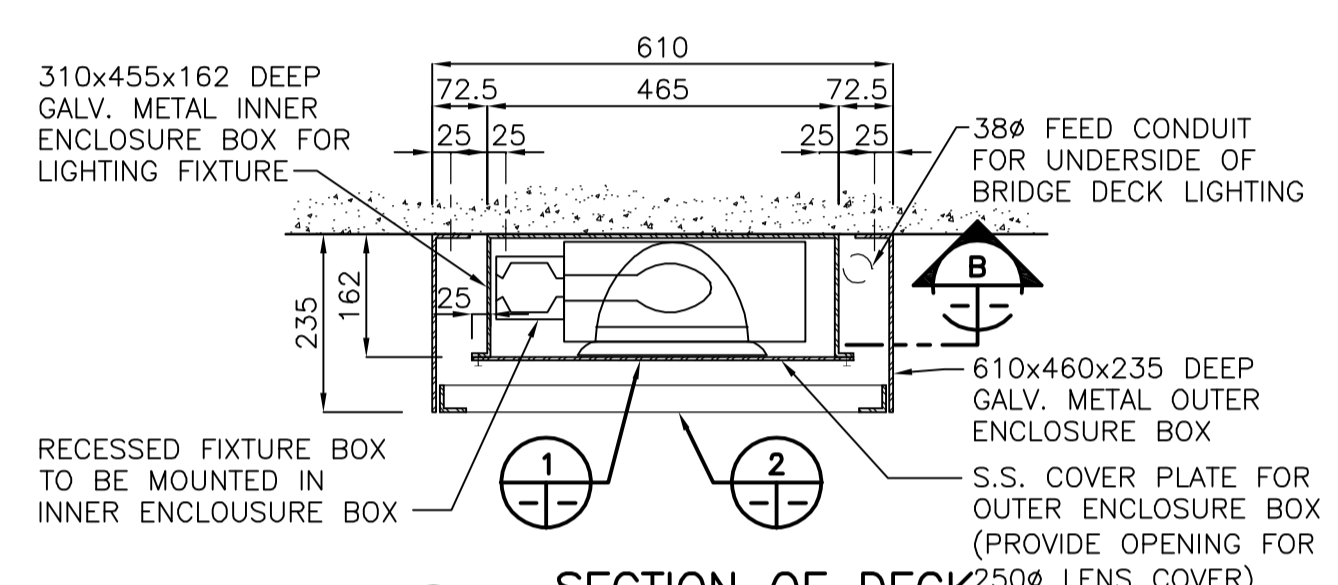
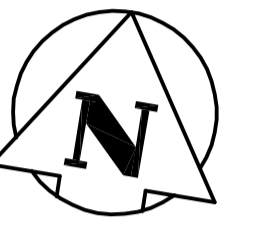
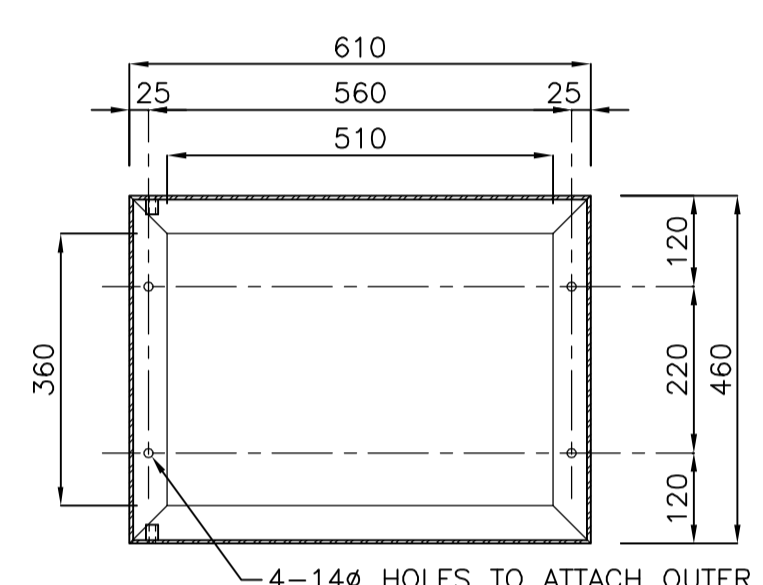


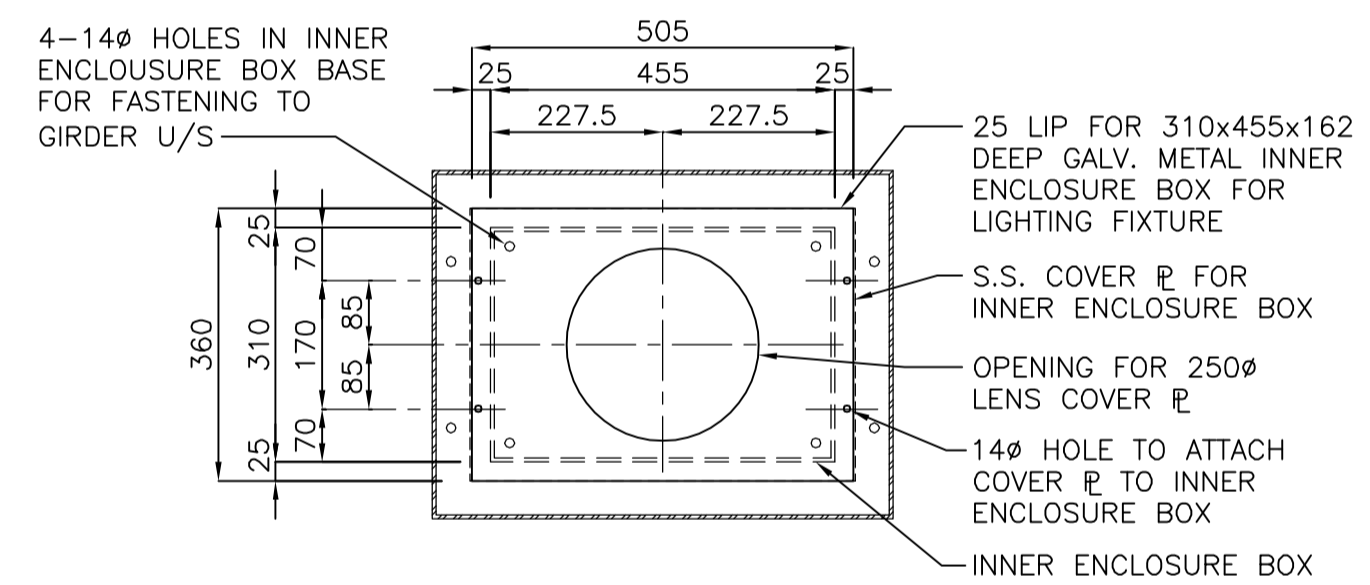
LIGHTING LAYOUT
1:125



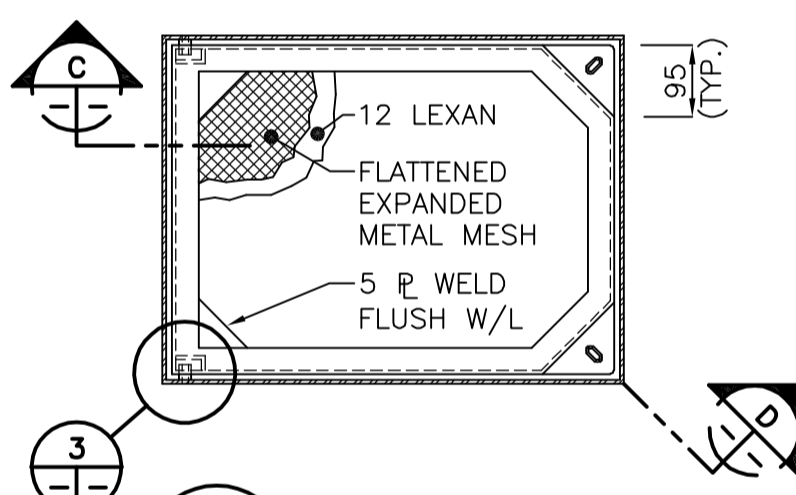
SECTION OF DECK MOUNTED LIGHT FIXTURE
1:10



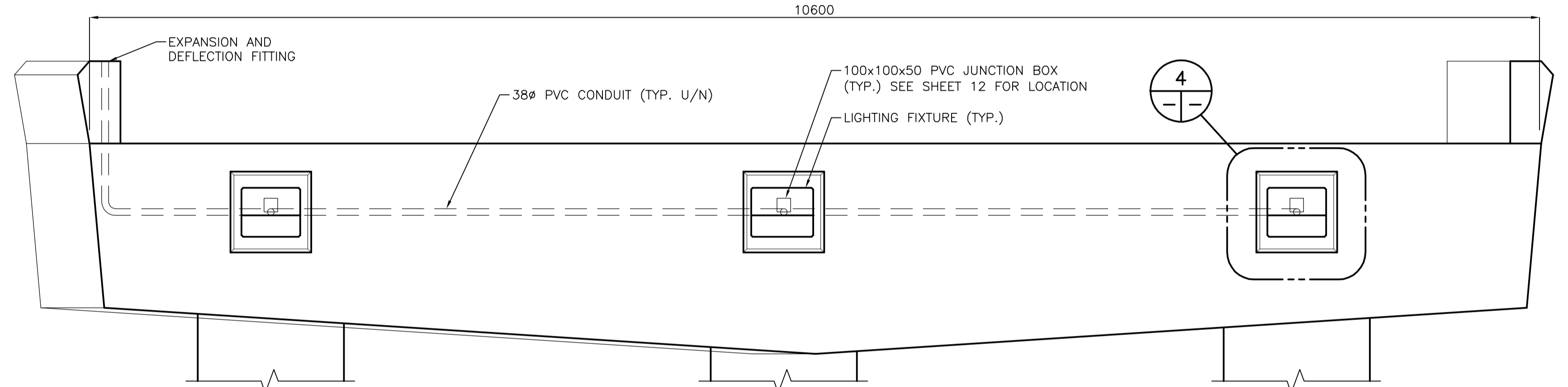
PLAN OF OUTER ENCLOSURE BOX
1:10



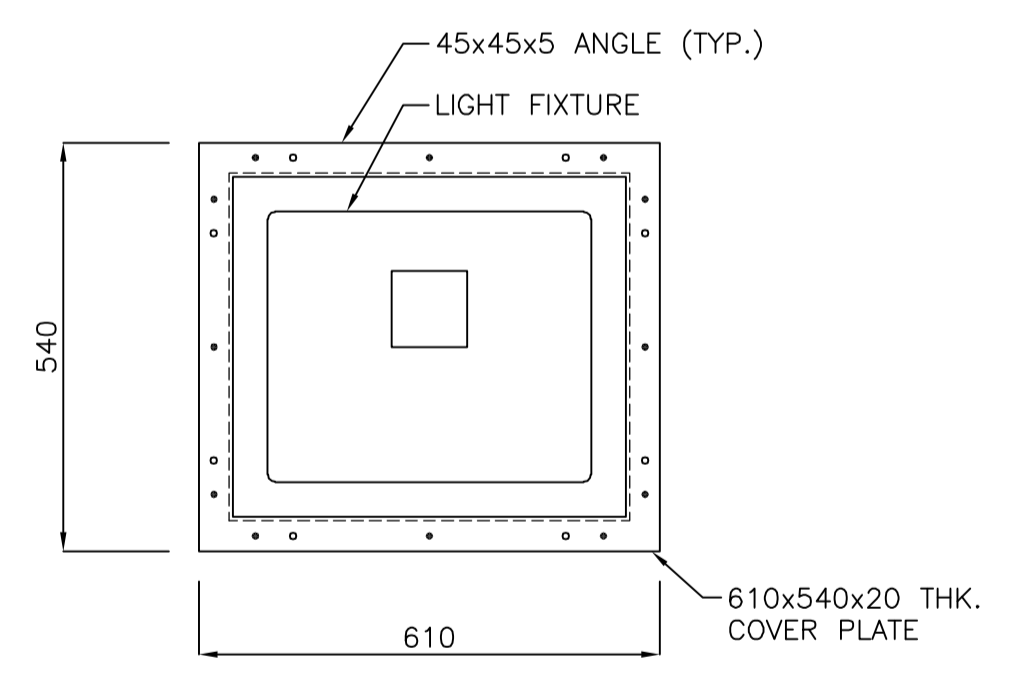
DETAIL OF INNER ENCLOSURE BOX AND COVER PLATE
1:10



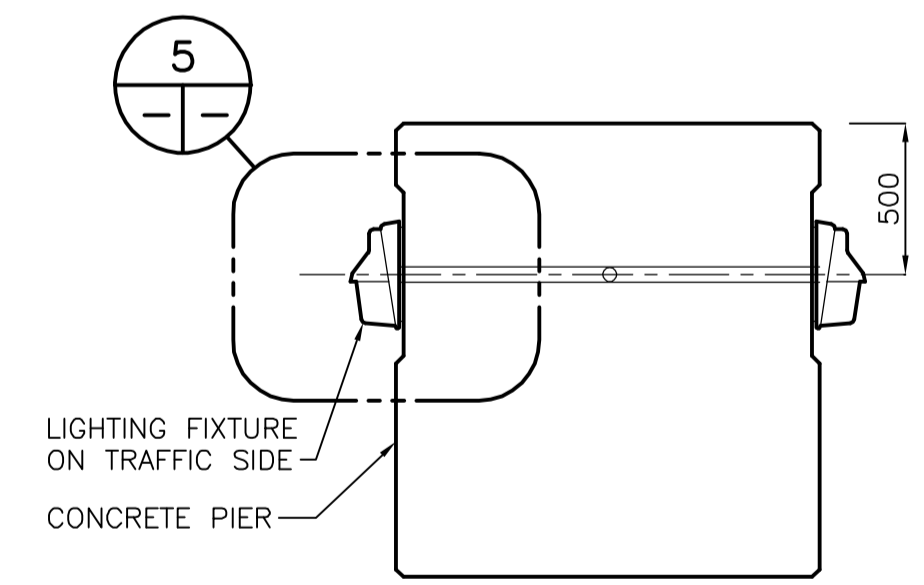
DETAIL
1:10



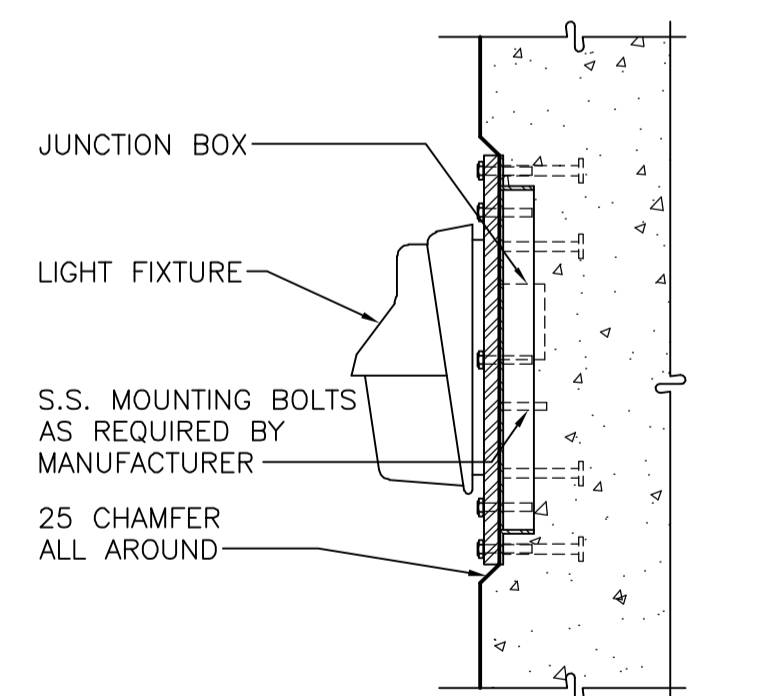
TYPICAL ELEVATION
1:25



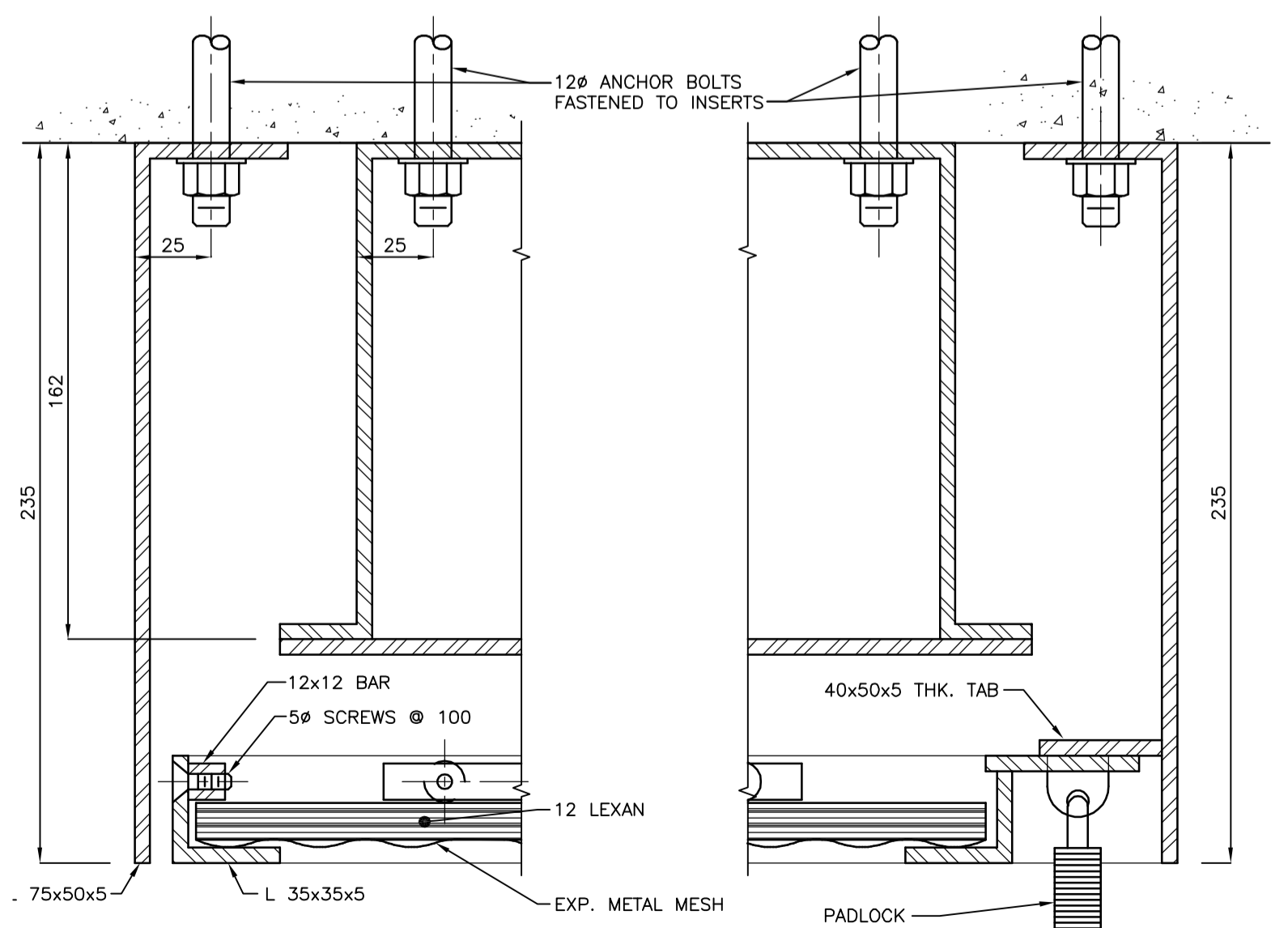
DETAIL
1:10



SECTION
1:25

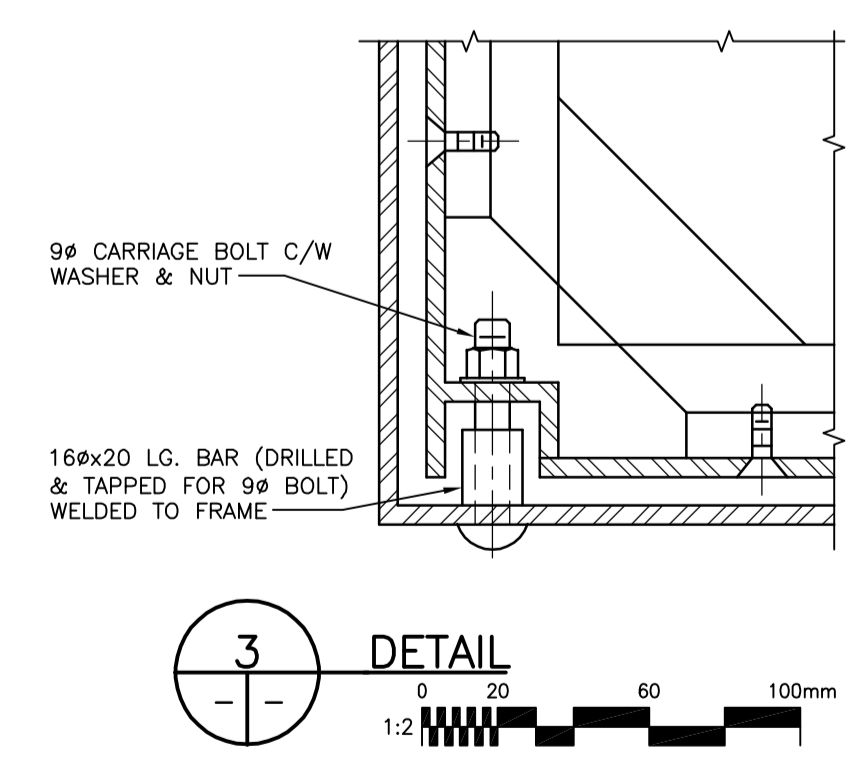


DETAIL
1:10



SECTION
1:2

SECTION
1:2



DETAIL
1:2

LOCATION APPROVED UNDERGROUND STRUCTURES

SUPV. U/G STRUCTURES COMMITTEE DATE

NOTE:
LOCATION OF UNDERGROUND STRUCTURES AS SHOWN ARE BASED ON THE BEST INFORMATION AVAILABLE BUT NO GUARANTEE IS GIVEN THAT ALL EXISTING UTILITIES ARE SHOWN OR THAT THE GIVEN LOCATIONS ARE EXACT. CONFIRMATION OF EXISTENCE AND EXACT LOCATION OF ALL SERVICES MUST BE OBTAINED FROM THE INDIVIDUAL UTILITIES BEFORE PROCEEDING WITH CONSTRUCTION.

B.M. ELEV.	DATE	BY

Stantec Consulting Ltd.
905 Waverley Street, Winnipeg, Manitoba
Tel 204-489-5900 Fax 204-453-9012

DESIGNED BY: DWD	CHECKED BY: GWM
DRAWN BY: JMB	APPROVED BY: DWD
HOR. SCALE: AS SHOWN	AUTHORIZED BY: DATE
VERTICAL: AS SHOWN	R. FINGAS 05.10.26
ISSUED FOR TENDER 05.10.26 DWD	R. FINGAS, P. ENG. BRIDGE PROJECTS ENGINEER
NO. REVISIONS	DATE BY

ENGINEER'S SEAL

ORIGINAL SEALED BY D.W. DOWHAN P. ENG. 05.10.26

CONSULTANT DRAWING NO. I13703042-E02

THE CITY OF WINNIPEG
PUBLIC WORKS DEPARTMENT
Winnipeg ENGINEERING DIVISION

KENASTON UNDERPASS
KENASTON BLVD. / CN RIVERS SUB. MILE 5.18
RAILWAY BRIDGE CONSTRUCTION

ELECTRICAL
DECK & PIER MOUNTED LIGHTING DETAILS

SHEET 21 OF 21
CAD FILE DRAWING NUMBER KU-21-664.dwg
CITY DRAWING NUMBER P-3258-145