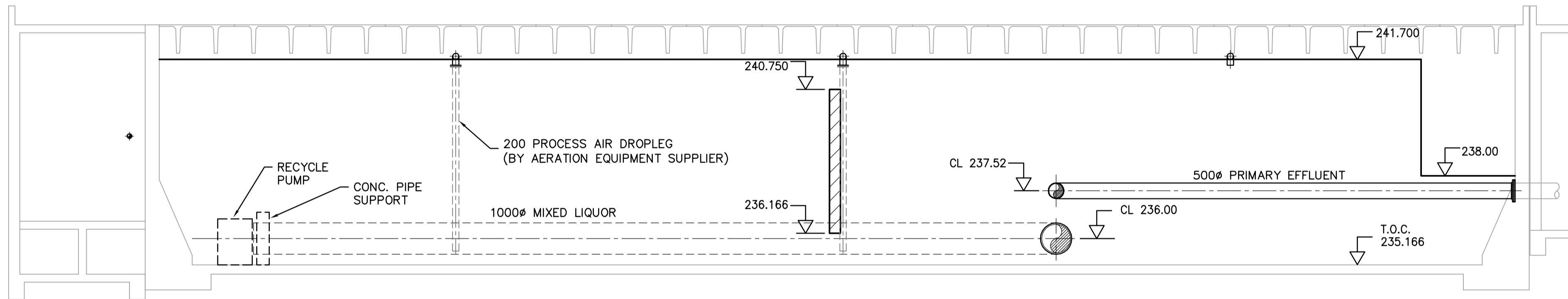
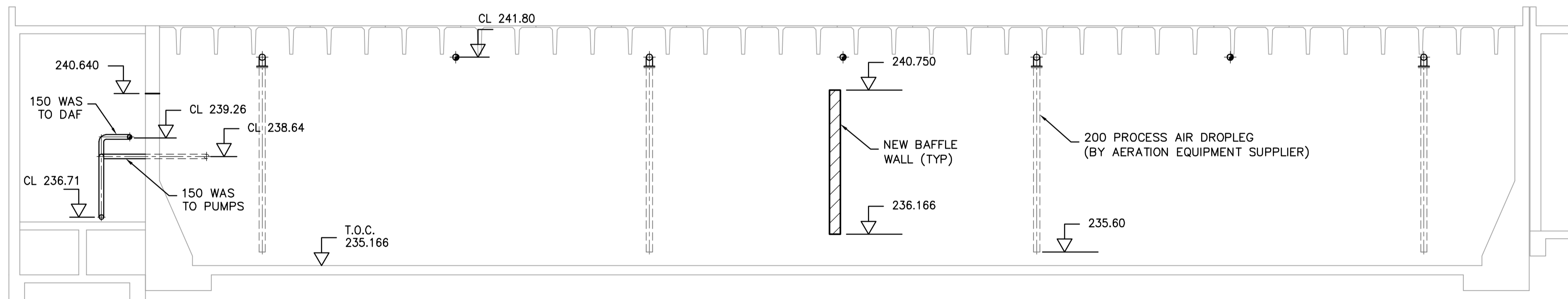


**A SECTION A**  
DRG-1 1:100



**B SECTION B**  
DRG-1 1:100



**C SECTION C**  
DRG-1 1:100

B.M. ELEV.		 A Tyco International Ltd. Company		ENGINEER'S SEAL		 <b>THE CITY OF WINNIPEG</b> WATER AND WASTE DEPARTMENT ENGINEERING DIVISION			
				DESIGNED BY: CGL CHECKED BY: DRAWN BY: JBC APPROVED BY: HOR. SCALE: AS NOTED VERTICAL SCALE: A FOR INFORMATION ONLY 05/10/14 JBC				PRELIMINARY NOT FOR CONSTRUCTION	
NO. REVISIONS		DATE BY		RELEASED FOR CONSTRUCTION BY:		CONSULTANT DRAWING NO. DRG-2		CITY FILE NUMBER	
		DATE 2005/10/13		DATE		PROCESS BIOREACTORS 1 AND 2 TYPICAL SECTIONS		SHEET OF	
								CITY DRAWING NUMBER	