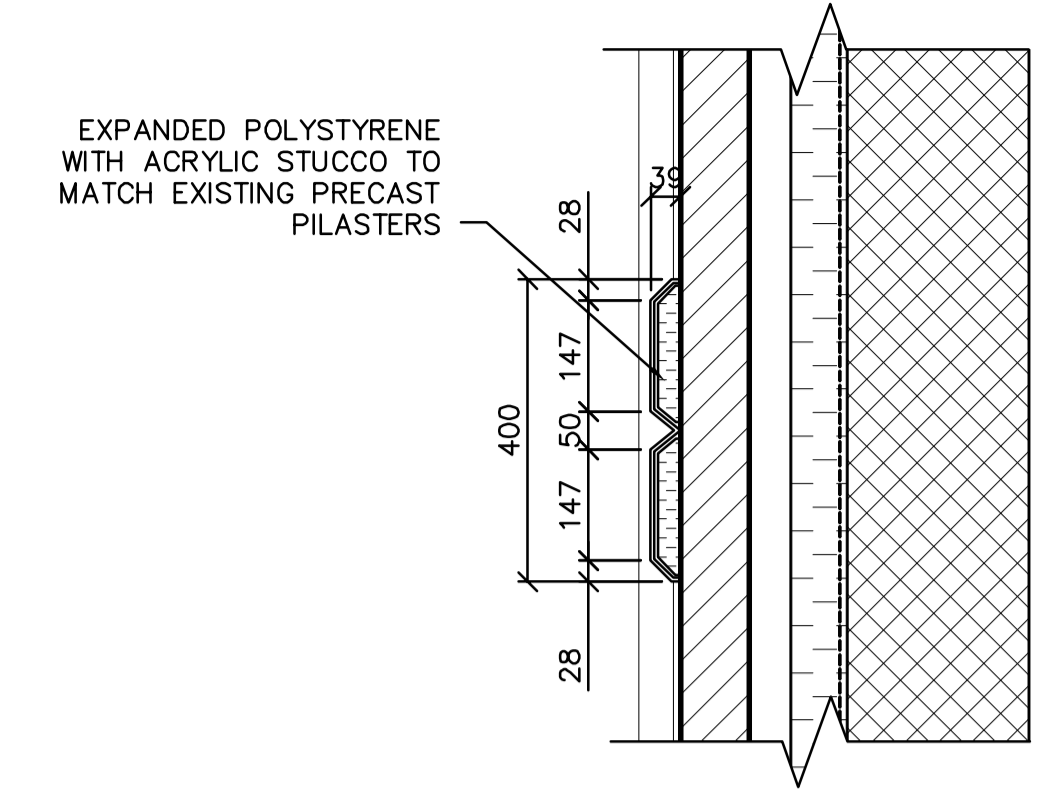
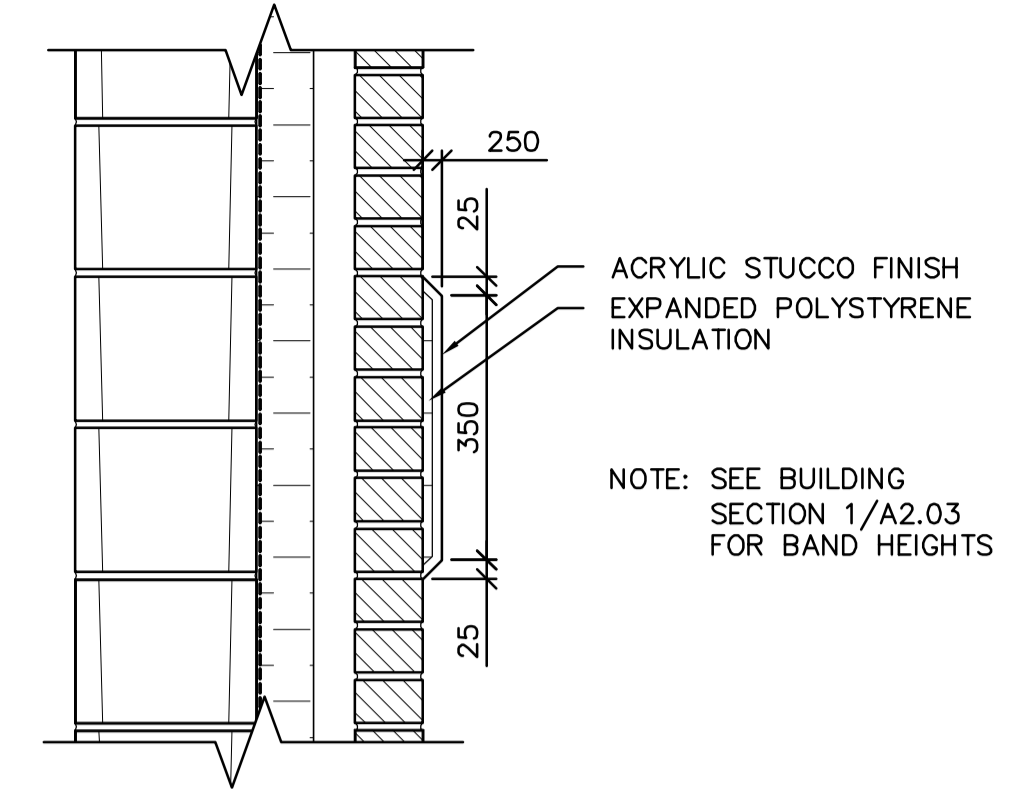


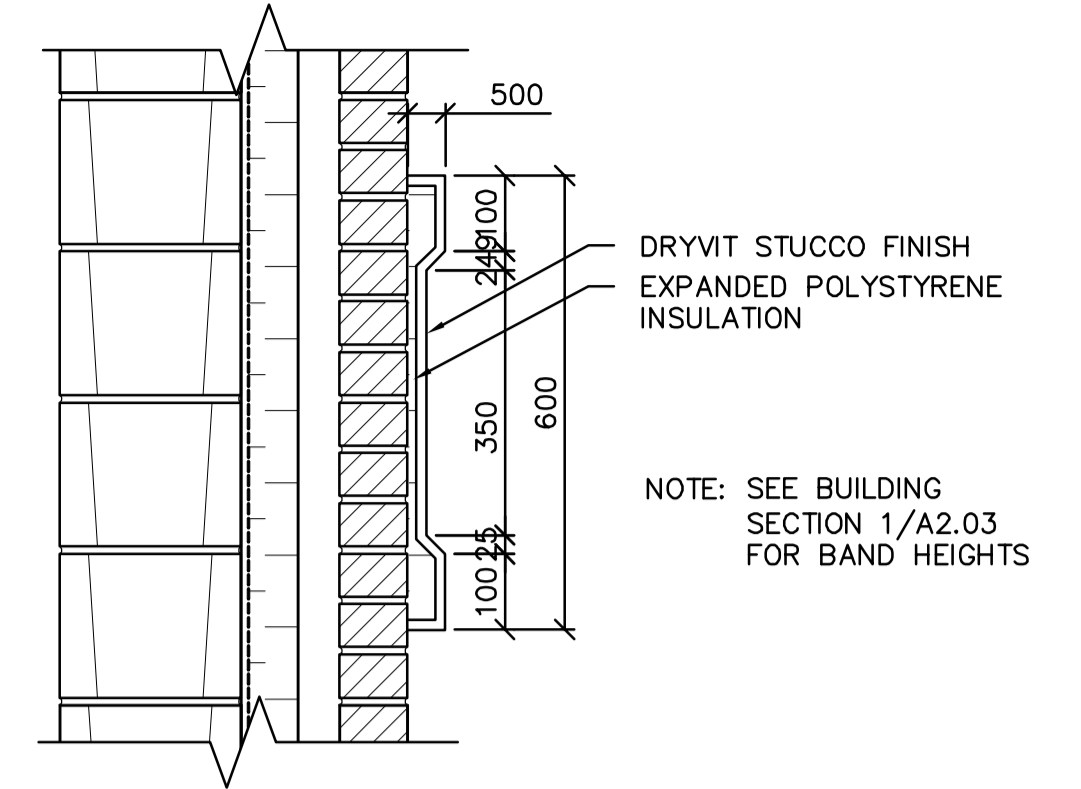
1 TYPICAL WALL SECTION
SCALE 1:10



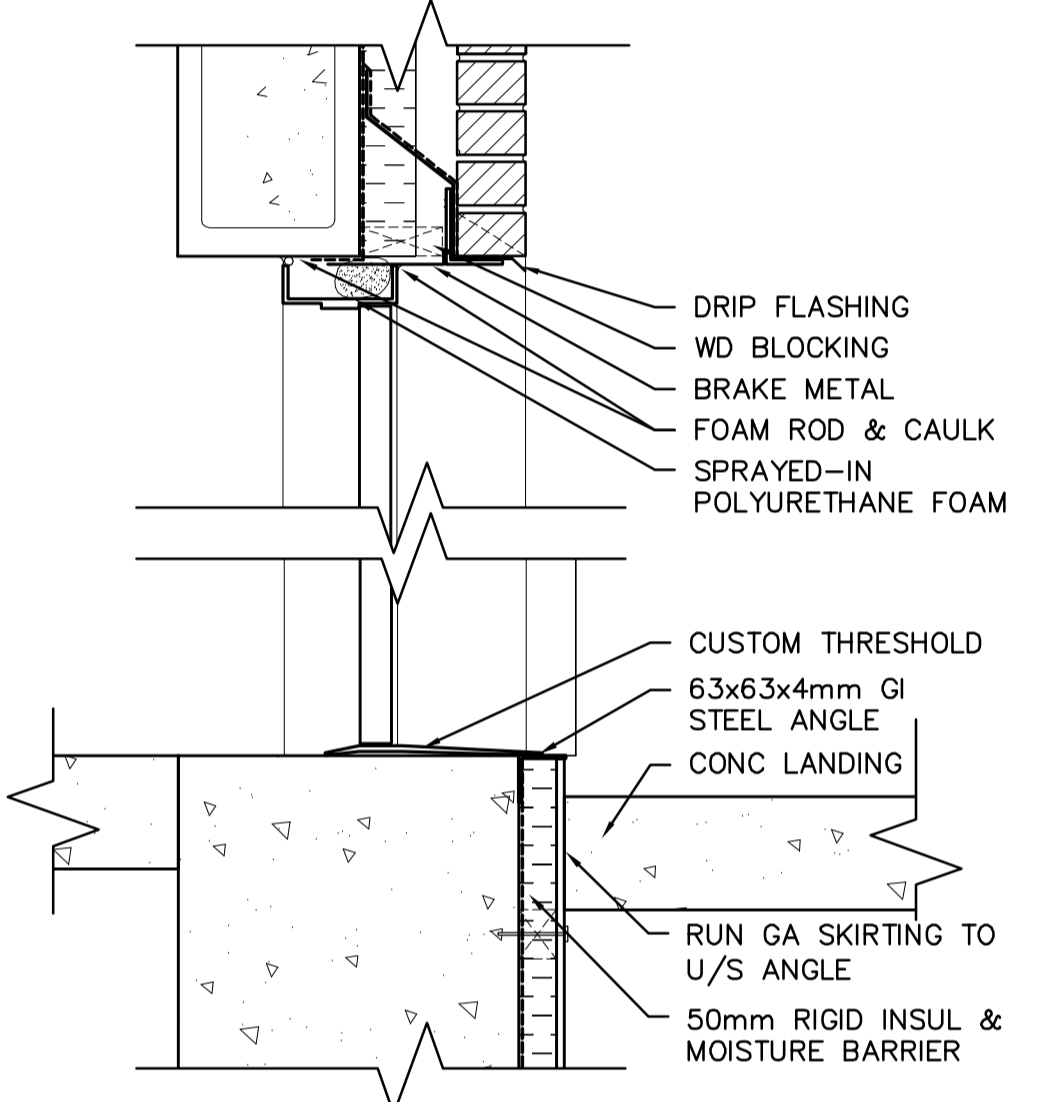
2 STUCCO PILASTER PLAN DETAIL
SCALE 1:10



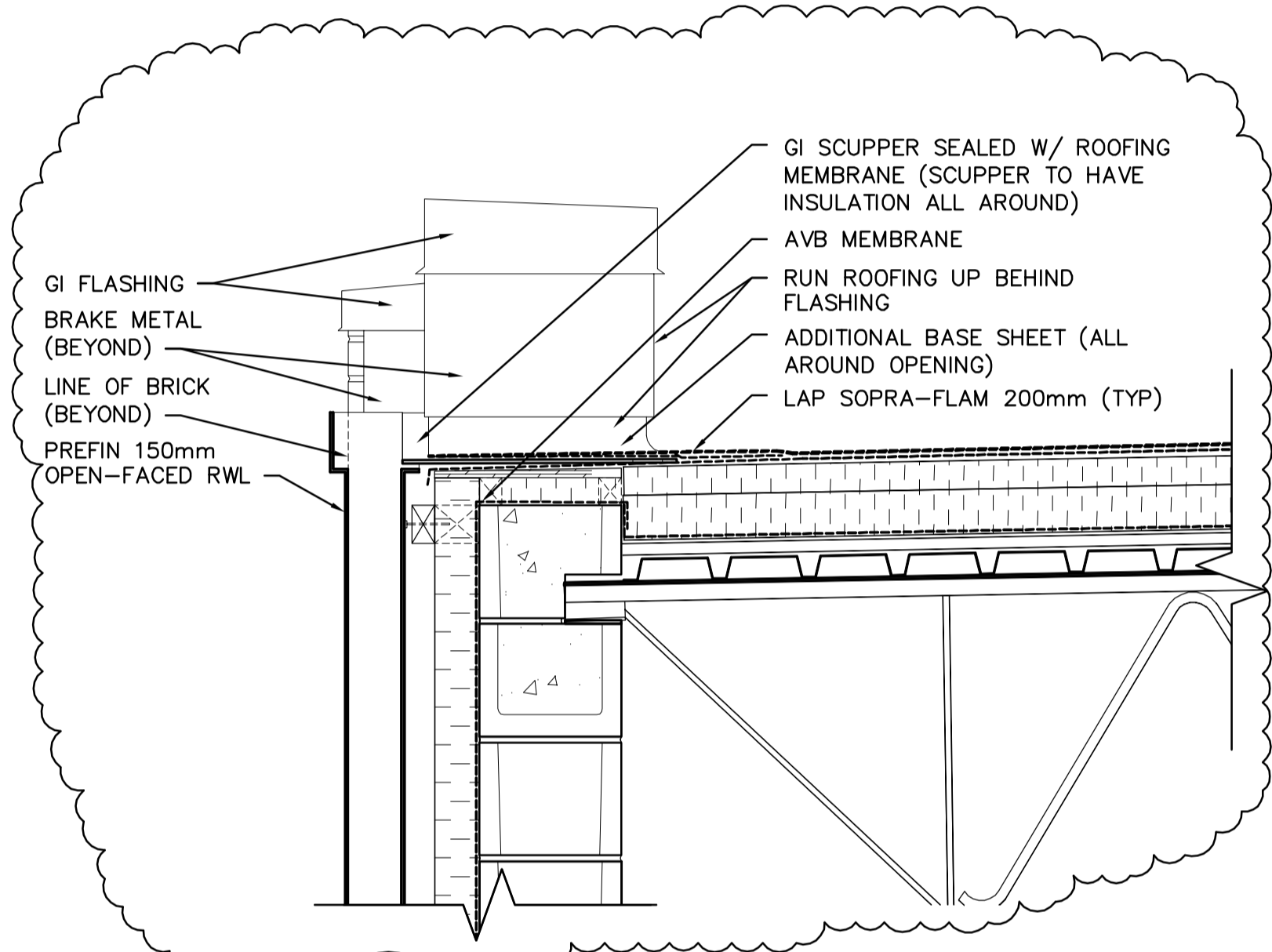
3 STUCCO BAND SECTION DETAIL
SCALE 1:10



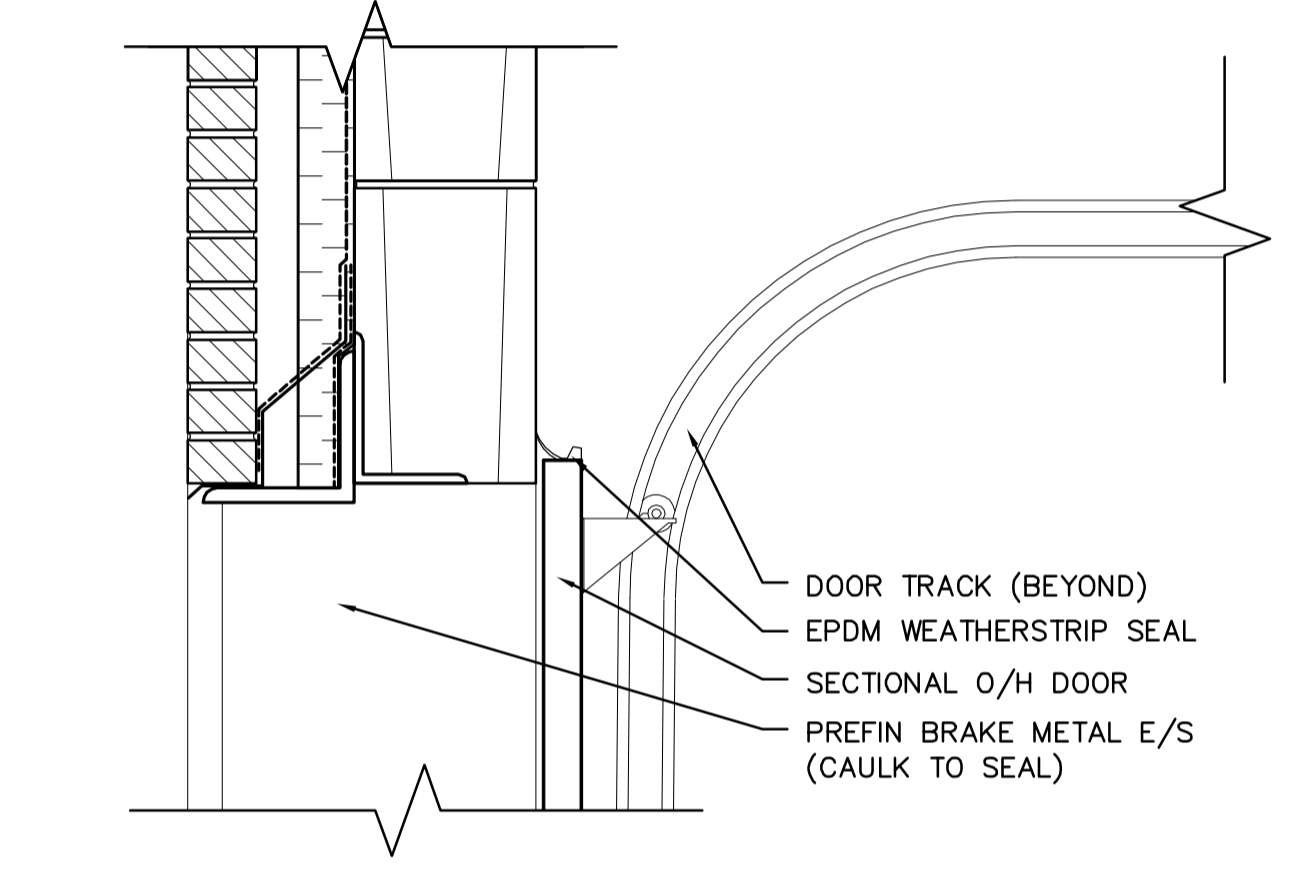
4 STUCCO BAND SECTION DETAIL
SCALE 1:10



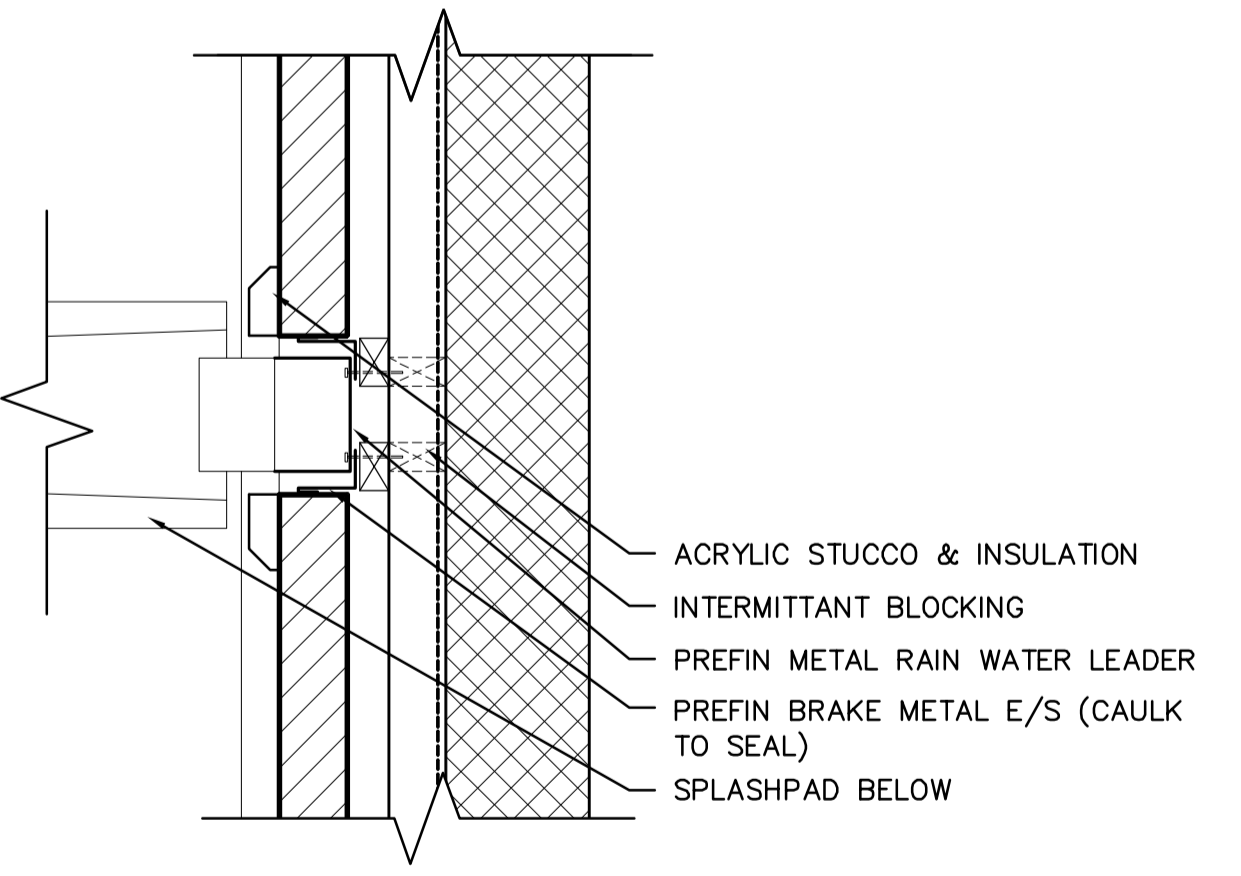
5 DOOR HEAD/SILL SECTION DETAIL
SCALE 1:10



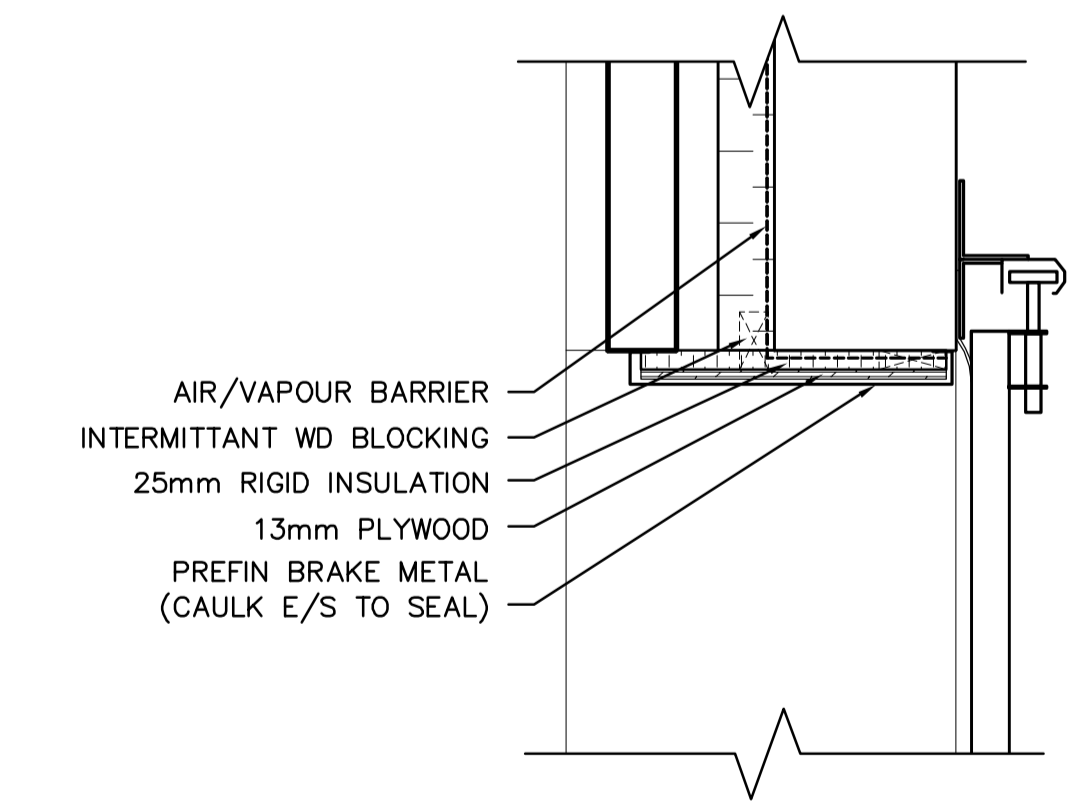
6 SCUPPER SECTION DETAIL
SCALE 1:10



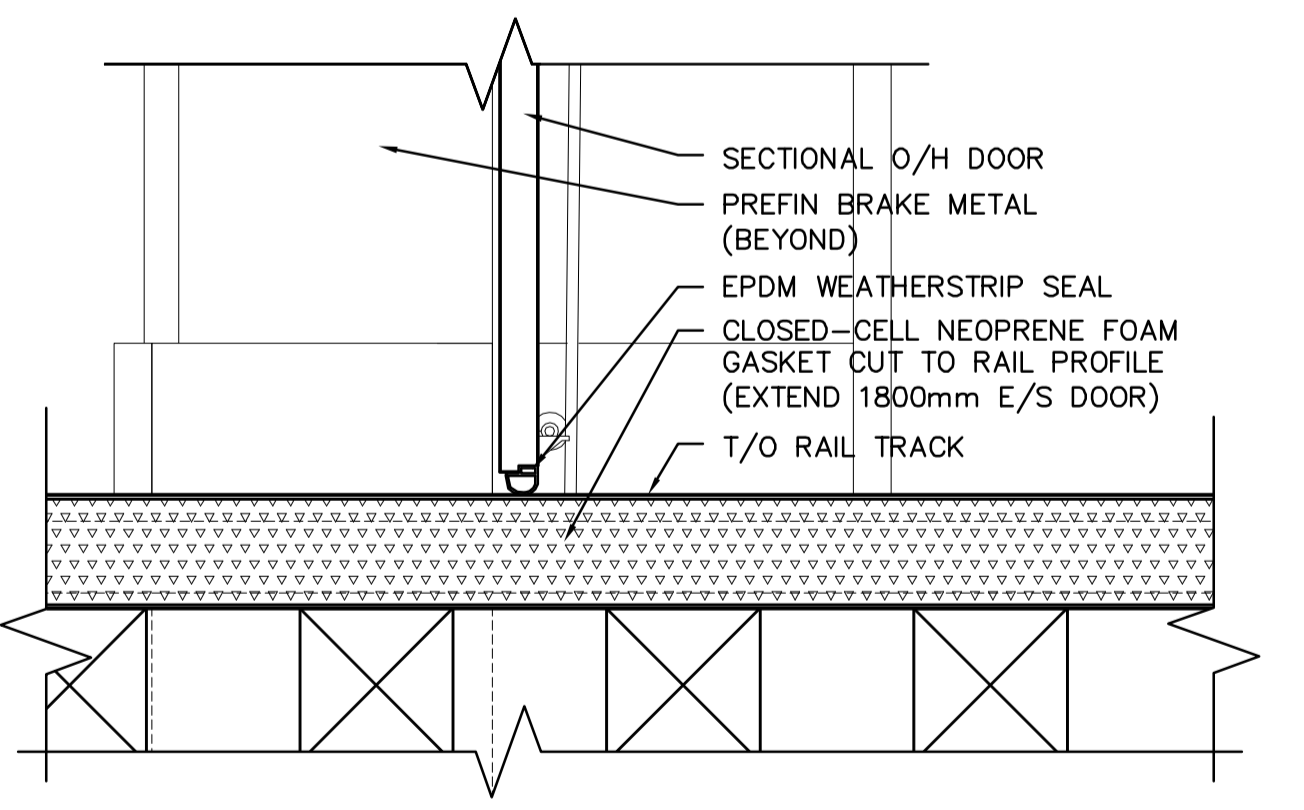
8 O/H DOOR HEAD DETAIL
SCALE 1:10



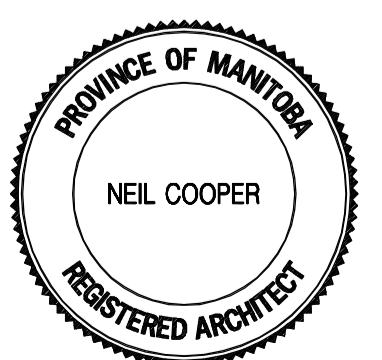
7 RAIN WATER LEADER PLAN DETAIL
SCALE 1:10



9 O/H DOOR JAMB DETAIL
SCALE 1:10



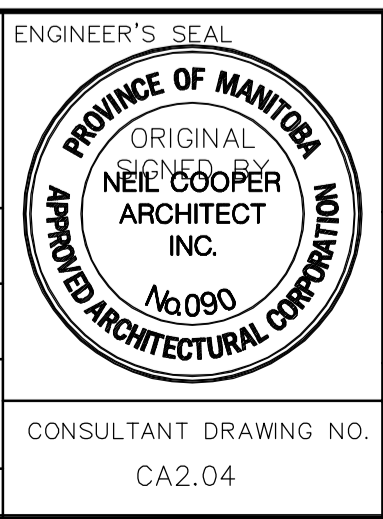
8 O/H DOOR THRESHOLD DETAIL
SCALE 1:10



NO.	REVISIONS	DATE	BY	DATE	BY
01	611-2005 ADDENDUM 1	06/01/13	LK		
00	ISSUED FOR TENDER	05/12/2	LK		

EarthTech
A Tyco International Ltd. Company

DESIGNED BY	NC	CHECKED BY	NC
DRAWN BY	LK	APPROVED BY	D. TANIGUCHI
SCALE:	AS SHOWN	RELEASED FOR CONSTRUCTION BY:	K. MARTENS
DATE	2005/10/05	DATE	05/12/02



THE CITY OF WINNIPEG
WATER AND WASTE DEPARTMENT
ENGINEERING DIVISION

NEWPCC CENTRATE NUTRIENT TREATMENT
PHOSPHORUS REMOVAL FACILITY
CONTRACT No. 1

ARCHITECTURAL
RAILCAR BUILDING
DETAILS

CITY FILE NUMBER
SHEET 4 OF 4
CITY DRAWING NUMBER
1-010F-A-B0004-001-01-D