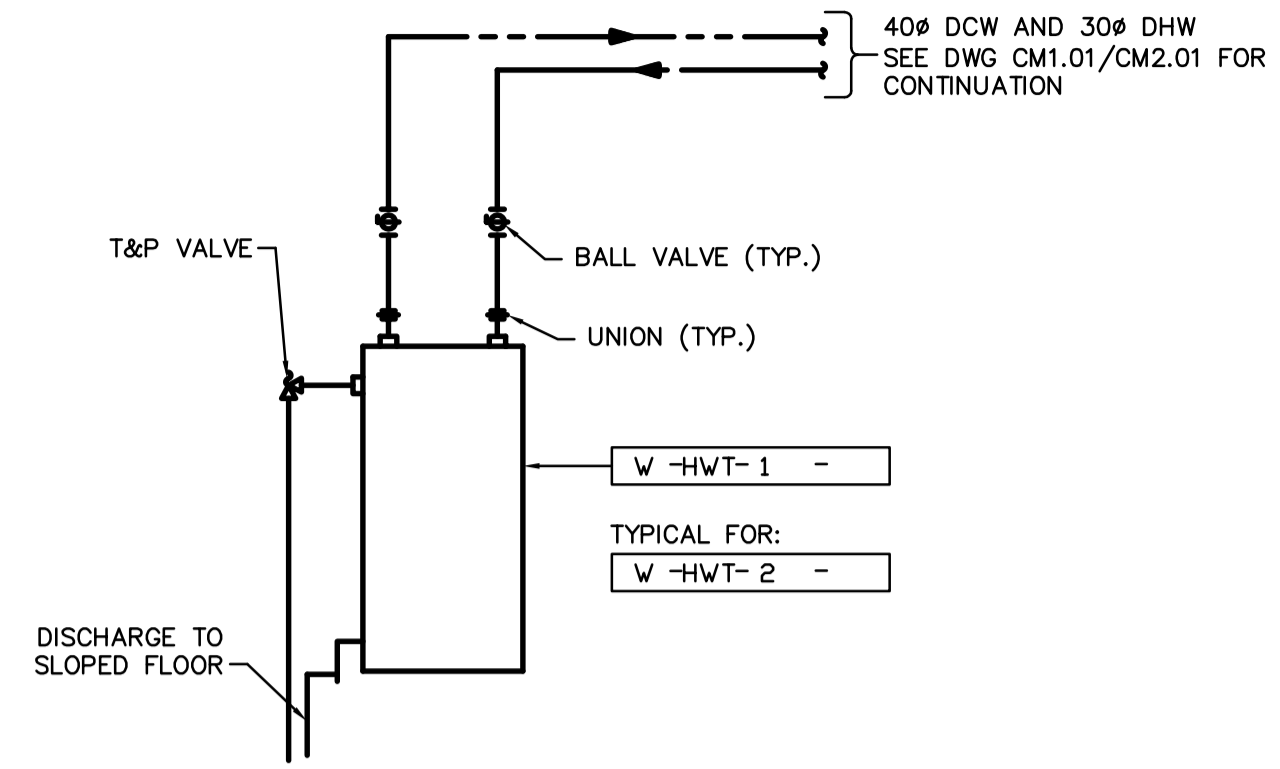
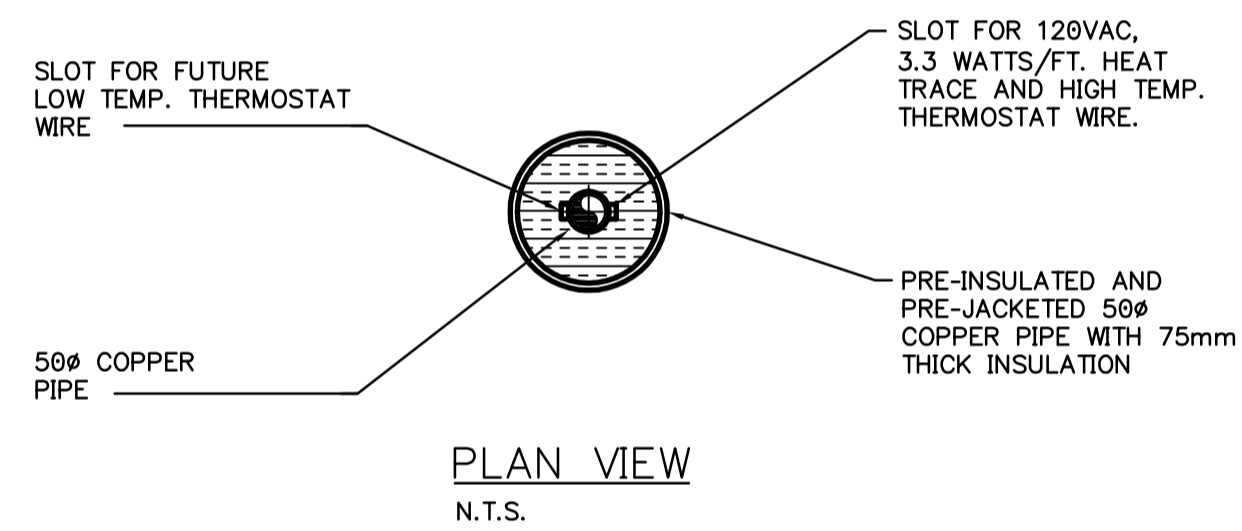


1 EMERGENCY EYE-WASH/SHOWER STATION DETAIL
CM1.01 SCALE N.T.S.

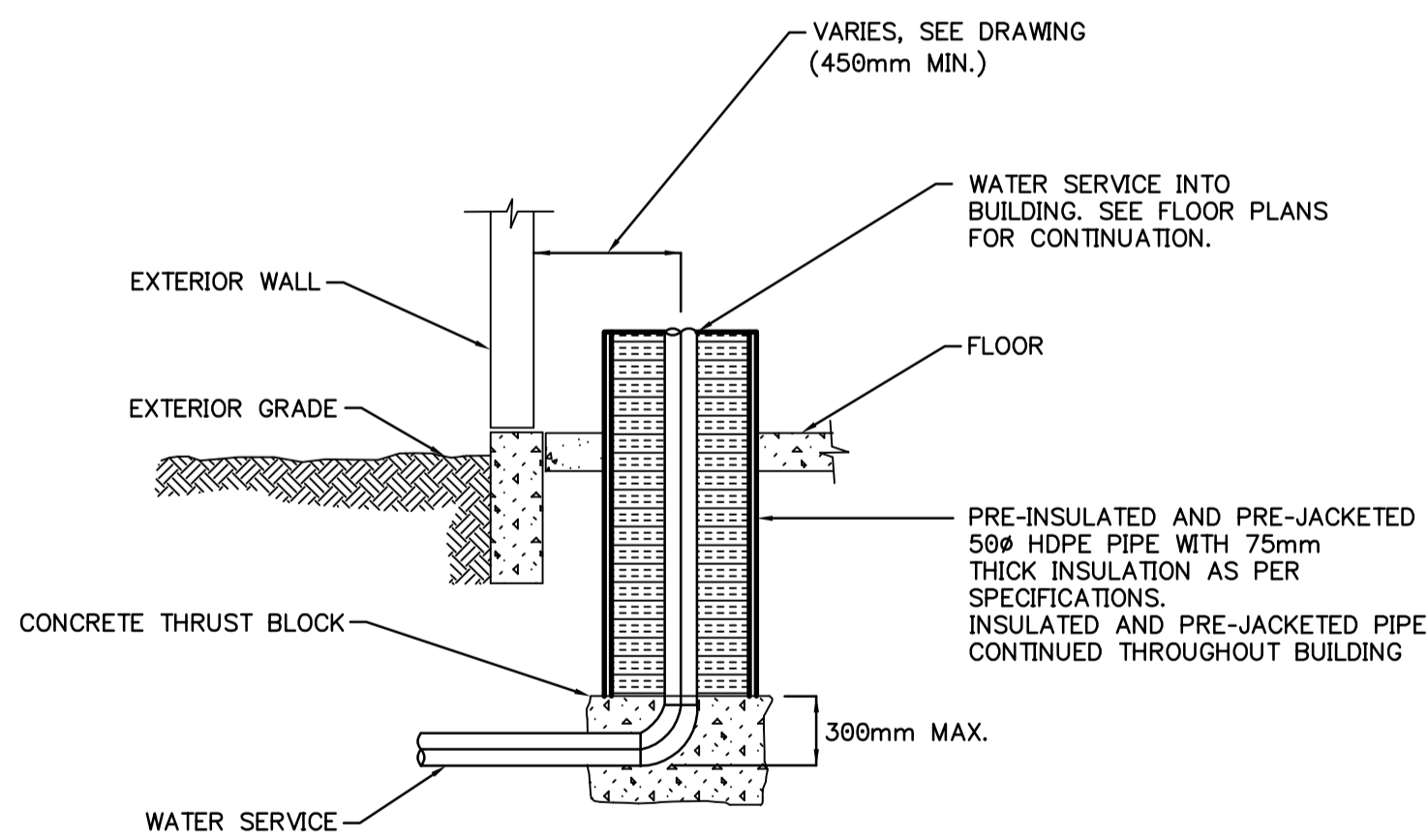


NOTE:
1) SEE MECHANICAL DRAWINGS FOR INSTALLATION REQUIREMENTS

2 HOT WATER HEATER PIPING DETAIL
SCALE N.T.S.



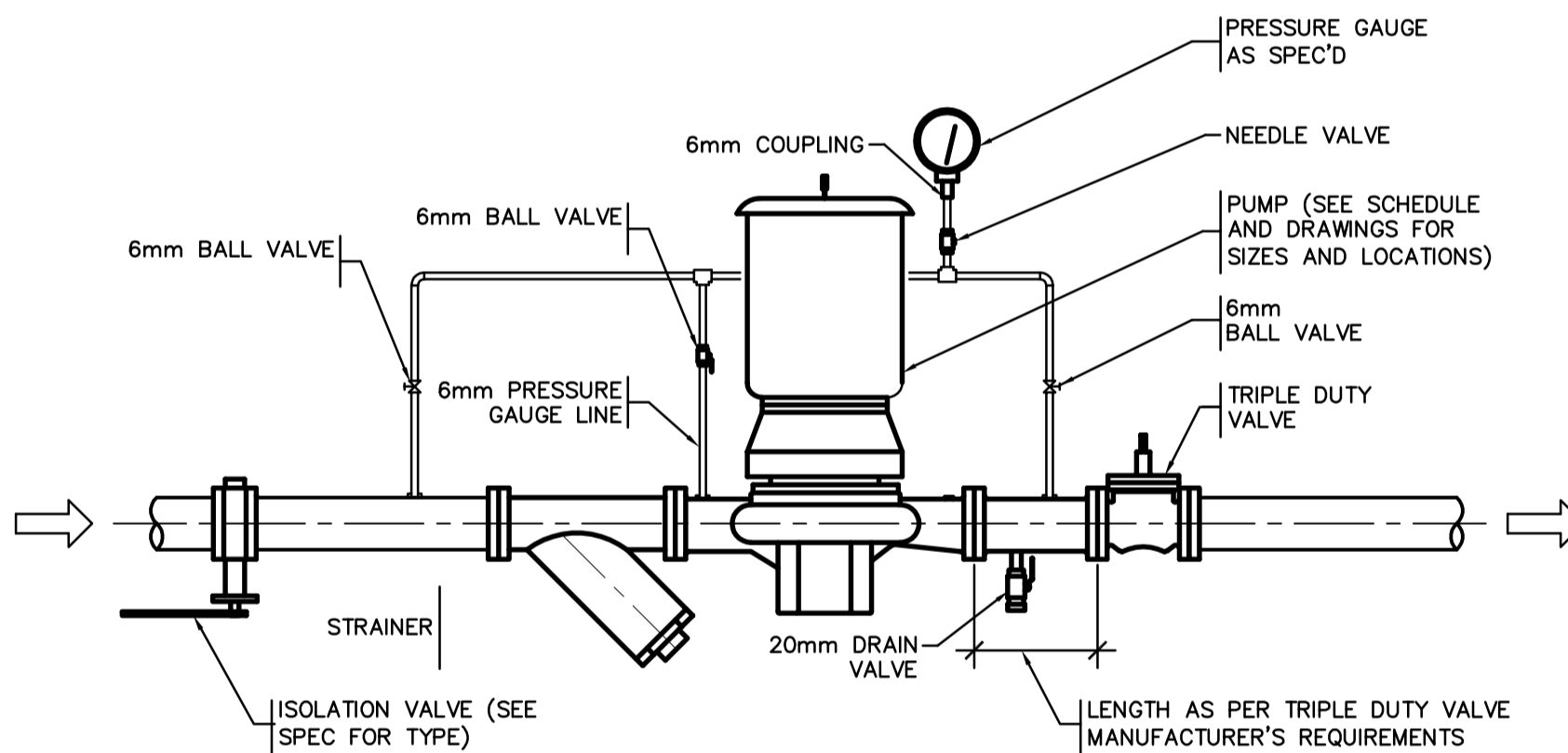
PLAN VIEW
N.T.S.



ELEVATION VIEW
N.T.S.

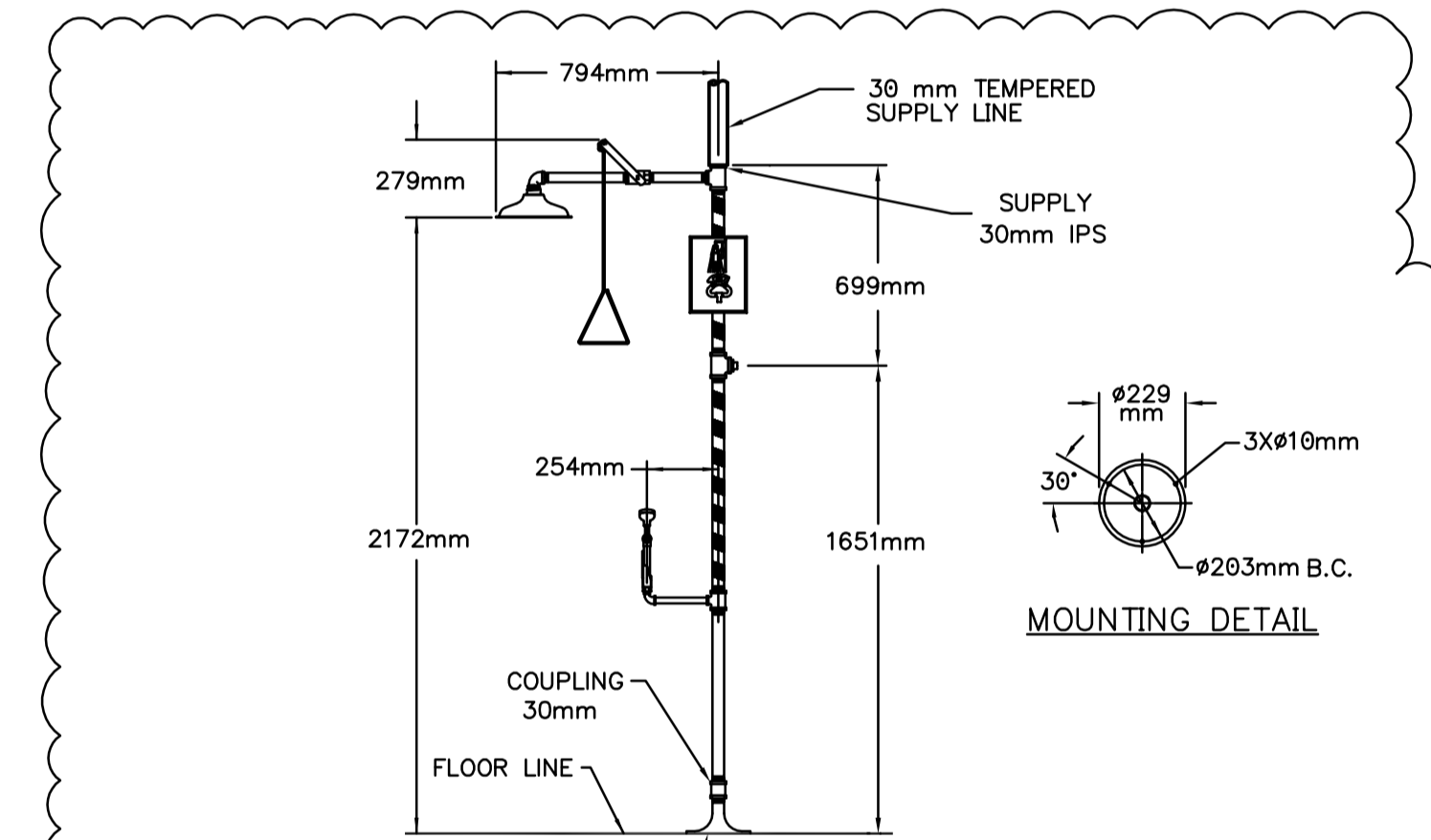
NOTE:
INSTALLATION OF PRE-INSULATED PIPING IN ACCORDANCE WITH MANUFACTURER'S RECOMMENDATIONS.

3 WATER SERVICE ENTRY DETAIL
SCALE N.T.S.



NOTE: PUMP TO BE SUSPENDED USING SPRING ISOLATION DAMPERS

4 VERTICAL INLINE PUMP DETAIL
CM2.01 SCALE N.T.S.



BASE PLATE ANCHORED TO FLOOR WITH EXPANSION BOLTS, RUN BEAD OF SILICON AROUND BASE

NOTE: DIMENSIONS MAY VARY ±12.7mm

5 EMERGENCY EYE-WASH/SHOWER STATION DETAIL
CM2.01 SCALE N.T.S.



NO.	REVISIONS	DATE	BY	DATE
01	611-2005 ADDENDUM 1	06/01/06	DC	
00	ISSUED FOR TENDER	05/12/02	DC	



DESIGNED BY	DC	CHECKED BY	AA
DRAWN BY	DC	APPROVED BY	D. TANIGUCHI
SCALE:	AS NOTED	RELEASED FOR CONSTRUCTION BY:	K. MARTENS
DATE	2005/09/21	DATE	05/12/02

ENGINEER'S SEAL	
ORIGINAL SIGNED BY	P. TATARYN
	2005/12/02
CONSULTANT DRAWING NO.	CM5.01

THE CITY OF WINNIPEG WATER AND WASTE DEPARTMENT ENGINEERING DIVISION	
NEWPCC CENTRATE NUTRIENT TREATMENT PHOSPHORUS REMOVAL FACILITY CONTRACT No. 1	CITY FILE NUMBER SHEET OF CITY DRAWING NUMBER 1-010F-D-M0003-001-01-D
MECHANICAL PLUMBING DETAILS	