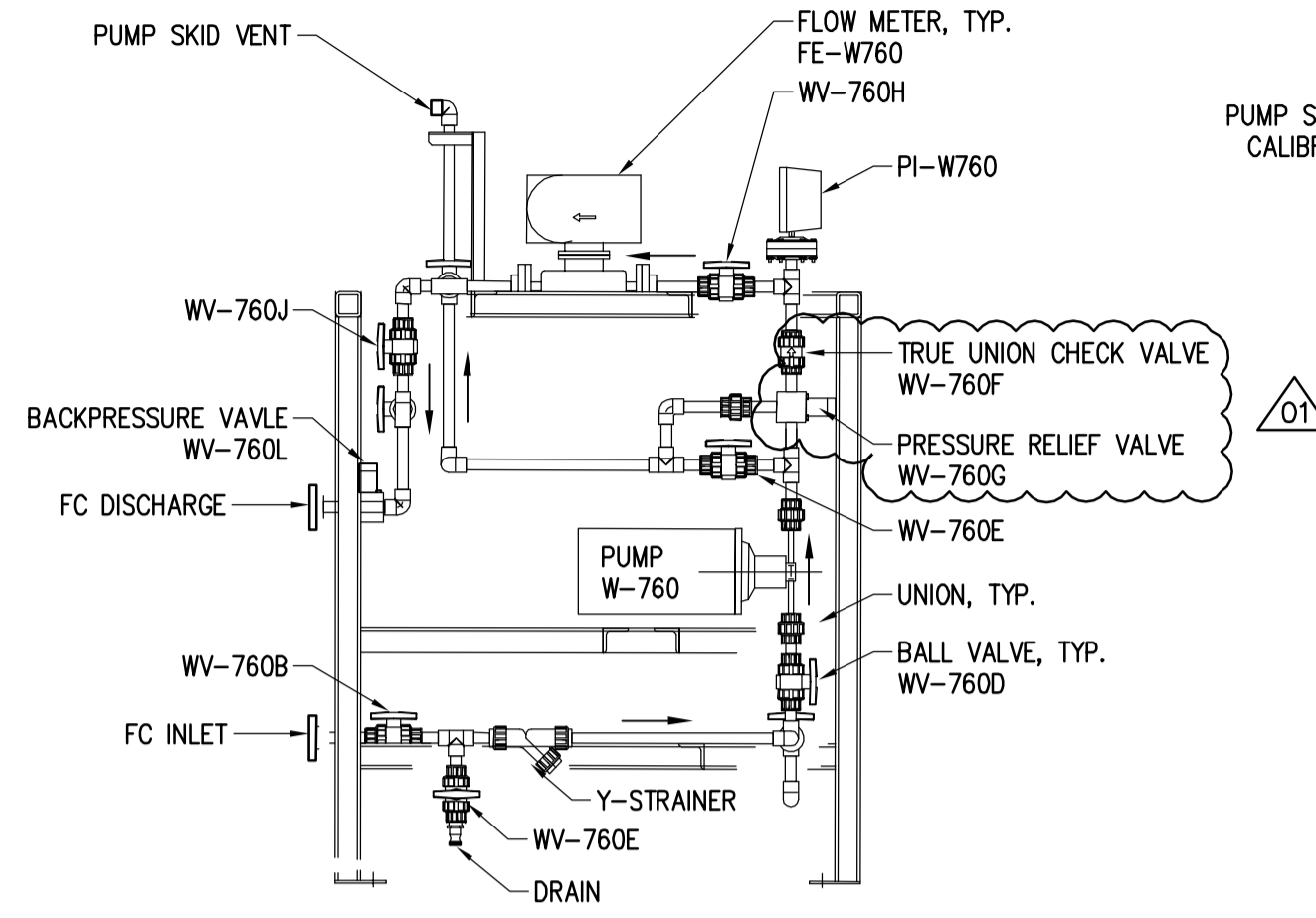
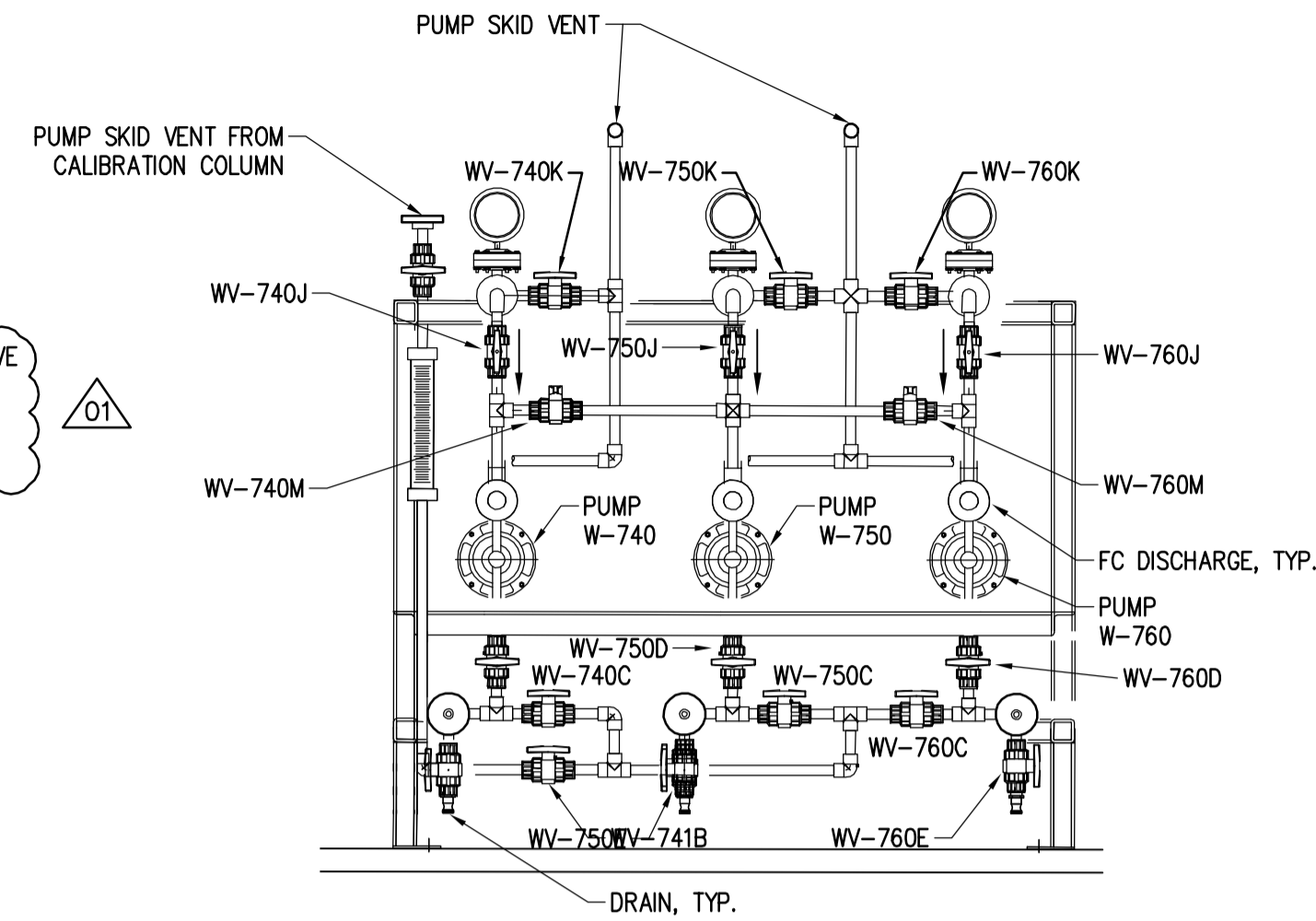


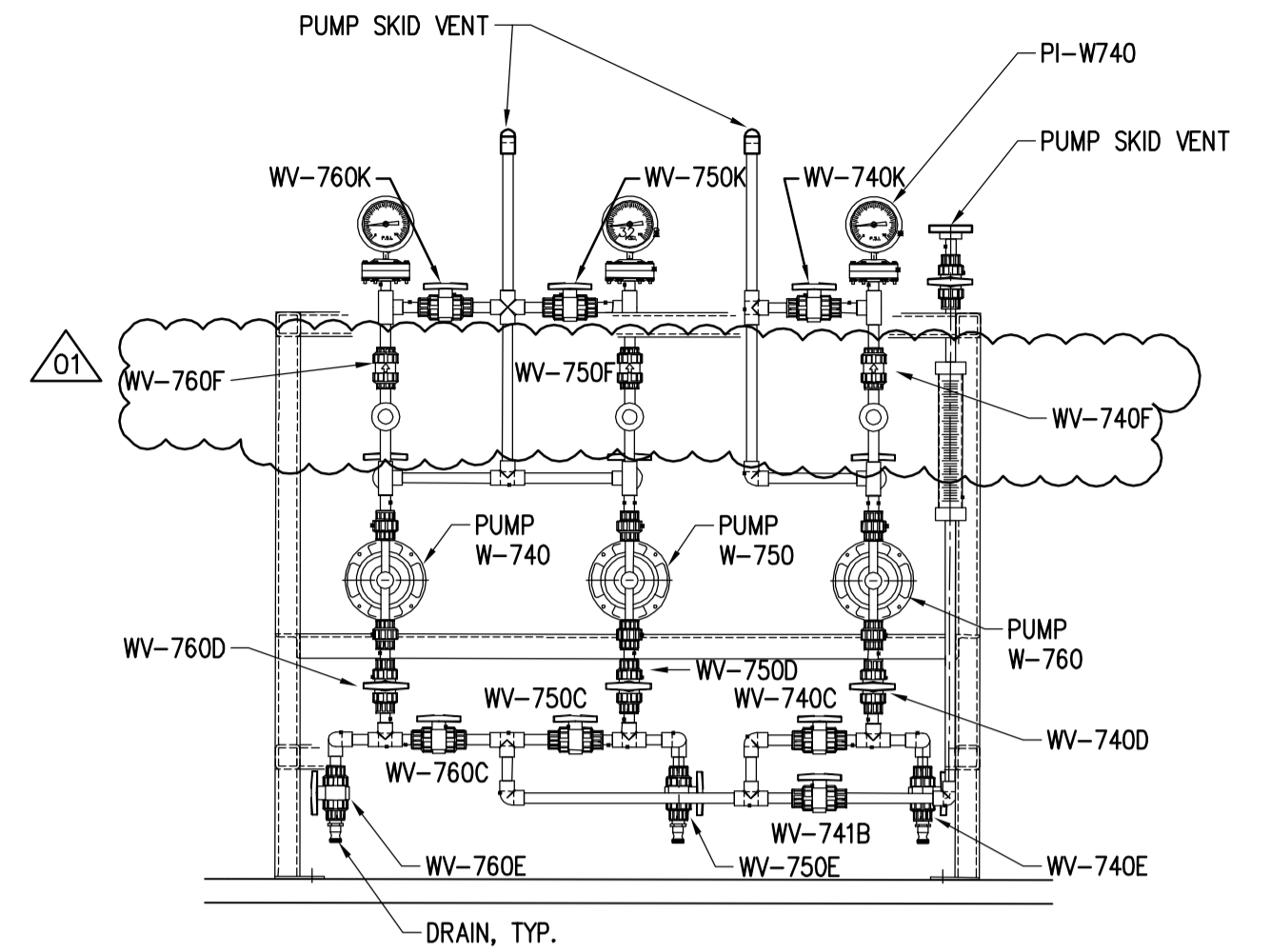
1A PUMP SKID PLAN
SCALE 1:15



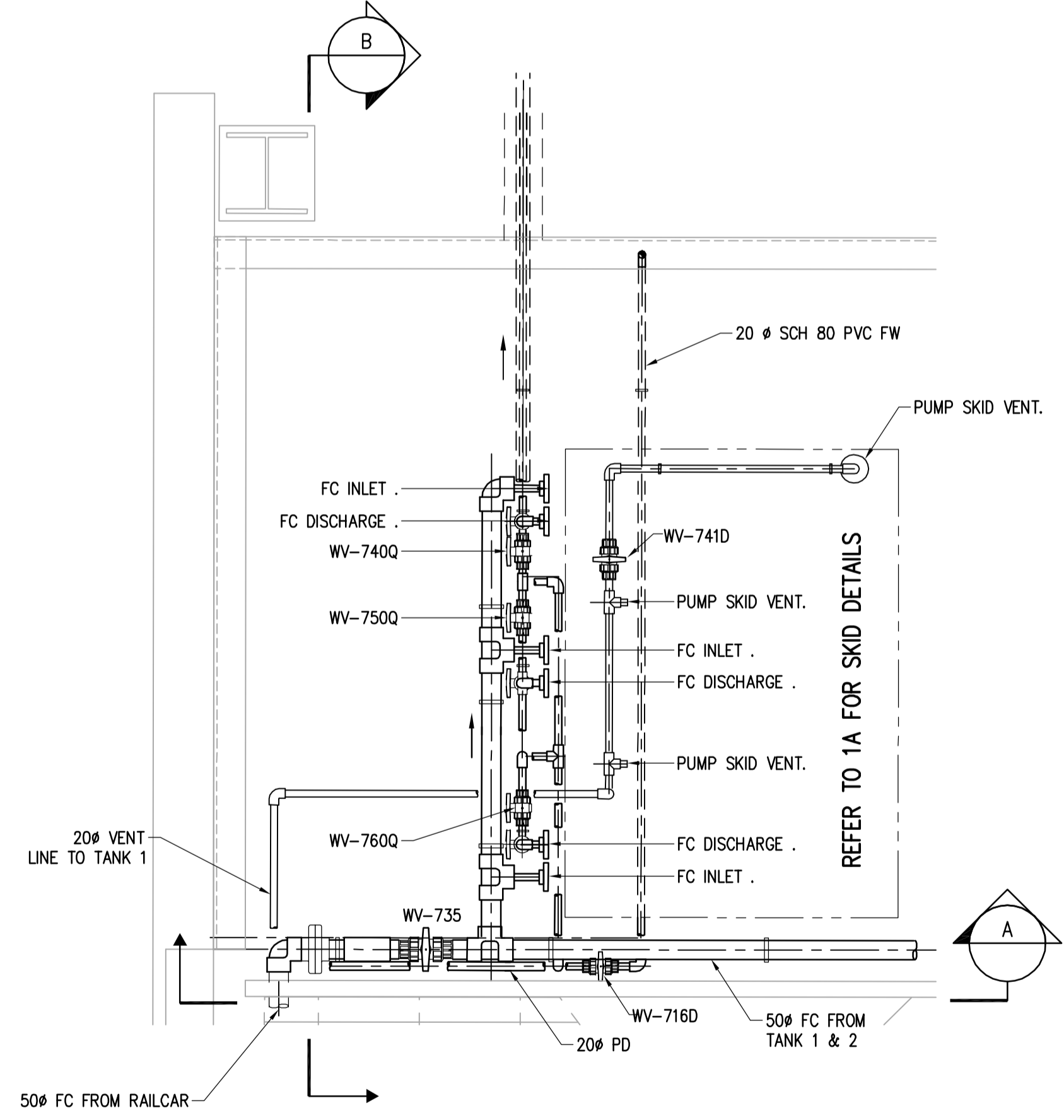
2A PUMP SKID SECTION
SCALE 1:15



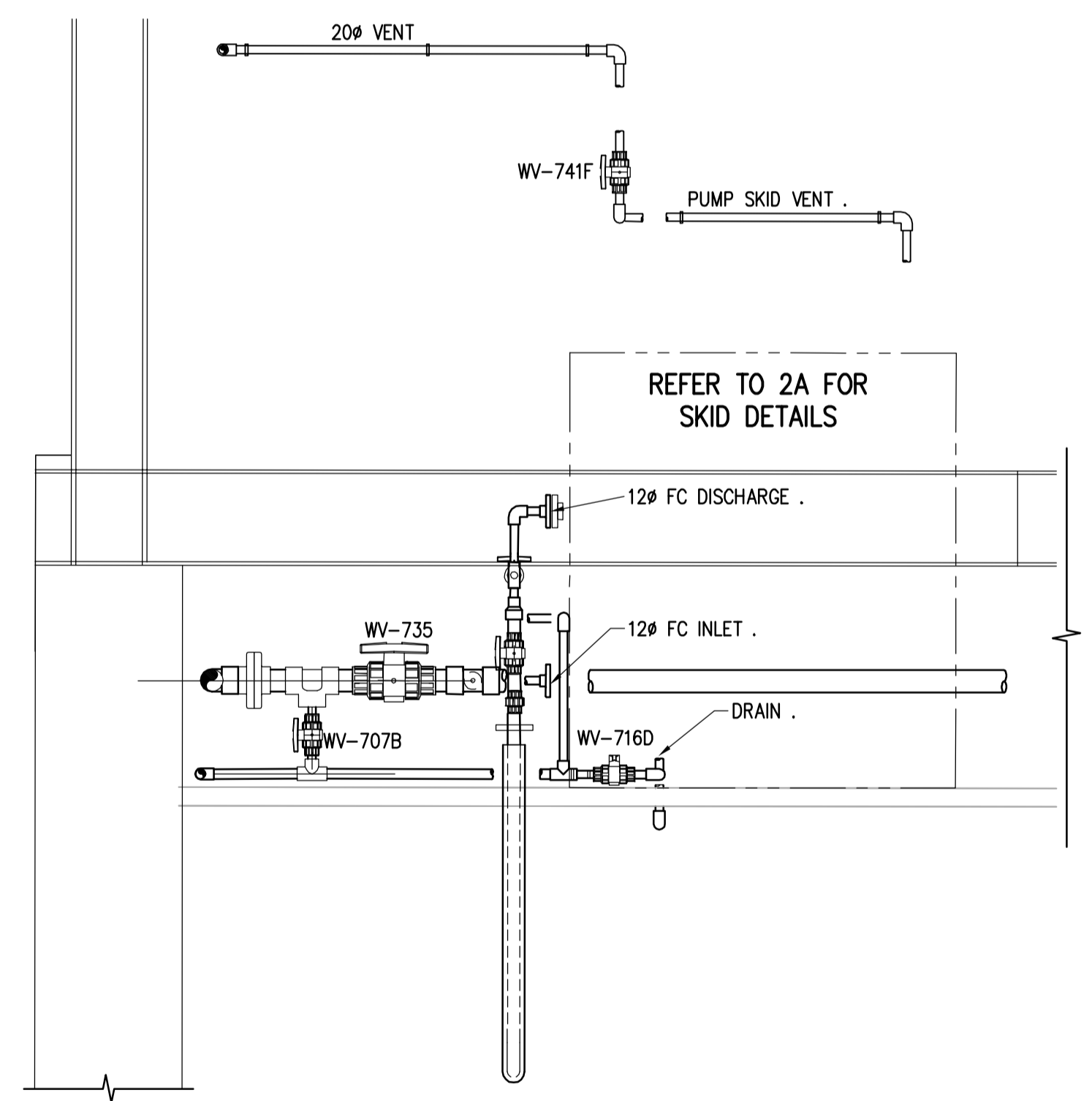
3A PUMP SKID SECTION
SCALE 1:15



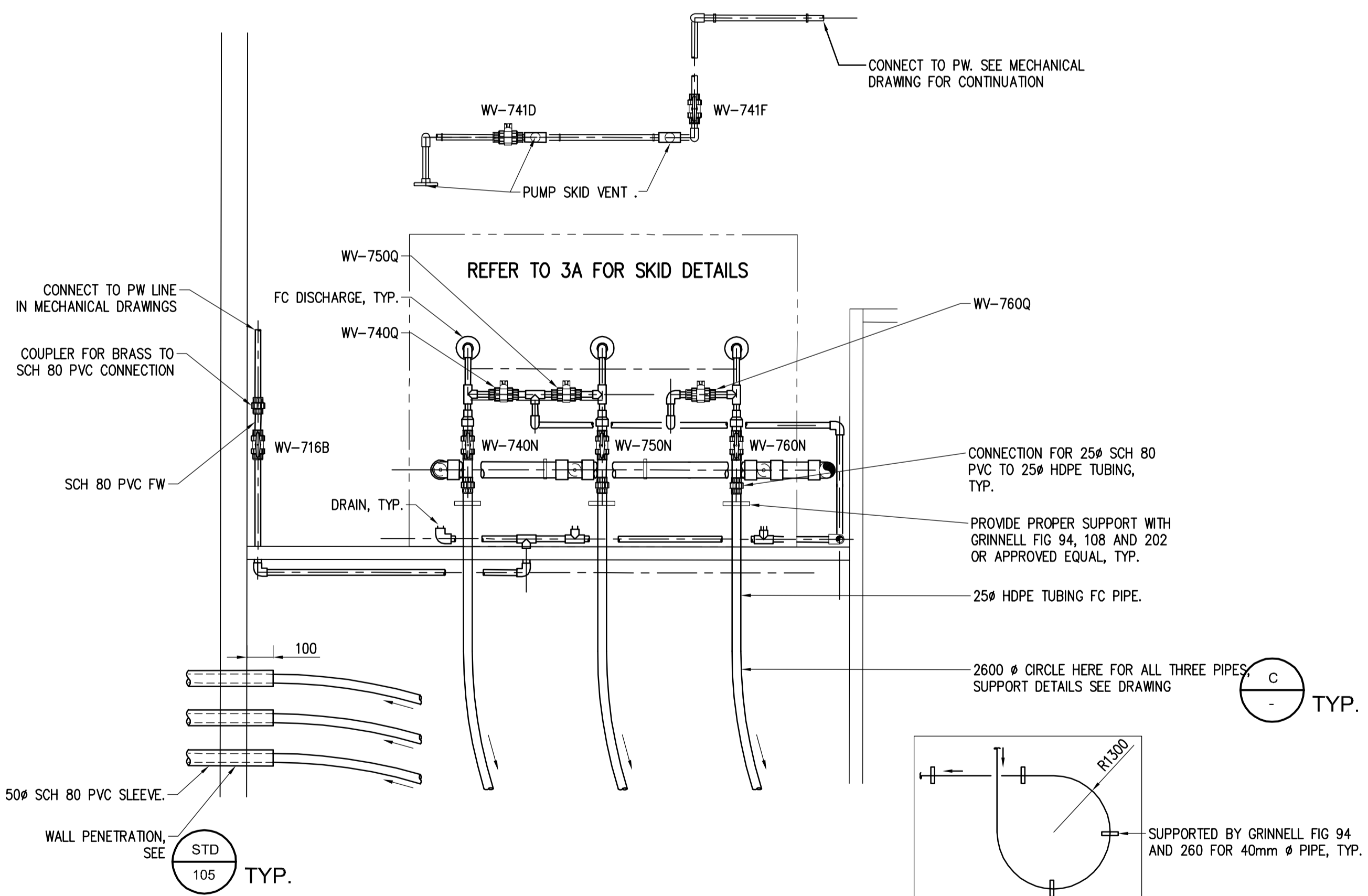
4A PUMP SKID SECTION
SCALE 1:15



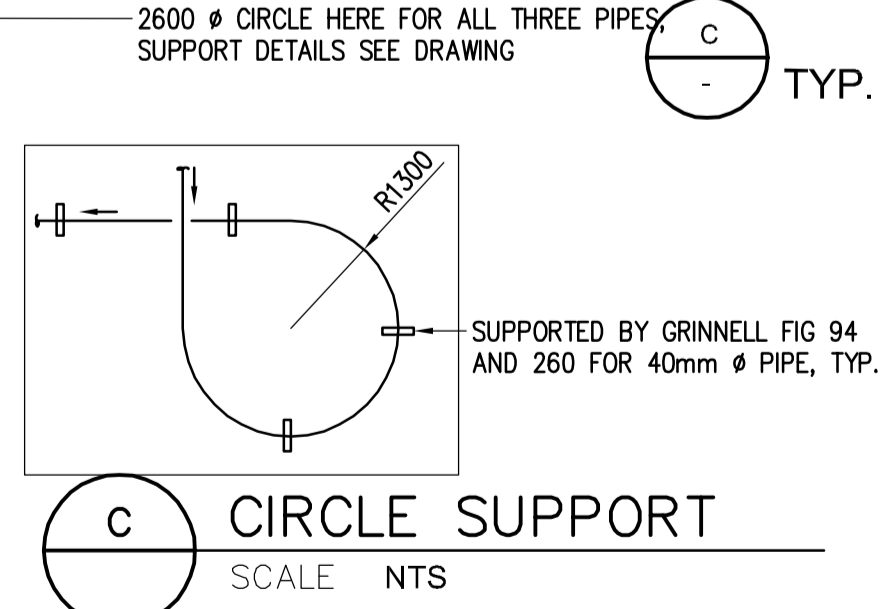
1 PUMP SKID PIPING CONNECTIONS
SCALE 1:15



A PUMP SKID SECTION
SCALE 1:15



B PUMP SKID SECTION
SCALE 1:15



C CIRCLE SUPPORT
SCALE NTS



B.M. ELEV.		 A Tyco International Ltd. Company		ENGINEER'S SEAL	
				ORIGINAL SIGNED BY J.E. HUTCHISON 2005/12/02	
DESIGNED BY	LW/SB	CHECKED BY	JEH	CONSULTANT DRAWING NO. CP5.03	
DRAWN BY	LAE	APPROVED BY	D. TANIGUCHI		
SCALE: 1:50		RELEASED FOR CONSTRUCTION BY:		CITY FILE NUMBER SHEET OF CITY DRAWING NUMBER 1-00F-D-P0003-001-01-D	
NO. REVISIONS		DATE			
01	611-2005 ADDENDUM 1	06/01/12	LAE	NEWPCC CENTRATE NUTRIENT TREATMENT PHOSPHORUS REMOVAL FACILITY CONTRACT No. 1	
00	ISSUED FOR TENDER	05/12/2	LAE	PROCESS PUMP SKID DETAILS	
		2005/07/28		K. MARTENS	
				05/12/02	

THE CITY OF WINNIPEG
 WATER AND WASTE DEPARTMENT
 ENGINEERING DIVISION
 NEWPCC CENTRATE NUTRIENT TREATMENT PHOSPHORUS REMOVAL FACILITY
 CONTRACT No. 1
 PROCESS PUMP SKID DETAILS