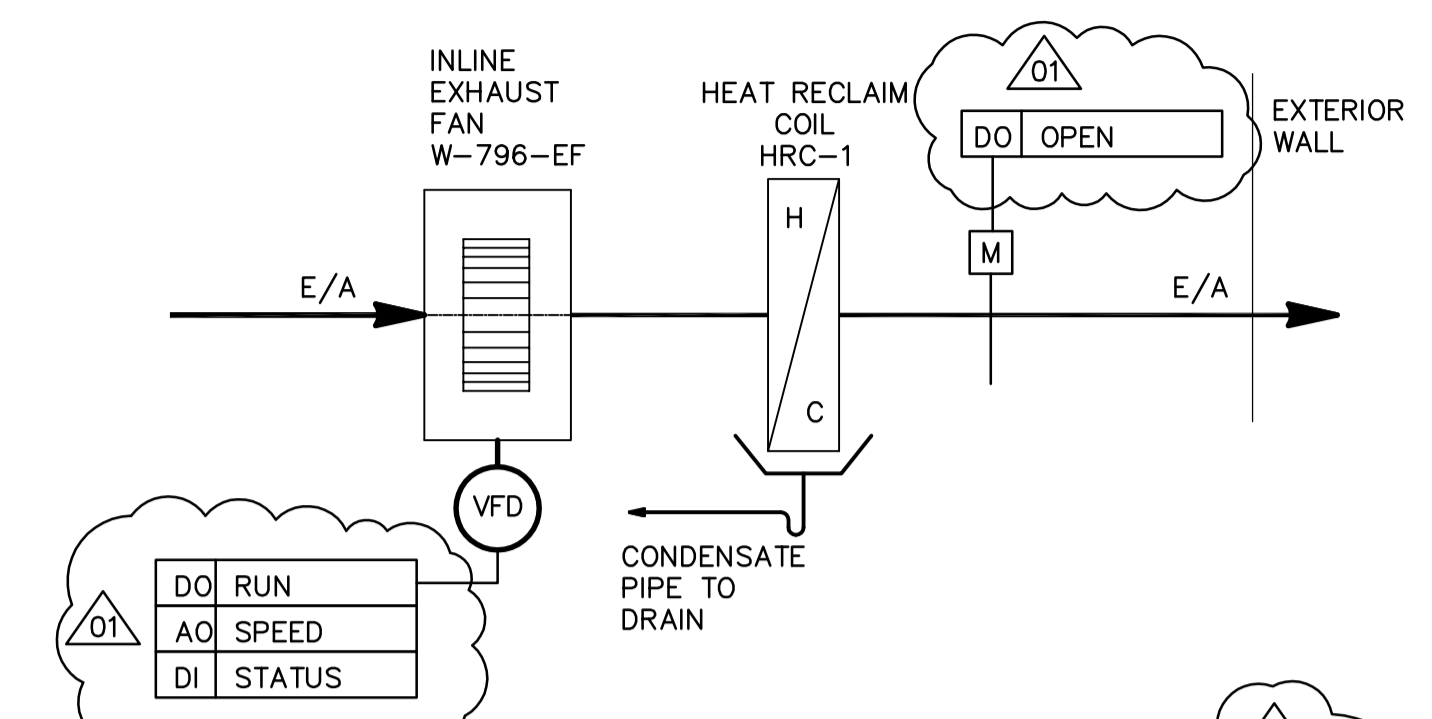
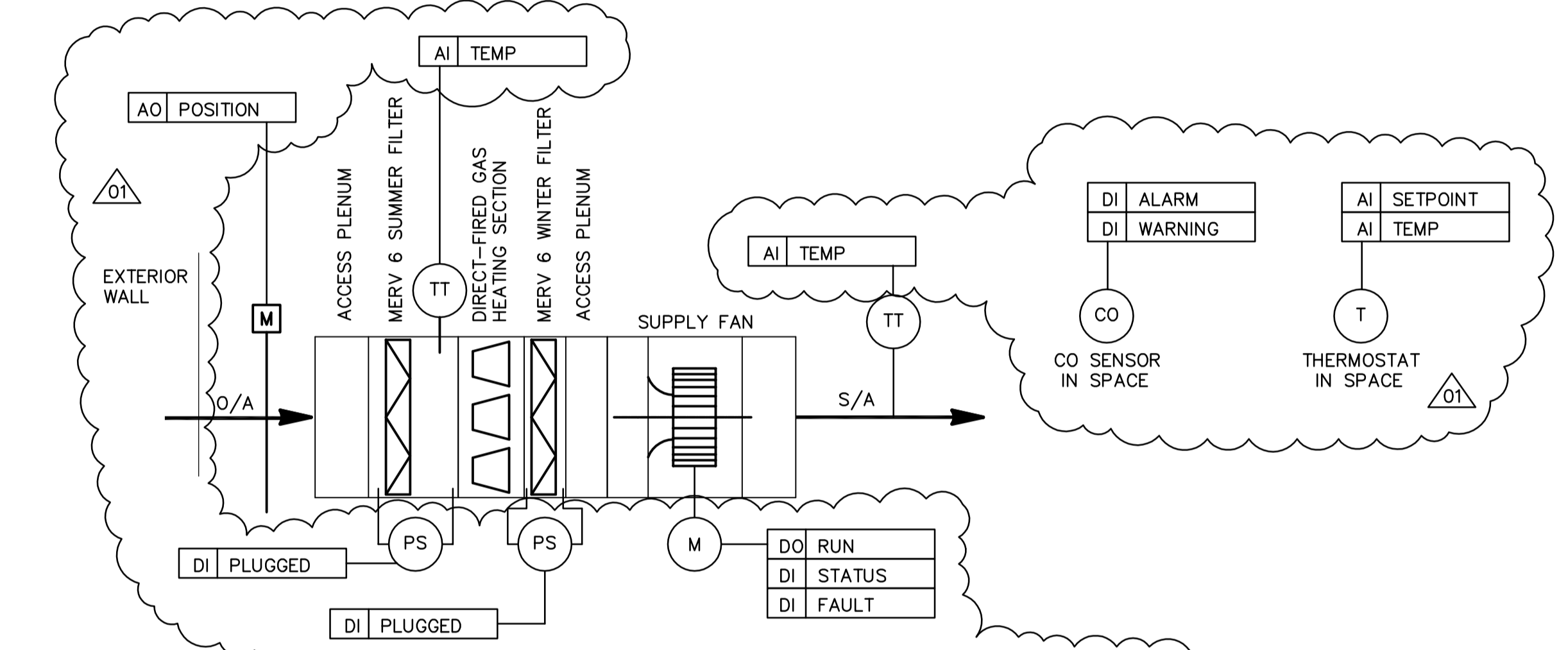


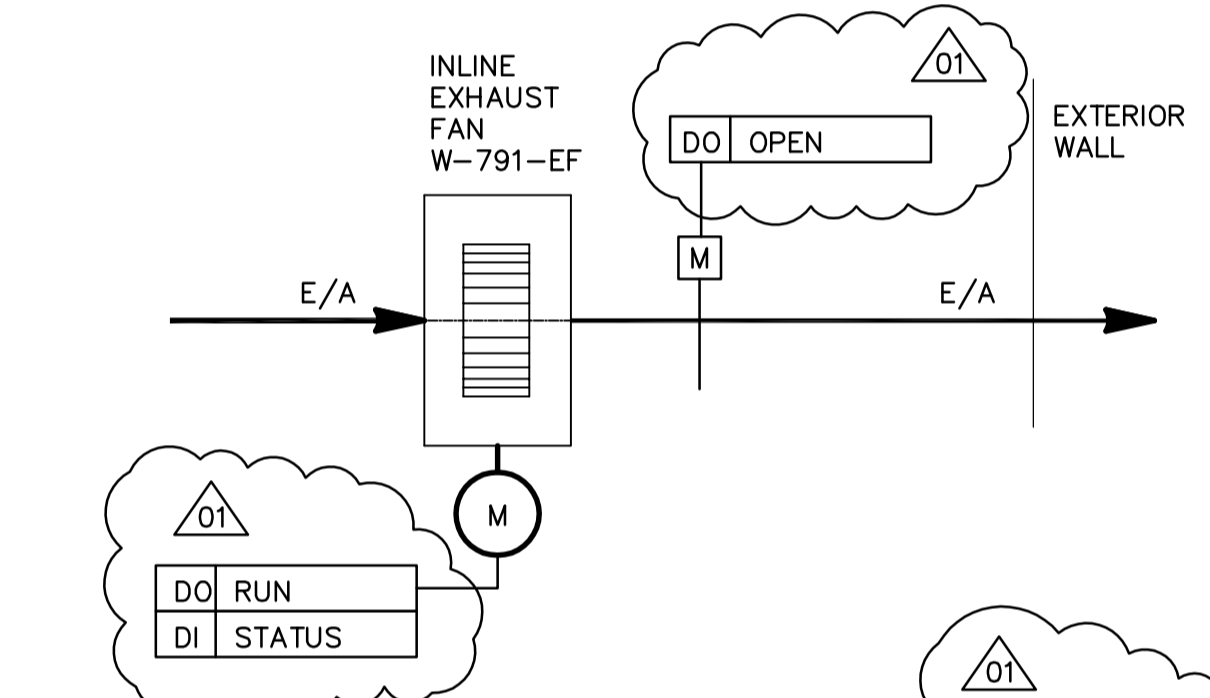
1 CHEMICAL STORAGE BUILDING MAKEUP AIR UNIT (W-795-MAU)
CM2.03 SCALE NTS



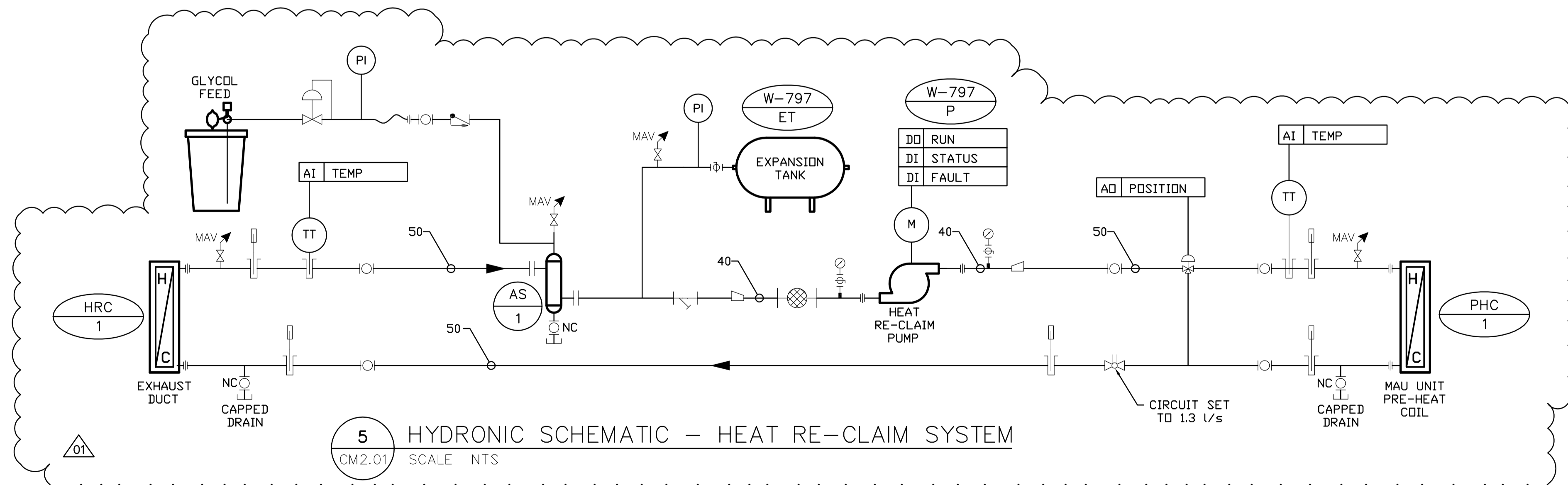
2 CHEMICAL STORAGE BUILDING EXHAUST (W-796-EF)
CM2.03 SCALE NTS



3 RAIL CAR SHELTER MAKEUP AIR UNIT (W-790-MAU)
CM1.02 SCALE NTS



4 RAIL CAR SHELTER EXHAUST (W-791-EF)
CM1.02 SCALE NTS



5 HYDRONIC SCHEMATIC - HEAT RE-CLAIM SYSTEM
CM2.01 SCALE NTS

CONNECTIONS TO PLANT DCS

W-790-MAU	STATUS
W-790-MAU	FAULT
W-791-EF	STATUS
W-791-EF	FAULT
W-795-MAU	STATUS
W-795-MAU	FAULT
W-796-EF	STATUS
W-796-EF	FAULT
W-797-P	STATUS
W-797-P	FAULT
CO CHEM BUILDING	ALARM
CO RAILCAR BUILDING	ALARM

NOTE: MOTOR STATUS SHALL BE PROVIDED VIA CURRENT SENSOR.

GENERAL NOTES

- COORDINATE WITH DIVISION 17 FOR REQUIRED INTERFACE TO PLANT DISTRIBUTED CONTROL SYSTEM (DCS). REFER TO C14.01.



B.M. ELEV.	NO.	REVISIONS	DATE	BY	DATE
	01	611-2005 ADDENDUM 1	06/01/06	DC	
	00	ISSUED FOR TENDER	05/12/2	DC	

EarthTech
A Tyco International Ltd. Company

DESIGNED BY: DC	CHECKED BY: AA
DRAWN BY: DC	APPROVED BY: D. TANIGUCHI
SCALE: N.T.S.	RELEASED FOR CONSTRUCTION BY: K. MARTENS
DATE: 2005/09/21	DATE: 05/12/02

ENGINEER'S SEAL
ORIGINAL SIGNED BY: P. TATARYN
2005/12/02
CONSULTANT DRAWING NO. CM3.01

THE CITY OF WINNIPEG
WATER AND WASTE DEPARTMENT
ENGINEERING DIVISION

NEWPCC CENTRATE NUTRIENT TREATMENT PHOSPHORUS REMOVAL FACILITY
CONTRACT No. 1

MECHANICAL HVAC SCHEMATICS

CITY FILE NUMBER
SHEET OF
CITY DRAWING NUMBER
1-101F-G-M0001-001-01-D