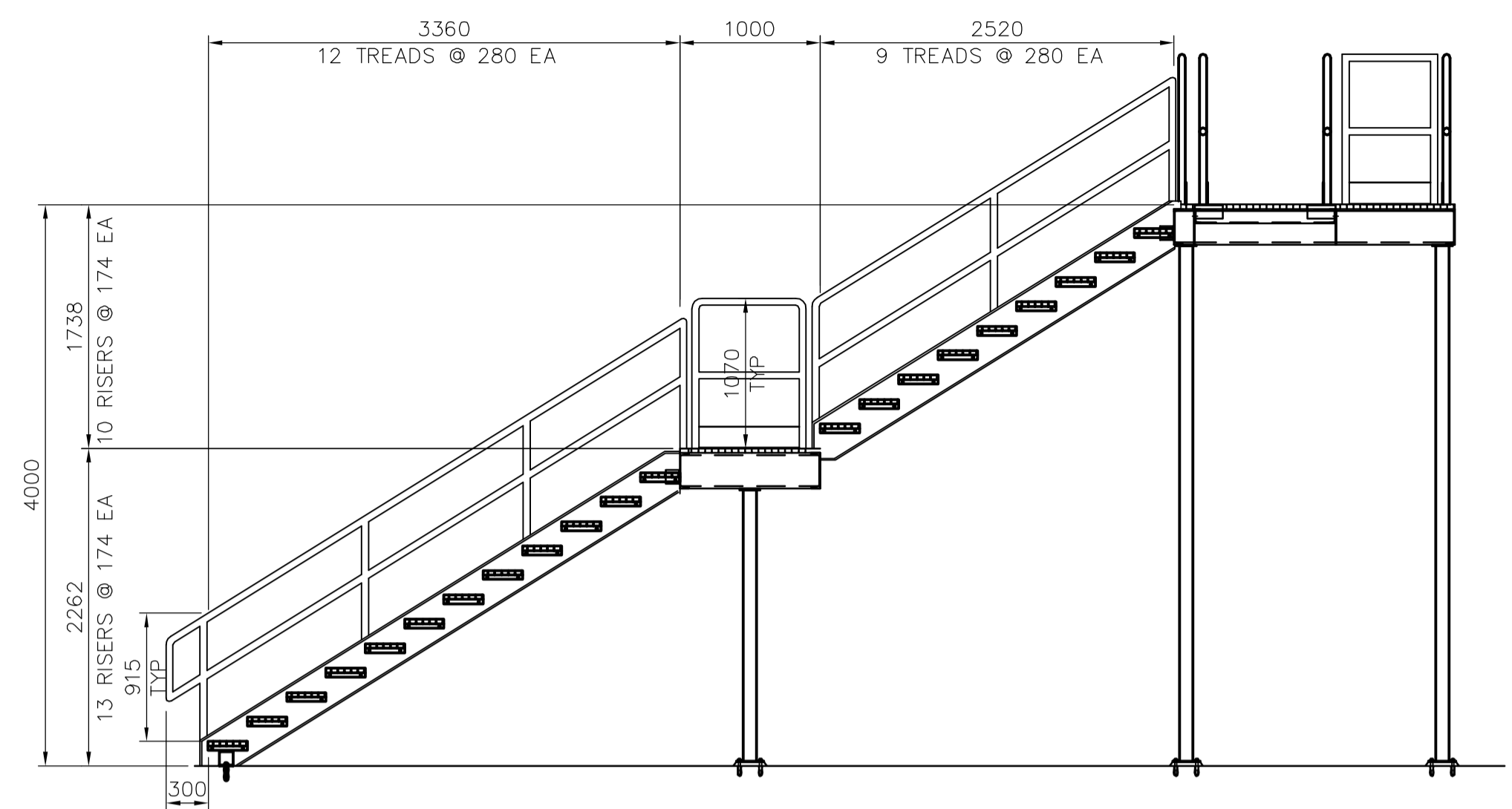
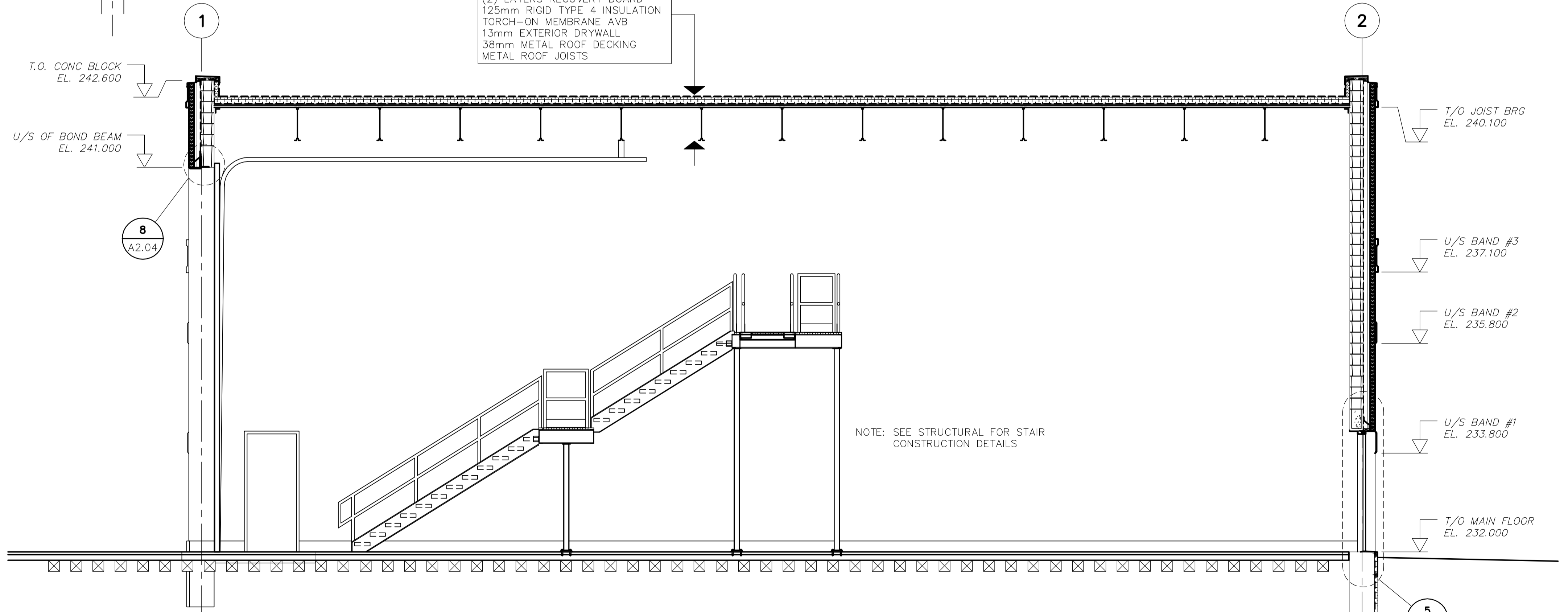


1 BUILDING SECTION
SCALE 1:50



3 STAIR DETAIL
SCALE 1:40



2 BUILDING SECTION - TRANSVERSE
SCALE 1:50



B.M. ELEV.			
DESIGNED BY	NC	CHECKED BY	NC
DRAWN BY	LK	APPROVED BY	D. TANIGUCHI
SCALE:	AS NOTED	RELEASED FOR CONSTRUCTION BY:	K. MARTENS
NO.	ISSUED FOR TENDER	DATE	05/12/07
REVISIONS		DATE	05/12/02

EarthTech
A Tyco International Ltd. Company

ENGINEER'S SEAL
PROVINCE OF MANITOBA
ORIGINAL SIGNED BY
NEIL COOPER
ARCHITECT
INC.
No. 090
REGISTERED ARCHITECTURAL CORPORATION

CONSULTANT DRAWING NO.
CA2.03

THE CITY OF WINNIPEG
WATER AND WASTE DEPARTMENT
ENGINEERING DIVISION

NEWPCC CENTRATE NUTRIENT TREATMENT
PHOSPHORUS REMOVAL FACILITY
CONTRACT No. 1

ARCHITECTURAL
RAILCAR BUILDING
BUILDING SECTIONS

CITY FILE NUMBER
SHEET 3 OF 4
CITY DRAWING NUMBER
1-00F-A-80003-001-00-D