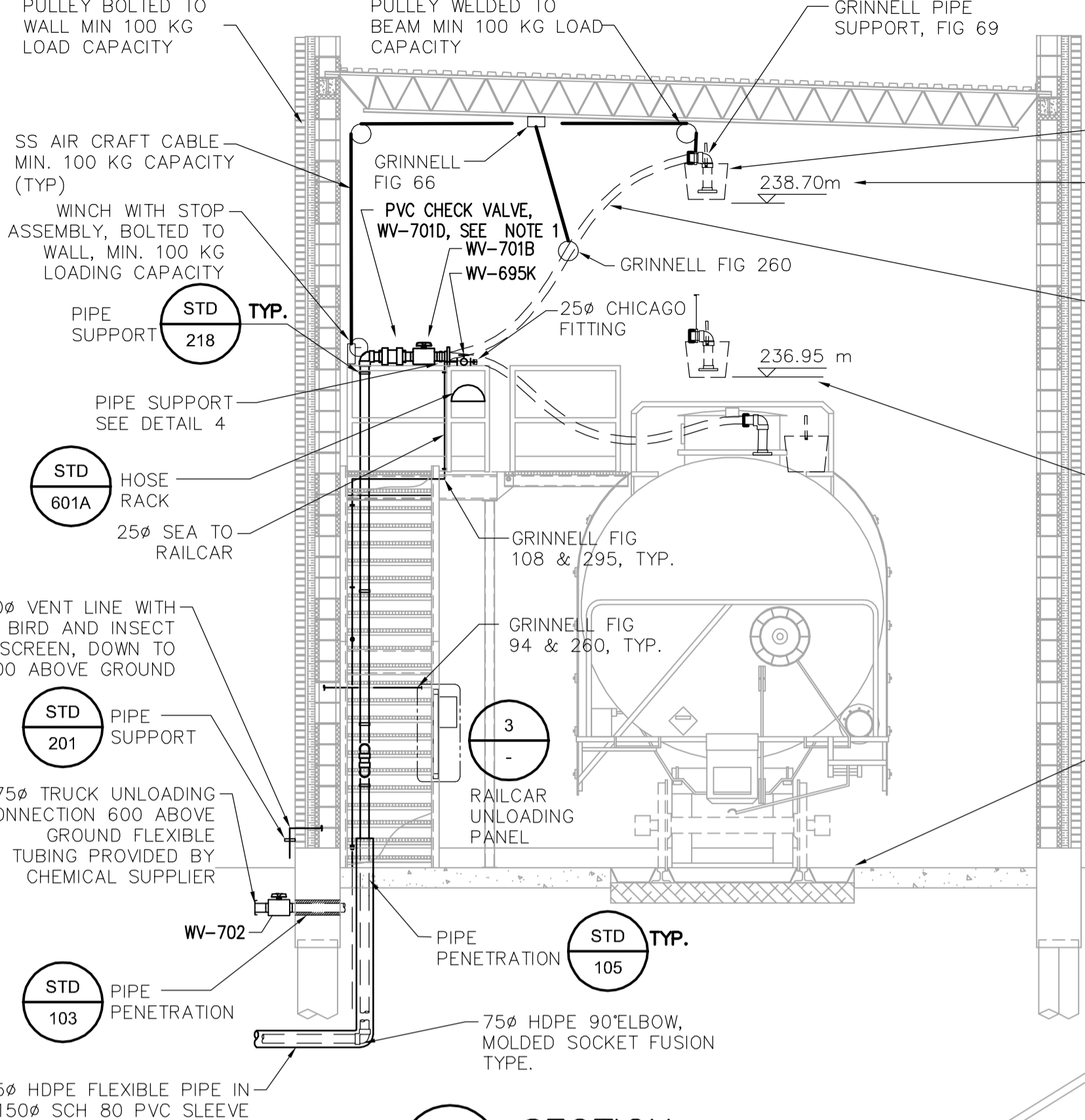
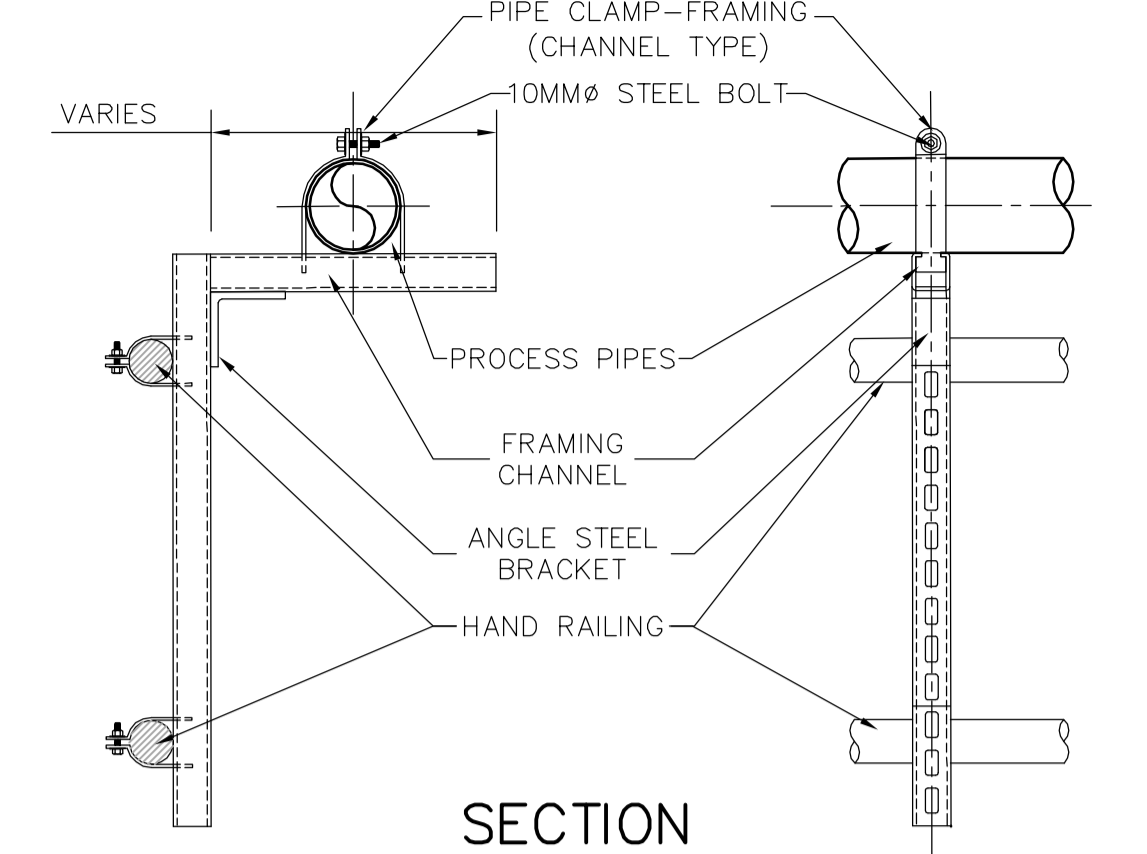


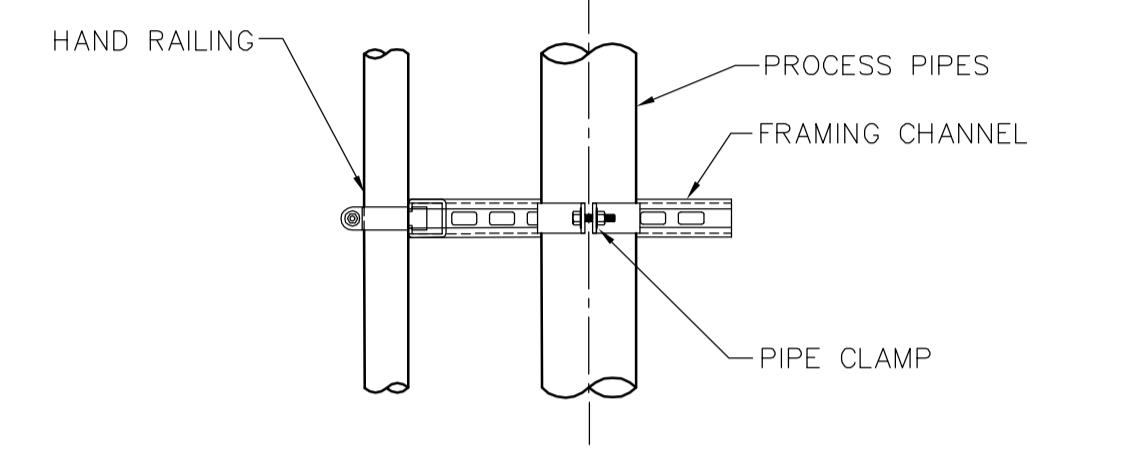
A SECTION
SCALE 1:50



B SECTION
SCALE 1:50

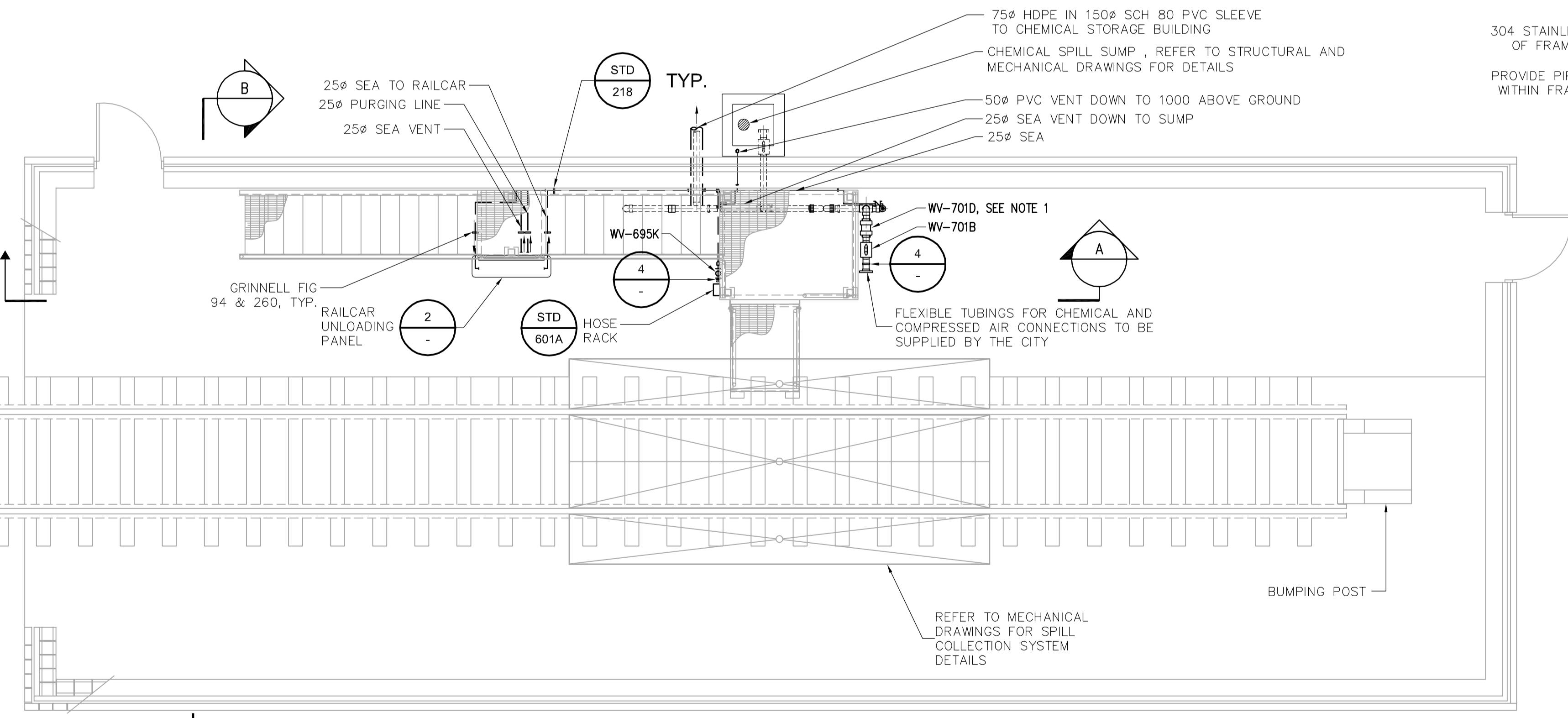


SECTION

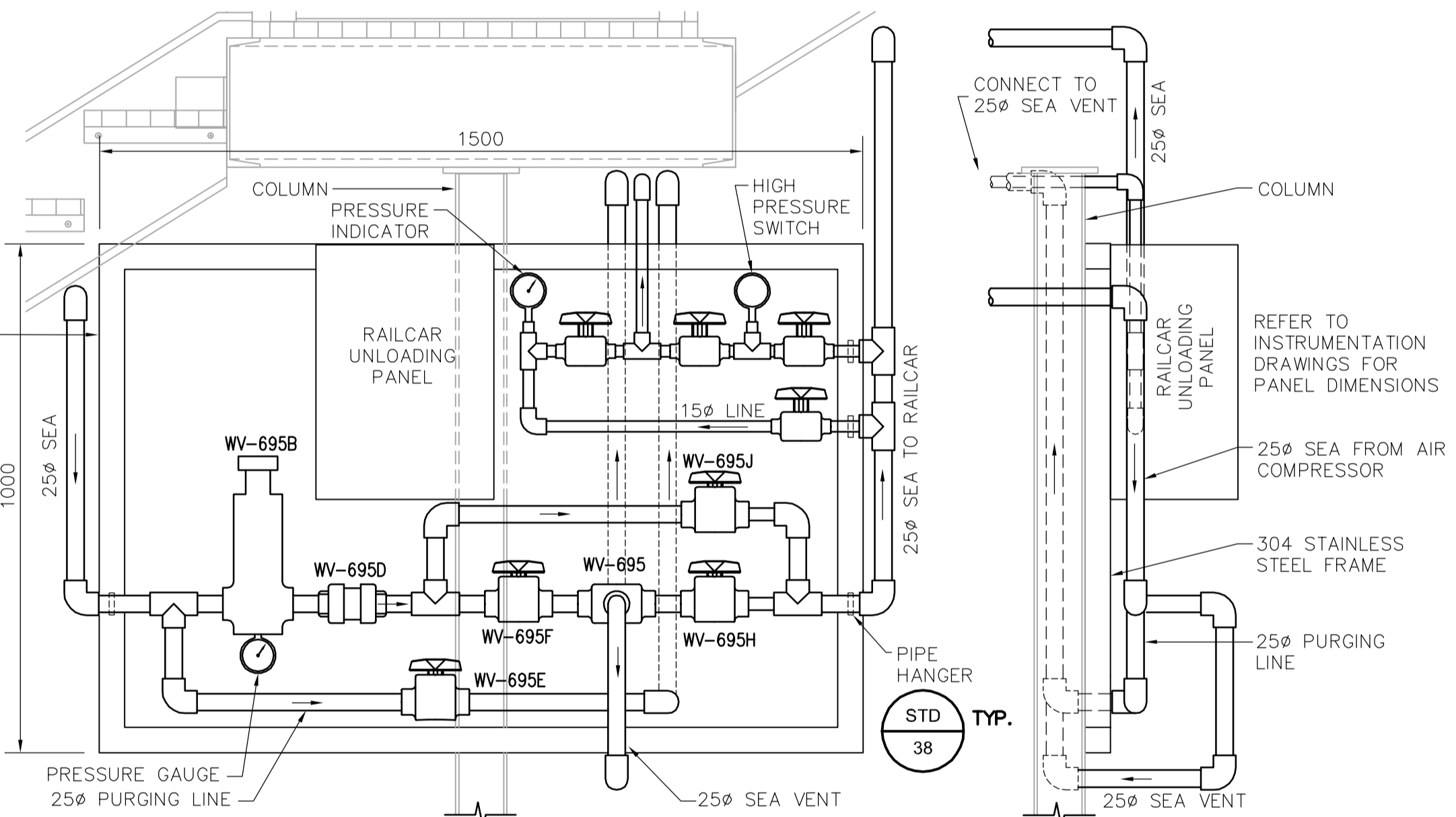


PLAN

4 PIPE SUPPORT
SCALE NTS

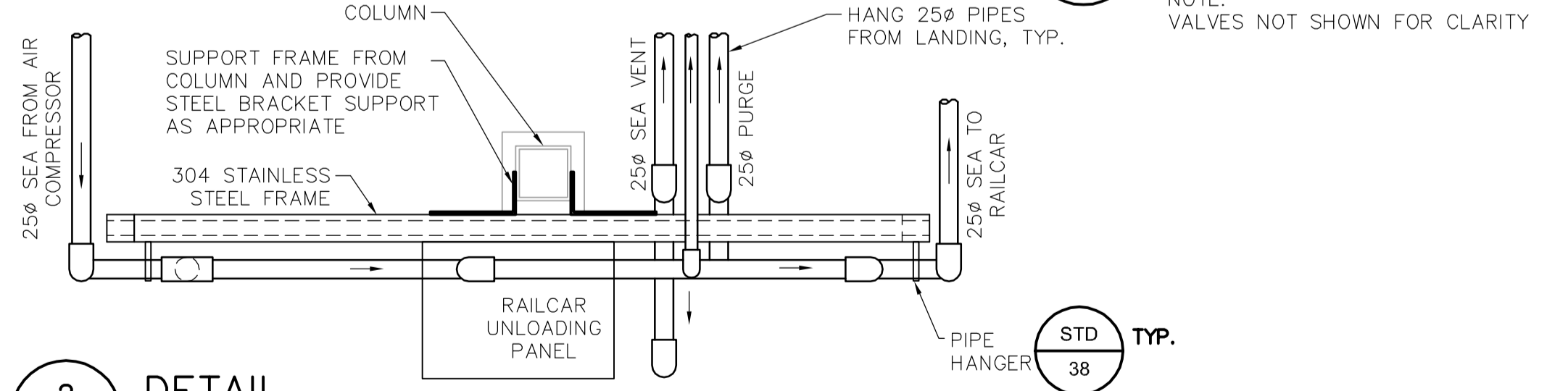


PLAN
SCALE 1:50



1 DETAIL
SCALE 1:10

3 DETAIL
SCALE 1:10
NOTE: VALVES NOT SHOWN FOR CLARITY



2 DETAIL
SCALE 1:10
NOTE: VALVES NOT SHOWN FOR CLARITY

NOTES
1. CHECK VALVES TO BE PVC BALL CHECK VALVES WITH VITON SEATS, RATED FOR 150 PSI. VALVES TO BE CHEMLINE, HAYWARD TRUE CHECK, OR EQUIVALENT.
2. PROVIDE WARNING SIGNS AT EACH DOOR ENTRANCE AND ON THE UNLOADING PLATFORM. SIGN TO STATE: WARNING: HAZARDOUS CHEMICAL, WEAR PERSONAL PROTECTIVE EQUIPMENT.



B.M. ELEV.					
00	ISSUED FOR TENDER	05/12/2	GLG		
	NO. REVISIONS	DATE	BY	DATE	DATE
				2005/07/28	05/12/02

EarthTech
A Tyco International Ltd. Company

DESIGNED BY	LW/SB	CHECKED BY	JEH
DRAWN BY	LAE	APPROVED BY	D. TANIGUCHI
SCALE:	1:50	RELEASED FOR CONSTRUCTION BY:	K. MARTENS
		DATE	05/12/02

ENGINEER'S SEAL
ORIGINAL SIGNED BY
J.E. HUTCHISON
2005/12/02
CONSULTANT DRAWING NO.
CP4.01

THE CITY OF WINNIPEG
WATER AND WASTE DEPARTMENT
ENGINEERING DIVISION

NEWPCC CENTRATE NUTRIENT TREATMENT
PHOSPHORUS REMOVAL FACILITY
CONTRACT No. 1

PROCESS
RAILCAR SHELTER
PLAN AND SECTIONS

CITY FILE NUMBER
SHEET OF
CITY DRAWING NUMBER
1-00F-A-P0001-001-00-D