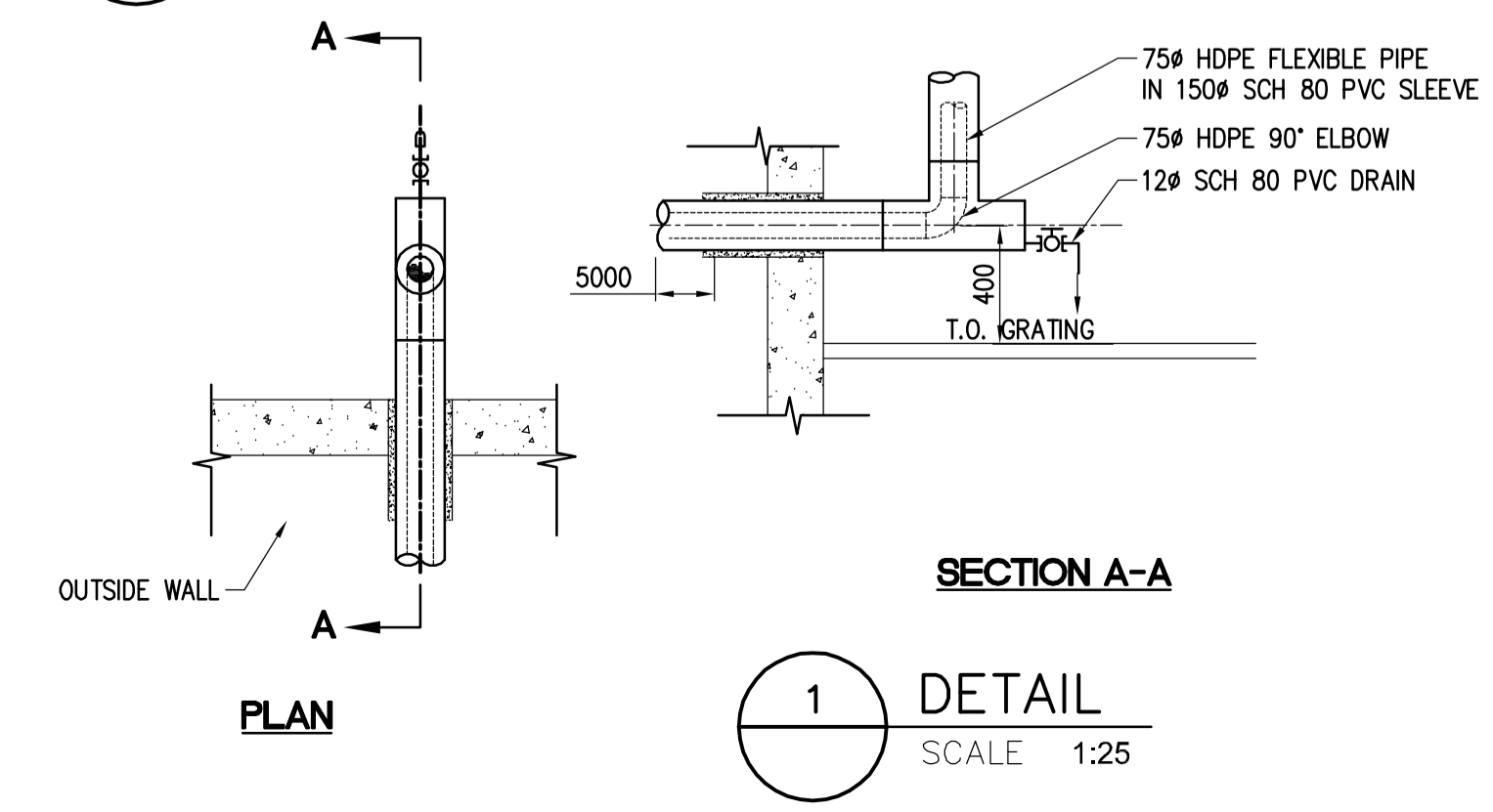
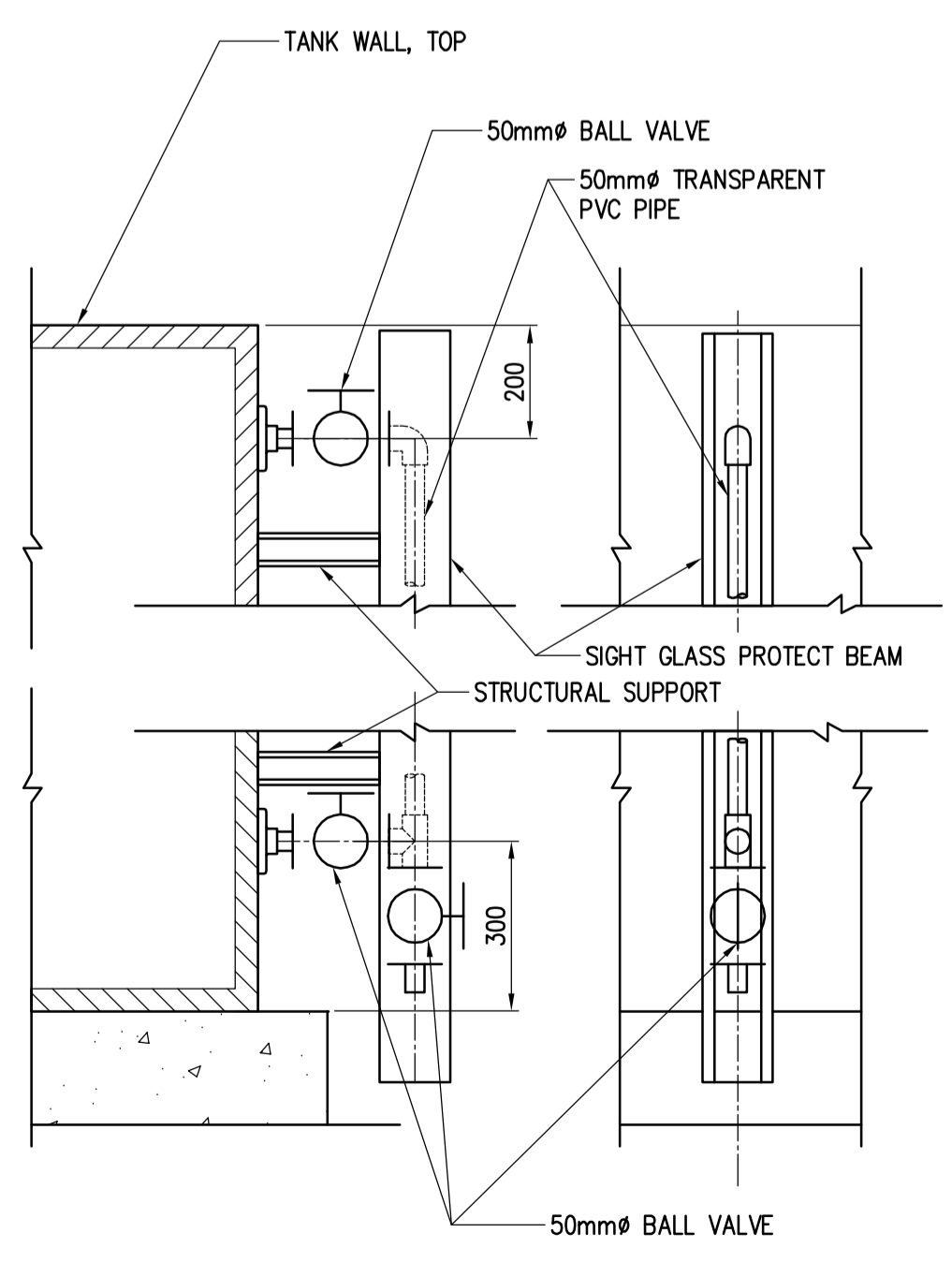


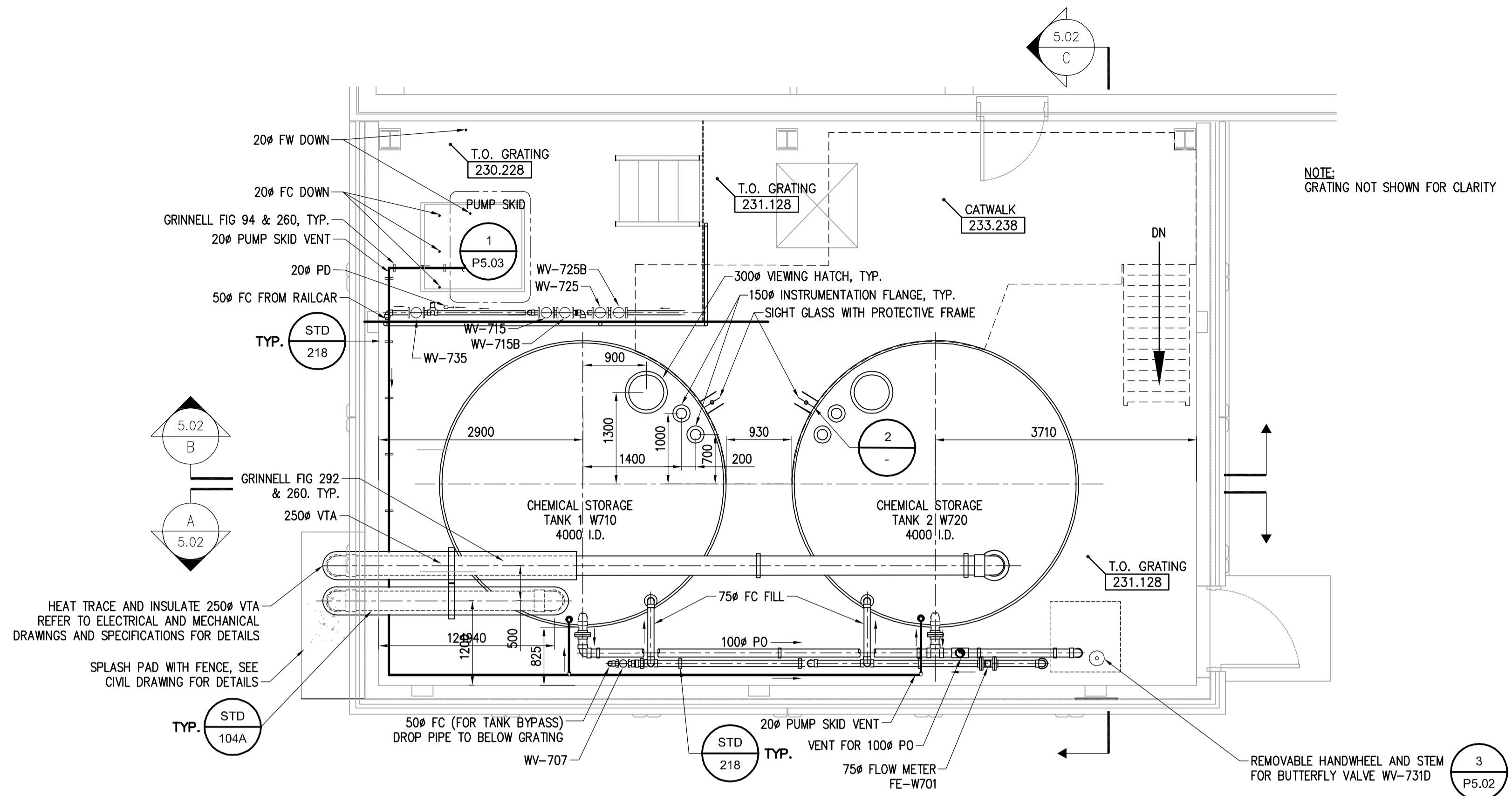
A SLUDGE DEWATERING BUILDING BASEMENT PLAN
SCALE 1:100



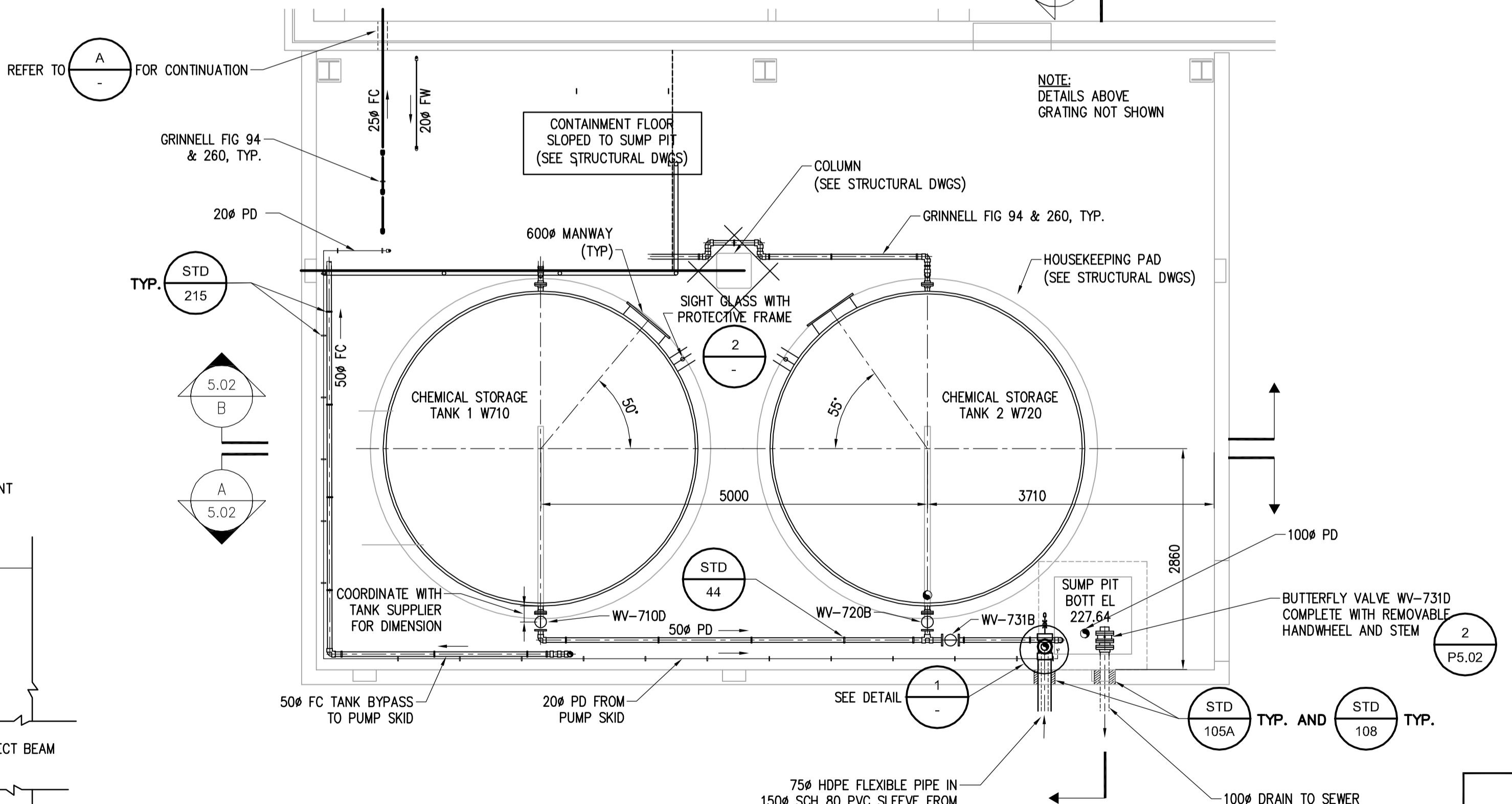
1 DETAIL
SCALE 1:25



2 SIGHT GLASS DETAIL
SCALE NTS



C CHEMICAL STORAGE BUILDING PLAN VIEW AT TOP OF TANKS
SCALE 1:50



B CHEMICAL STORAGE BUILDING CONTAINMENT AREA PLAN
SCALE 1:50

B.M. ELEV. NO. REVISIONS DATE BY	EarthTech A Tyco International Ltd. Company		ENGINEER'S SEAL ORIGINAL SIGNED BY J.E. HUTCHISON 2005/12/02	THE CITY OF WINNIPEG WATER AND WASTE DEPARTMENT ENGINEERING DIVISION NEWPCC CENTRATE NUTRIENT TREATMENT PHOSPHORUS REMOVAL FACILITY CONTRACT No. 1 PROCESS CHEMICAL STORAGE BUILDING PLAN	CITY FILE NUMBER SHEET OF CITY DRAWING NUMBER 1-010F-A-P0002-001-00-D				
	DESIGNED BY	LW/SB	CHECKED BY			JEH			
	DRAWN BY	JBC	APPROVED BY			D. JEANIGUCHI			
	SCALE:	1:50	RELEASED FOR CONSTRUCTION BY:			K. MARTENS			
00 ISSUED FOR TENDER	05/12/02	DATE	2005/07/28	DATE	05/12/02	CONSULTANT DRAWING NO.	CP5.01		

APECM
Certificate of Authorization
Earth Tech Canada Inc.
No. 730 Expiry: April 30, 2006