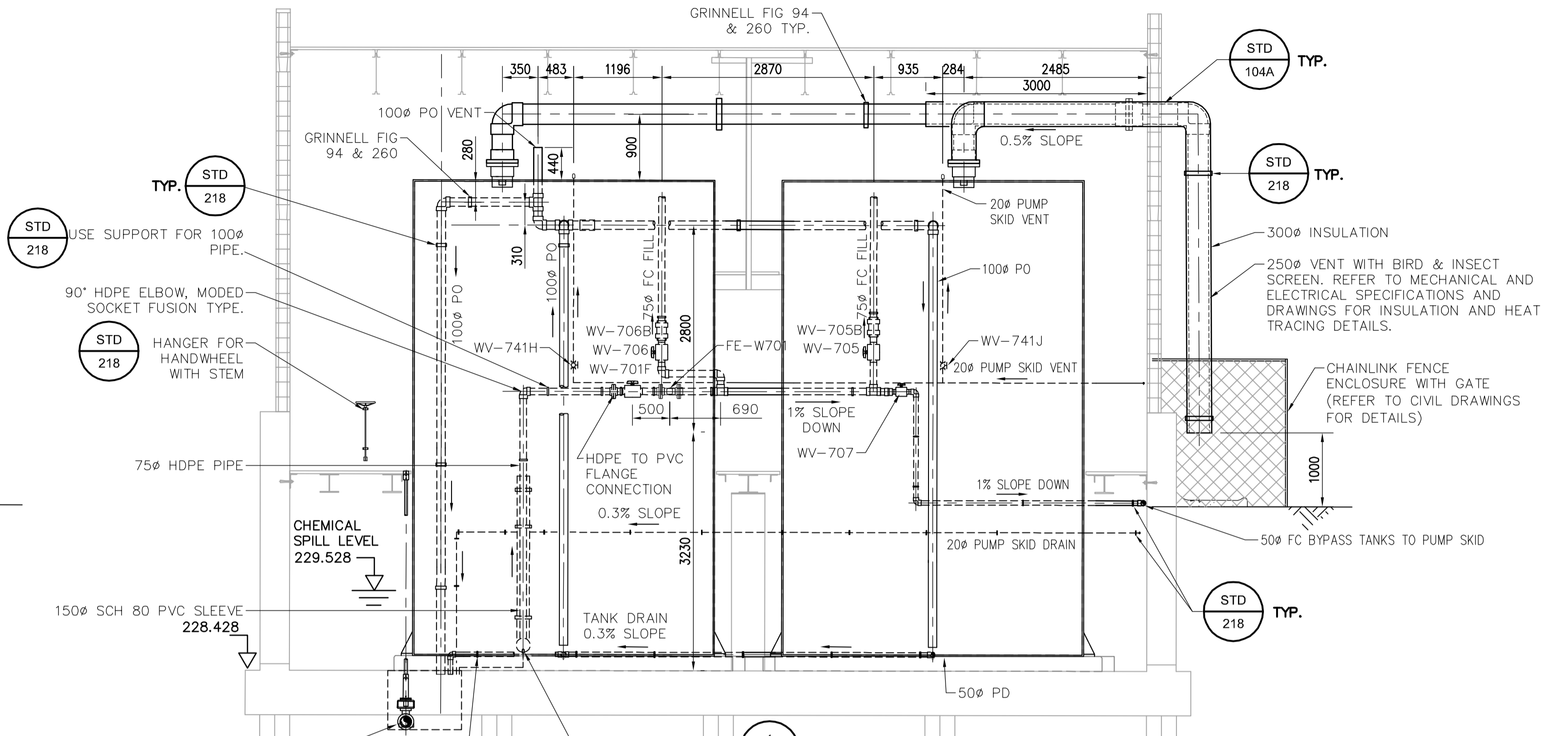
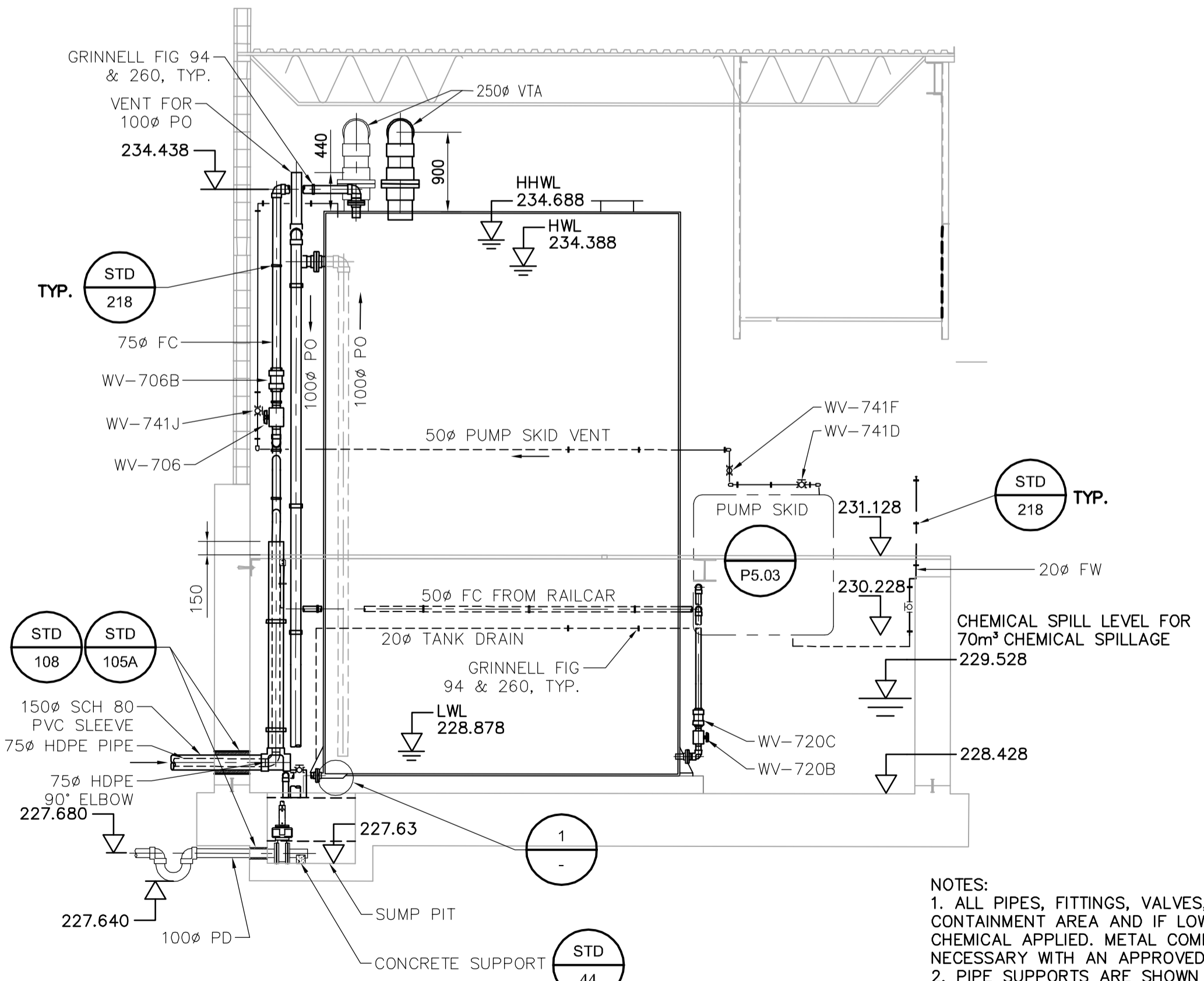


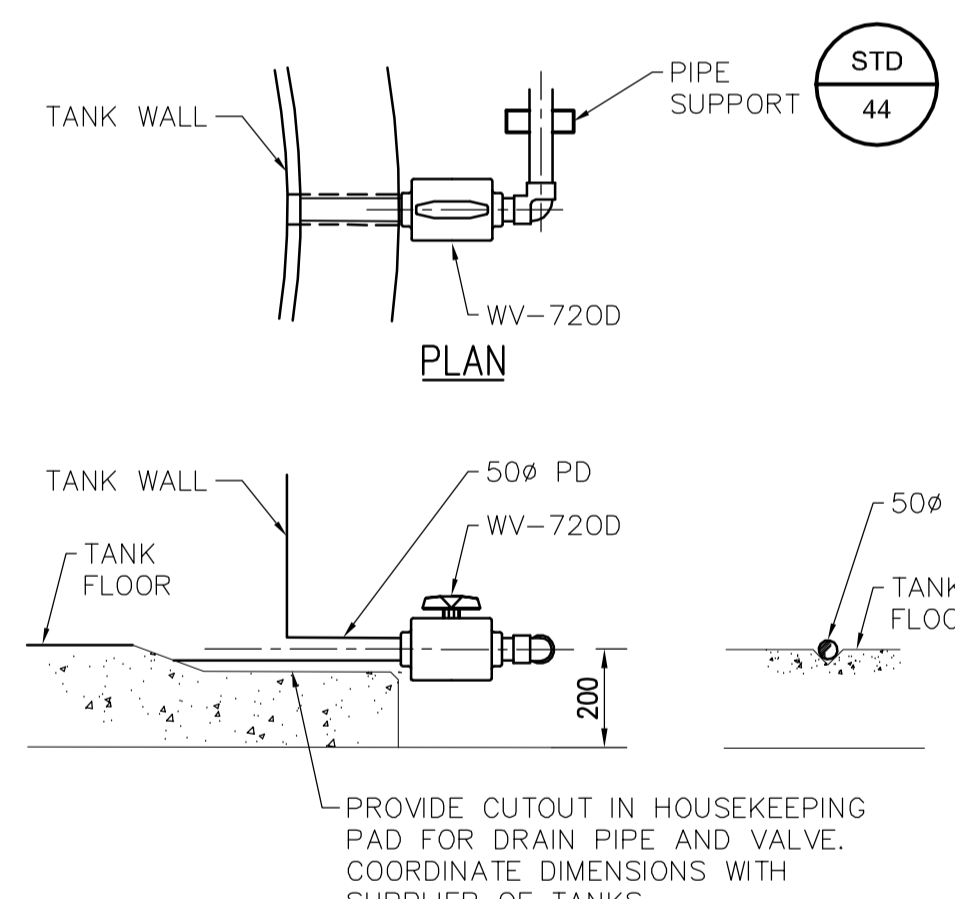
B SECTION
SCALE 1:50



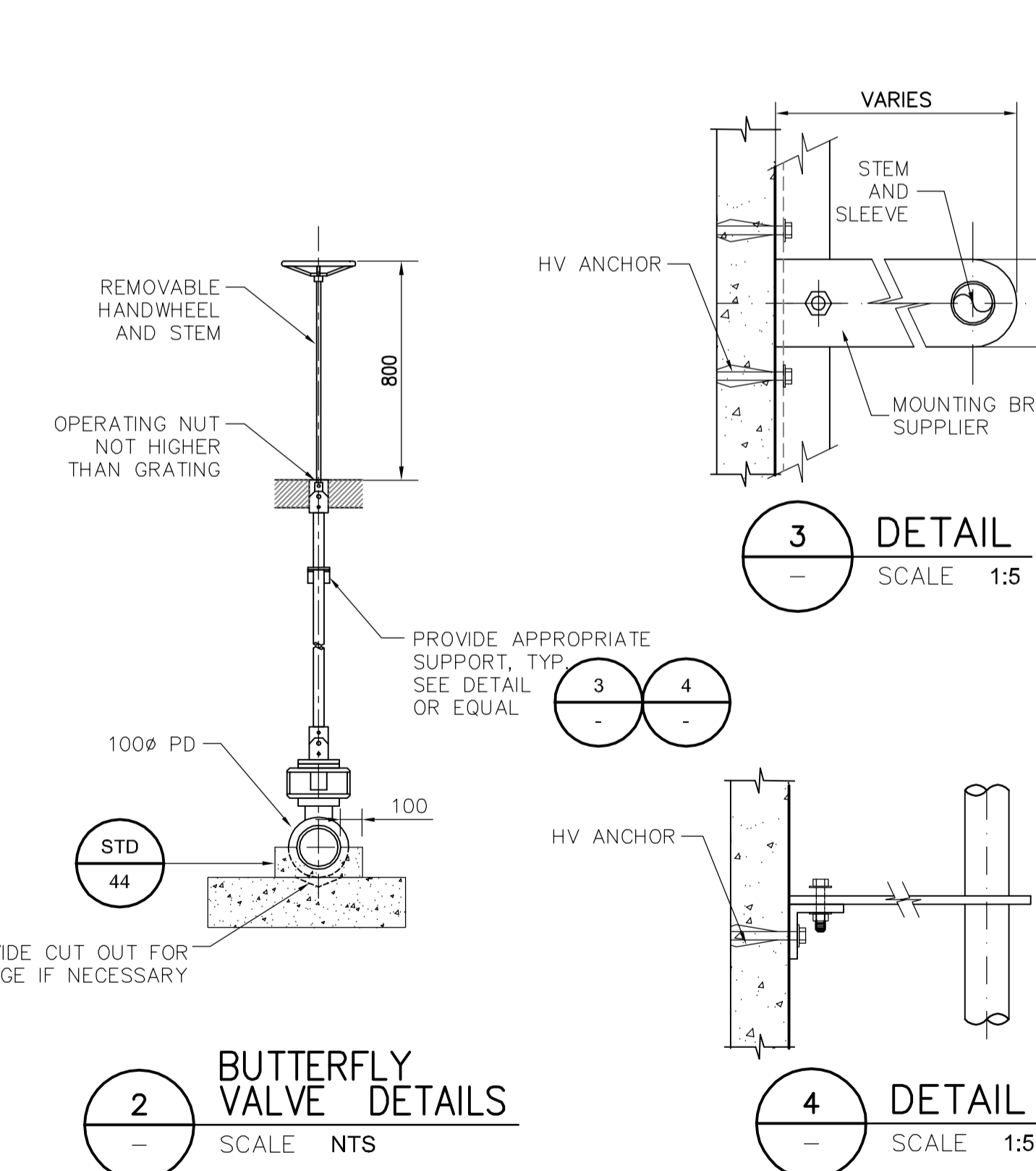
A SECTION
SCALE 1:50



C SECTION
SCALE 1:50



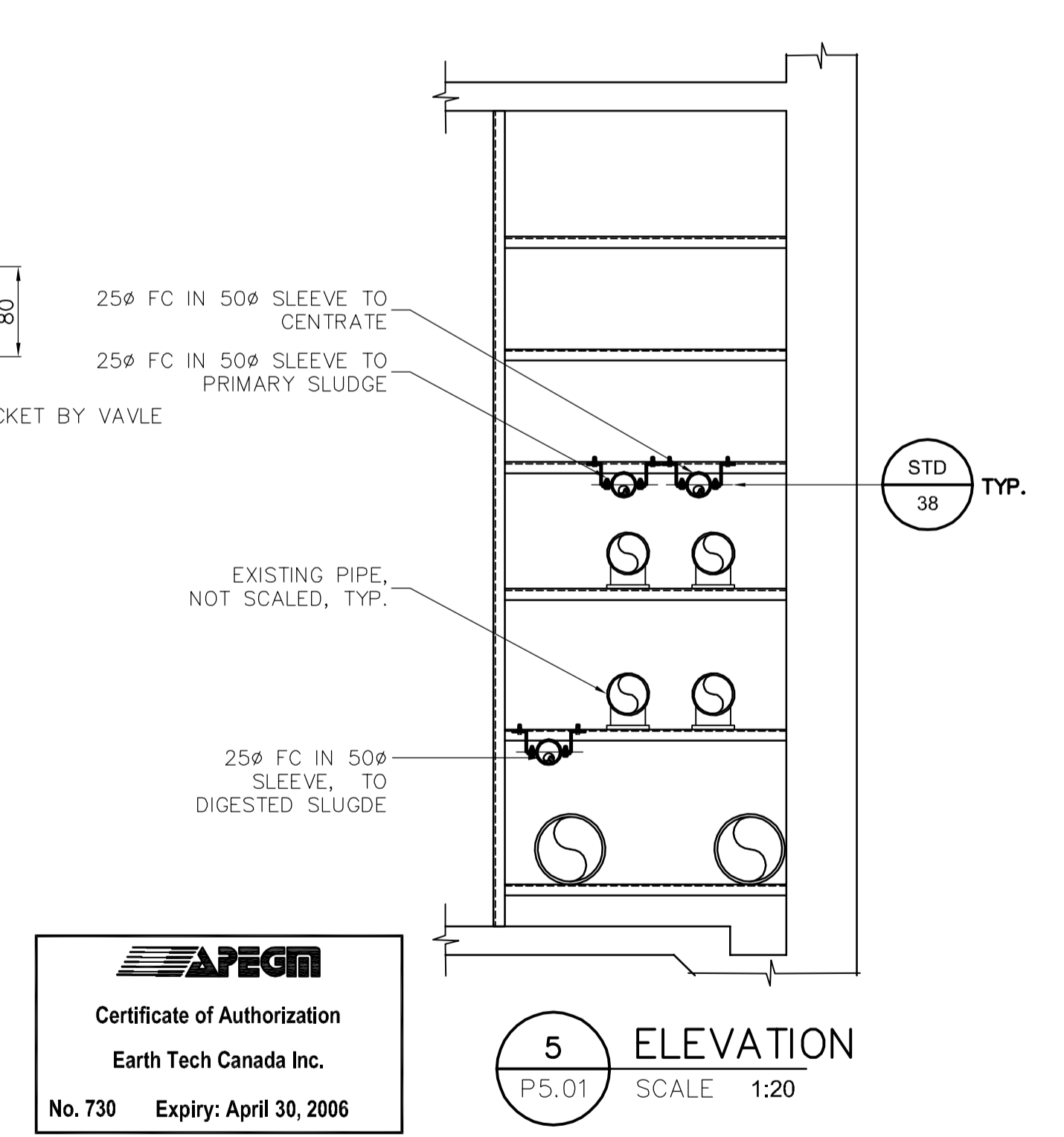
1 TANK DRAIN
SCALE NTS



2 BUTTERFLY VALVE DETAILS
SCALE NTS

3 DETAIL
SCALE 1:5

4 DETAIL
SCALE 1:5



5 ELEVATION
SCALE 1:20

- NOTES:**
1. ALL PIPES, FITTINGS, VALVES, SUPPORTS, FLANGES AND BOLTS IN THE CONTAINMENT AREA AND IF LOWER THAN 229.53 m SHALL BE RESISTANT TO CHEMICAL APPLIED. METAL COMPONENTS SHALL ONLY BE USED WHERE ABSOLUTELY NECESSARY WITH AN APPROVED CORROSION RESISTANT COATING.
 2. PIPE SUPPORTS ARE SHOWN TO INDICATE TYPICAL LOCATIONS. THE CONTRACTOR SHALL PROVIDE SUPPORTS IN ACCORDANCE WITH THE SPECIFICATIONS.
 3. CHEMICAL TRANSFER PIPE USES 150# DR 26 PVC PIPE BETWEEN RAILCAR SHELTER AND CHEMICAL STORAGE BUILDING. INSTALLATION AND TEST WITH SAME METHODS FOR BURIED PROCESS PIPE.
 4. CHECK VALVES TO BE PVC BALL CHECK VALVES WITH VITON SEATS, RATED FOR 150 PSI. VALVES TO BE CHEMLINE, HAYWARD TRUE CHECK, OR EQUIVALENT.
5. PROVIDE WARNING SIGNS AT EACH DOOR ENTRANCE AND BESIDE THE PUMP SKID. SIGN TO STATE: WARNING: HAZARDOUS CHEMICAL, WEAR PERSONAL PROTECTIVE EQUIPMENT.

B.M. ELEV.			
NO.	ISSUED FOR TENDER	05/12/2	GLG
NO.	REVISIONS	DATE	BY
		2005/07/28	

EarthTech
A Tyco International Ltd. Company

DESIGNED BY	LW/SB	CHECKED BY	JEH
DRAWN BY	GLG	APPROVED BY	D. TANIGUCHI
SCALE:	AS NOTED	RELEASED FOR CONSTRUCTION BY:	K. MARTENS
DATE	2005/07/28	DATE	05/12/02

ENGINEER'S SEAL
ORIGINAL SIGNED BY
J.E. HUTCHISON
2005/12/02
CONSULTANT DRAWING NO.
CP5.02

THE CITY OF WINNIPEG
WATER AND WASTE DEPARTMENT
ENGINEERING DIVISION

NEWPCC CENTRATE NUTRIENT TREATMENT
PHOSPHORUS REMOVAL FACILITY
CONTRACT No. 1

PROCESS
CHEMICAL STORAGE BUILDING
SECTIONS

CITY FILE NUMBER
SHEET OF
CITY DRAWING NUMBER
1-00F-A-P0003-001-00-D