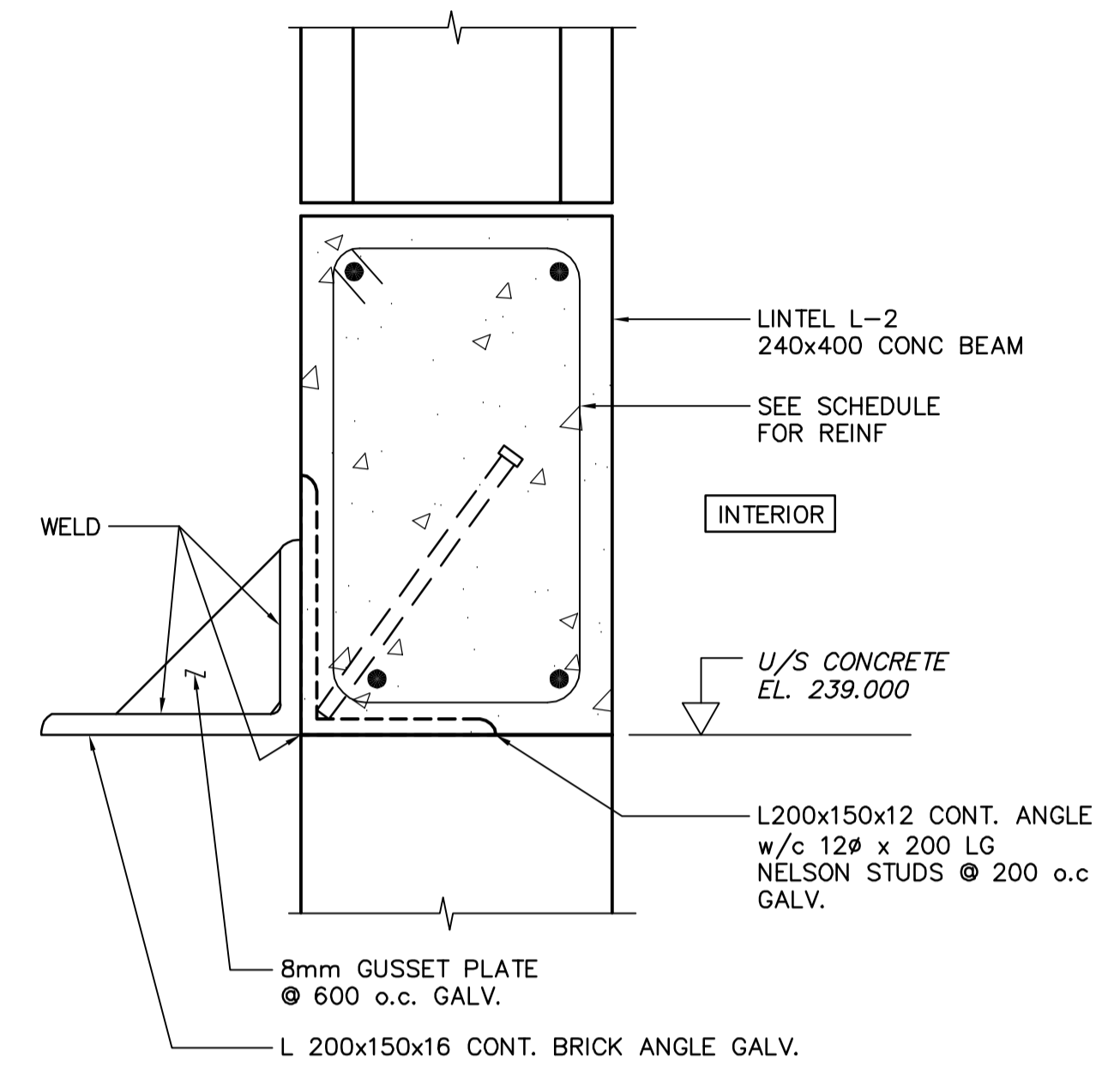
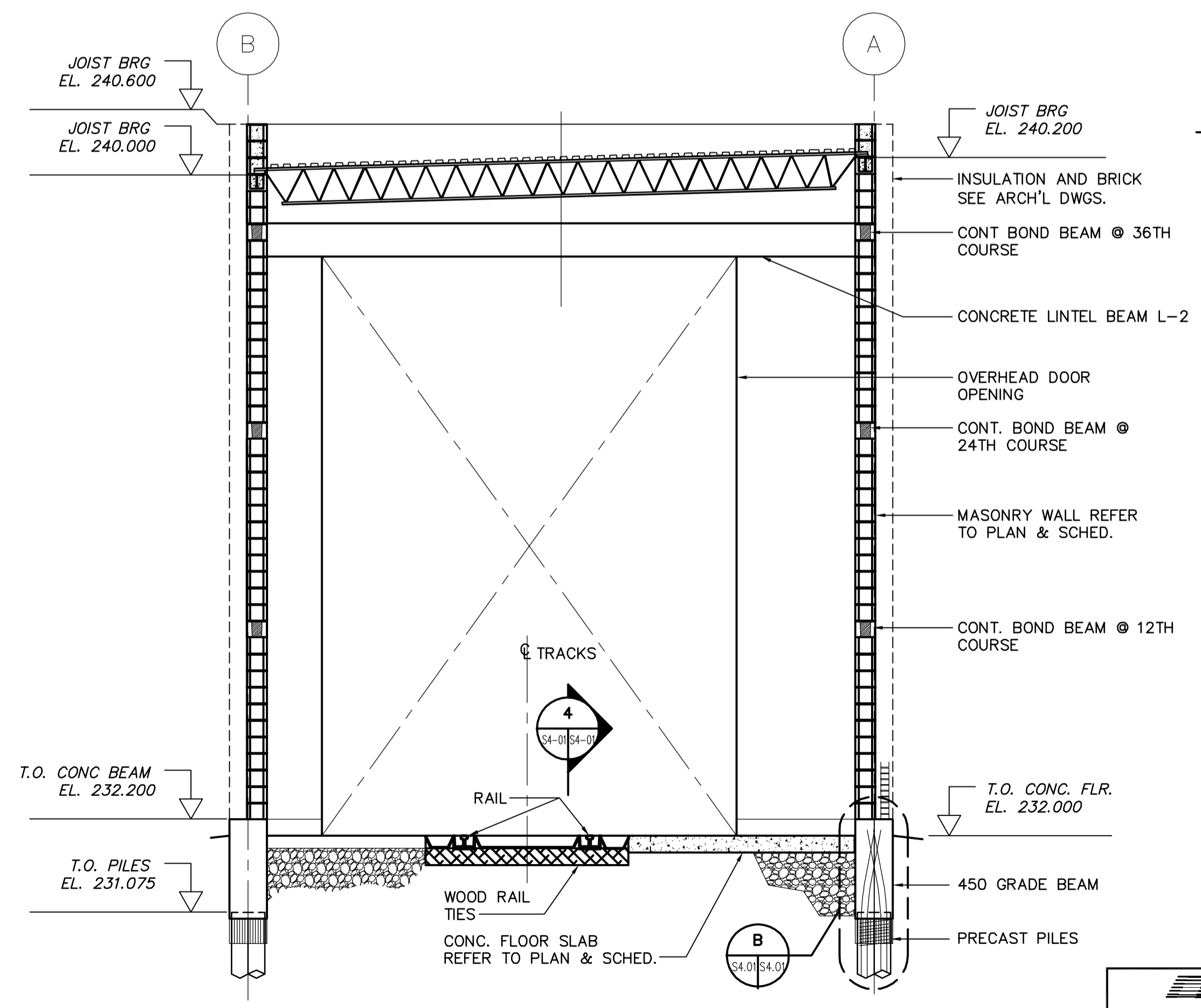


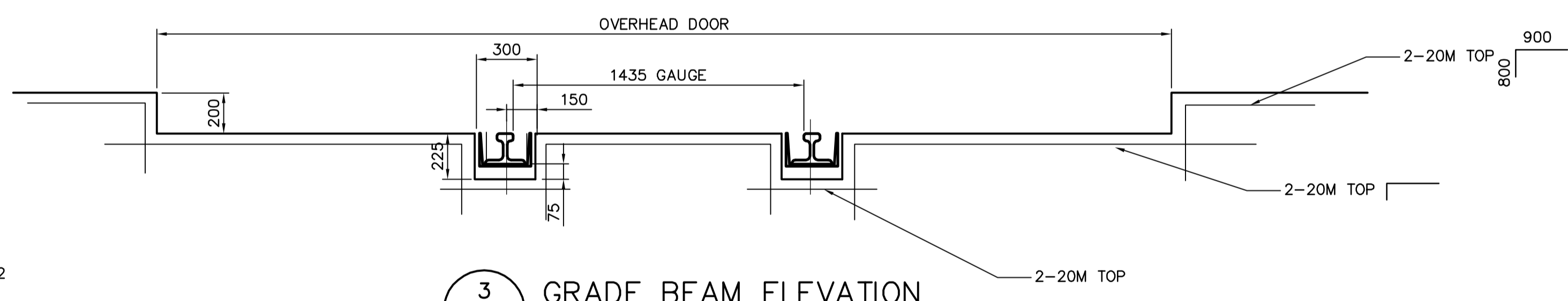
1 SECTION
SCALE 1:50



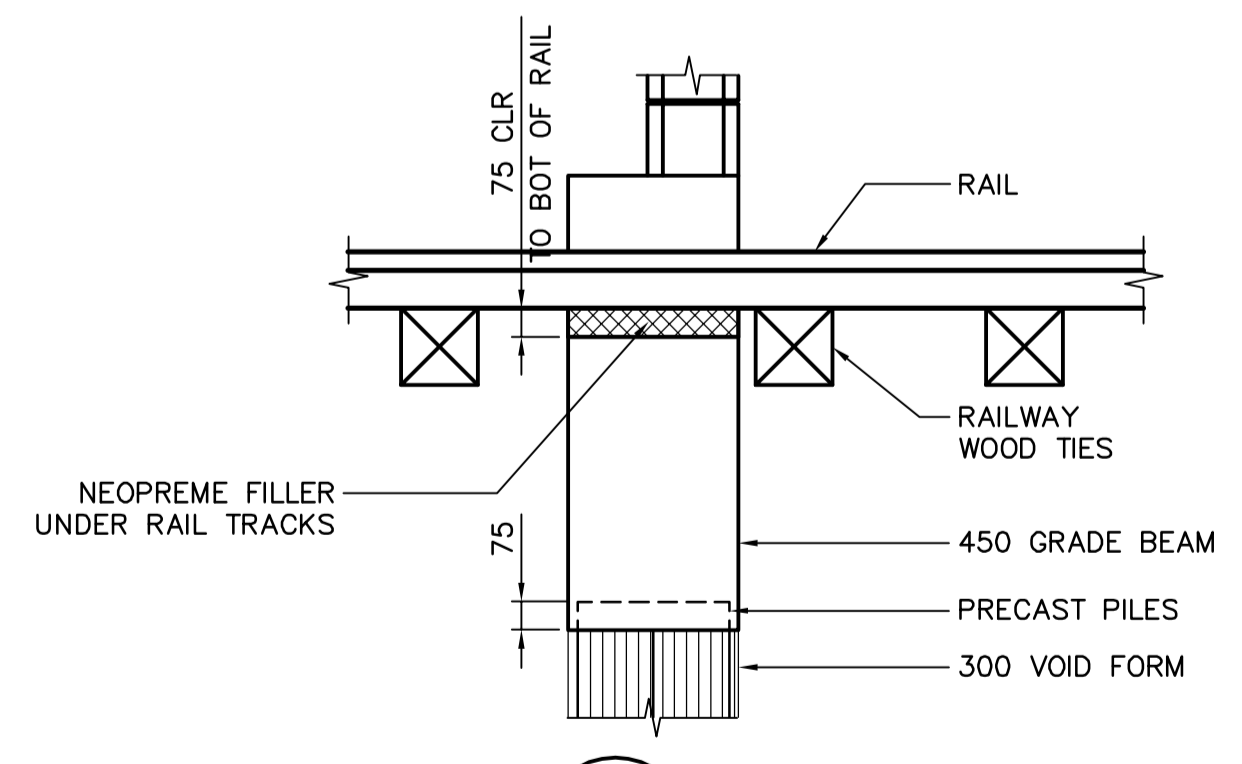
A DETAIL
SCALE 1:5



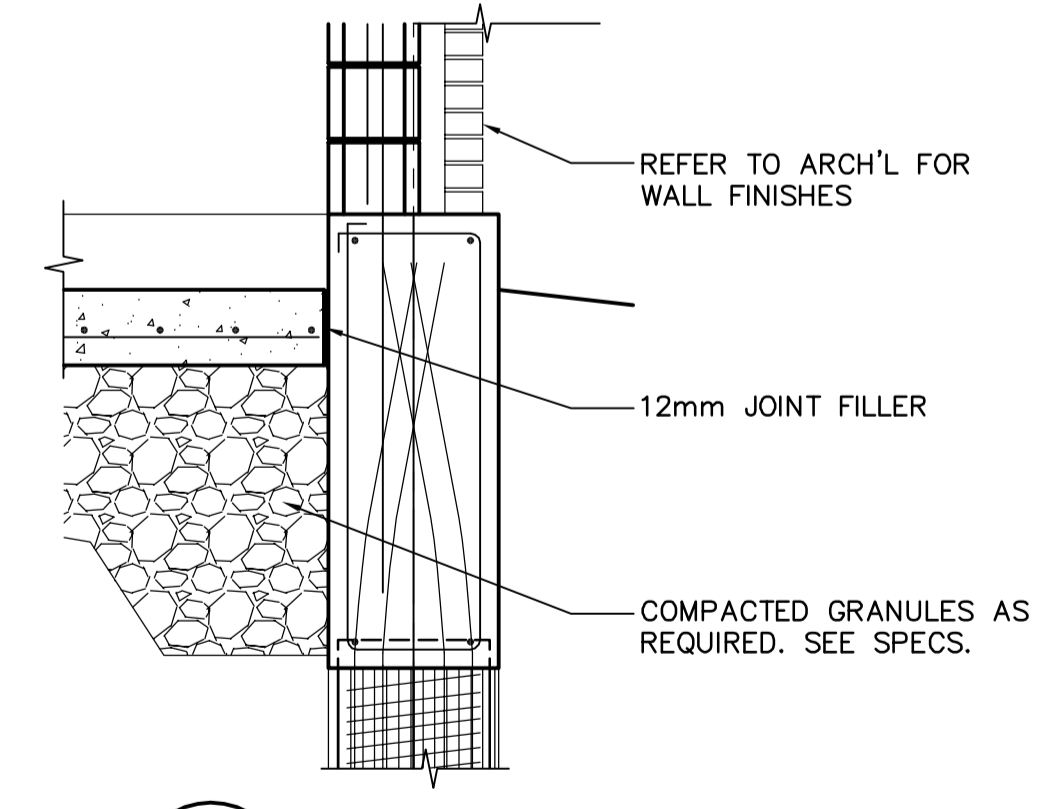
2 SECTION
SCALE 1:50



3 GRADE BEAM ELEVATION
SCALE 1:20



4 SECTION
SCALE 1:20



B DETAIL
SCALE 1:20

APEGN
Certificate of Authorization
Earth Tech Canada Inc.
No. 730 Expiry: April 30, 2006

B.M. ELEV.			
DESIGNED BY	AP/GGP	CHECKED BY	MK
DRAWN BY	WDB	APPROVED BY	D. TANIGUCHI
SCALE:	AS NOTED	RELEASED FOR CONSTRUCTION BY:	K. MARTENS
NO. REVISIONS		DATE	2005/09/09
		DATE	05/12/02

EarthTech
A Tyco International Ltd. Company

ENGINEER'S SEAL
ORIGINAL SIGNED BY
M. KLASSON
2005/12/02
CONSULTANT DRAWING NO.
CS4.01

THE CITY OF WINNIPEG
WATER AND WASTE DEPARTMENT
ENGINEERING DIVISION
NEWPCC CENTRATE NUTRIENT TREATMENT
PHOSPHORUS REMOVAL FACILITY
CONTRACT No. 1
STRUCTURAL
RAILCAR SHELTER
BUILDING SECTIONS
CITY FILE NUMBER
SHEET OF
CITY DRAWING NUMBER
1-000F-A-80001-001-00-D