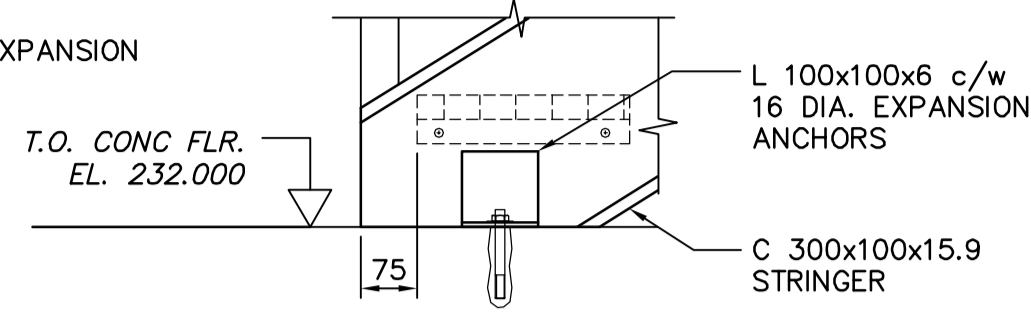
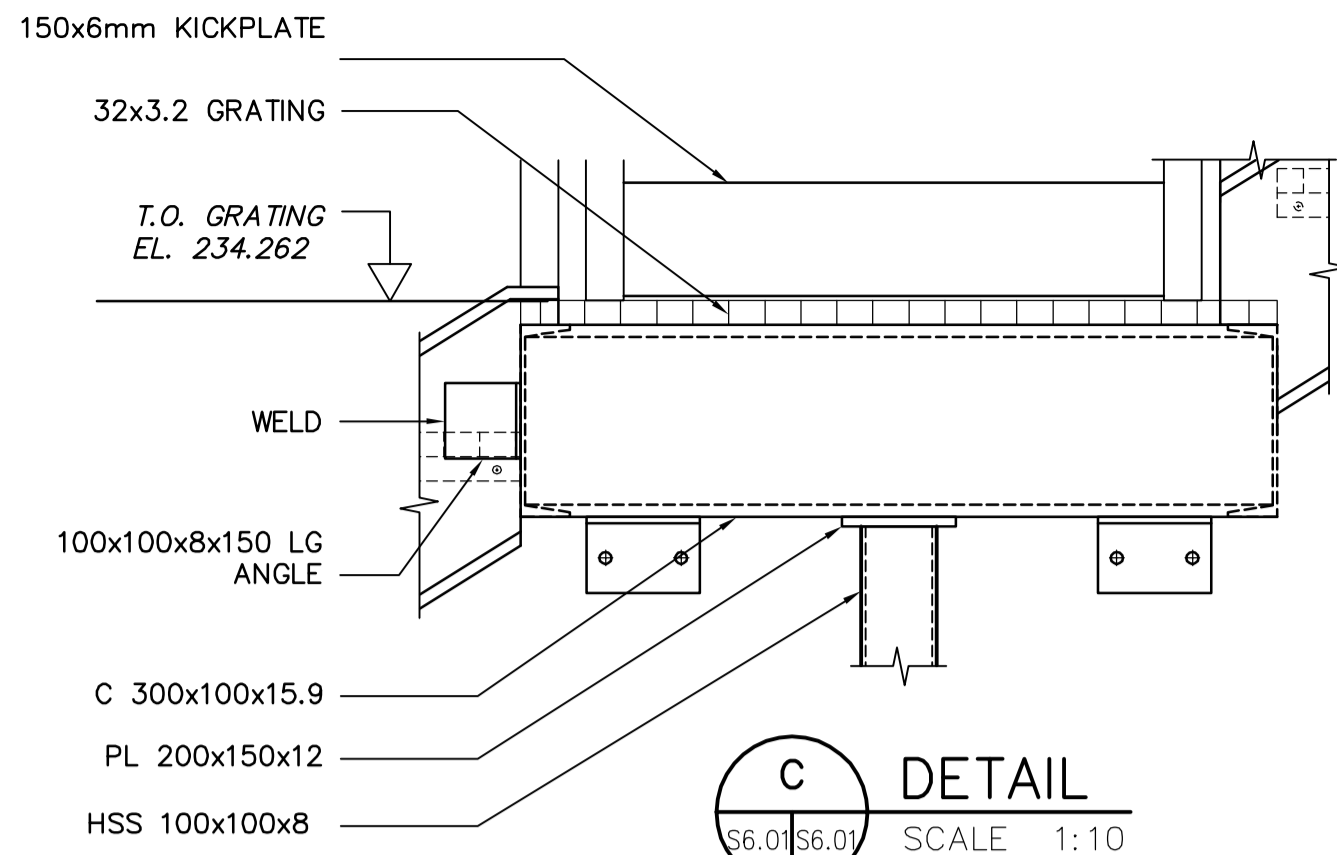


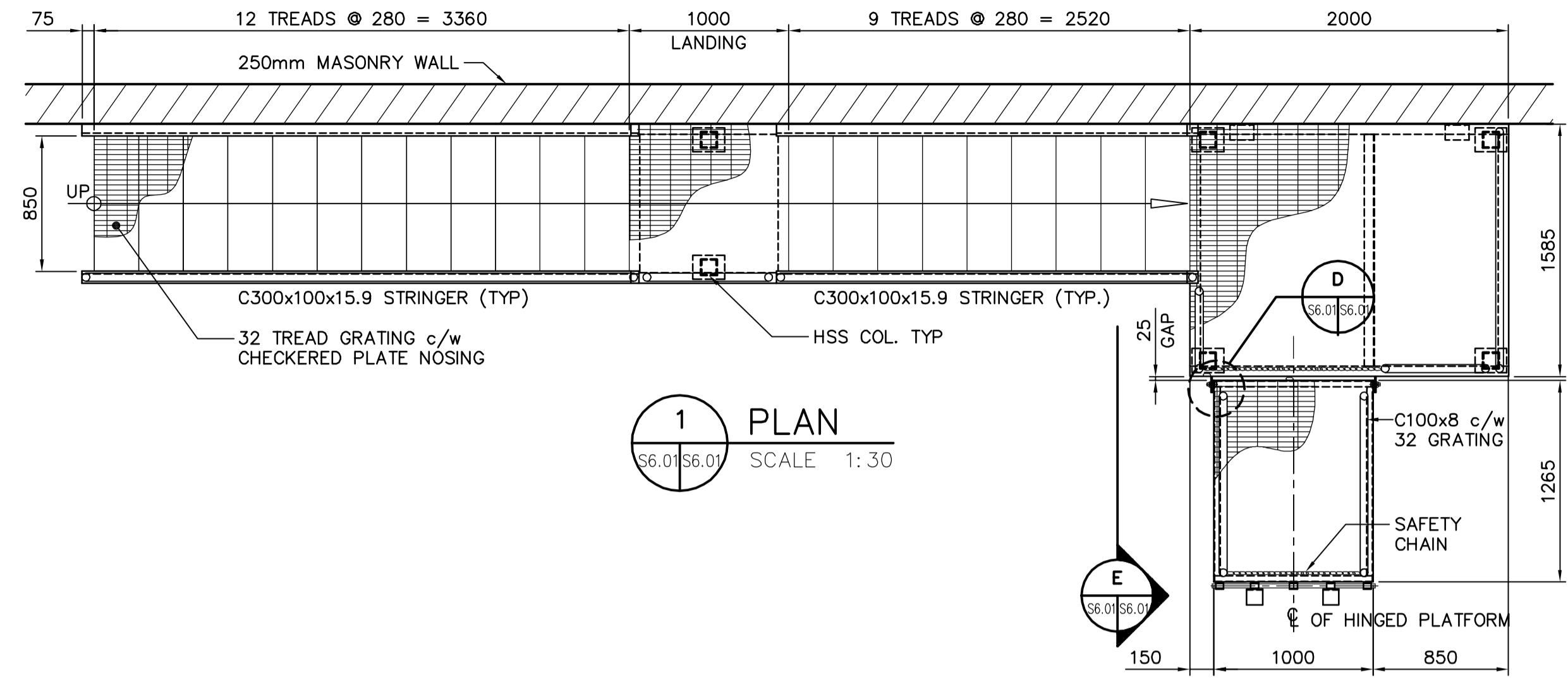
A DETAIL
SCALE 1:10



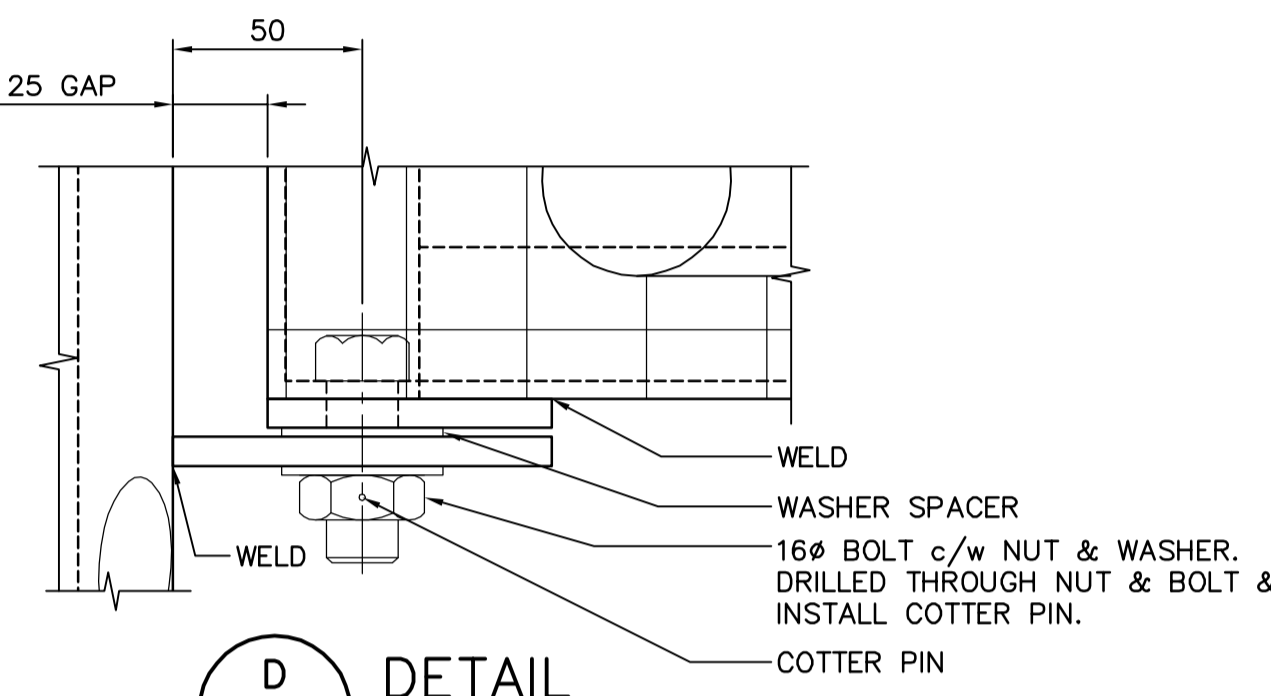
B DETAIL
SCALE 1:10



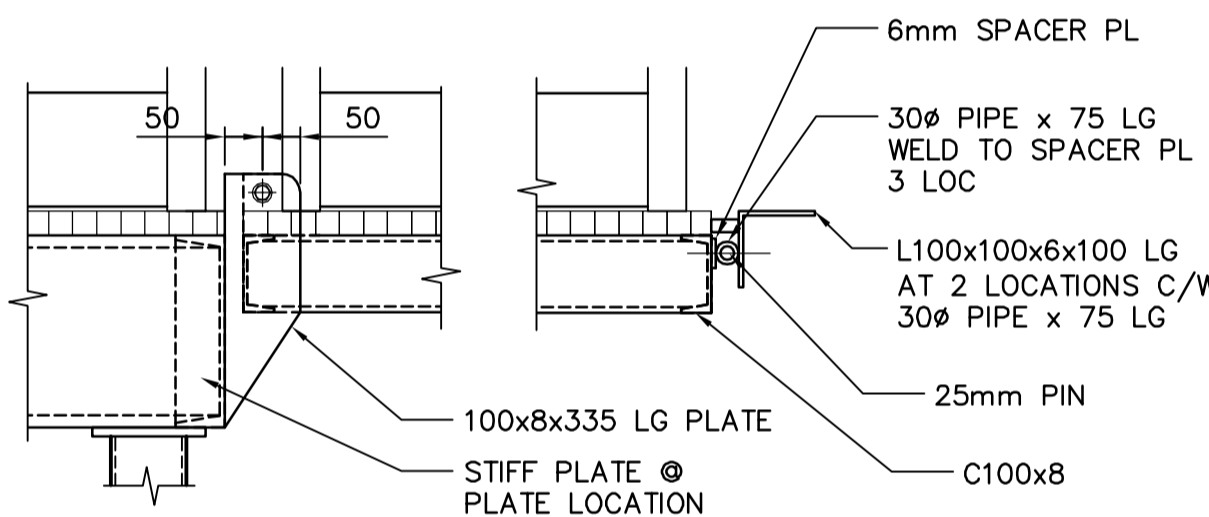
C DETAIL
SCALE 1:10



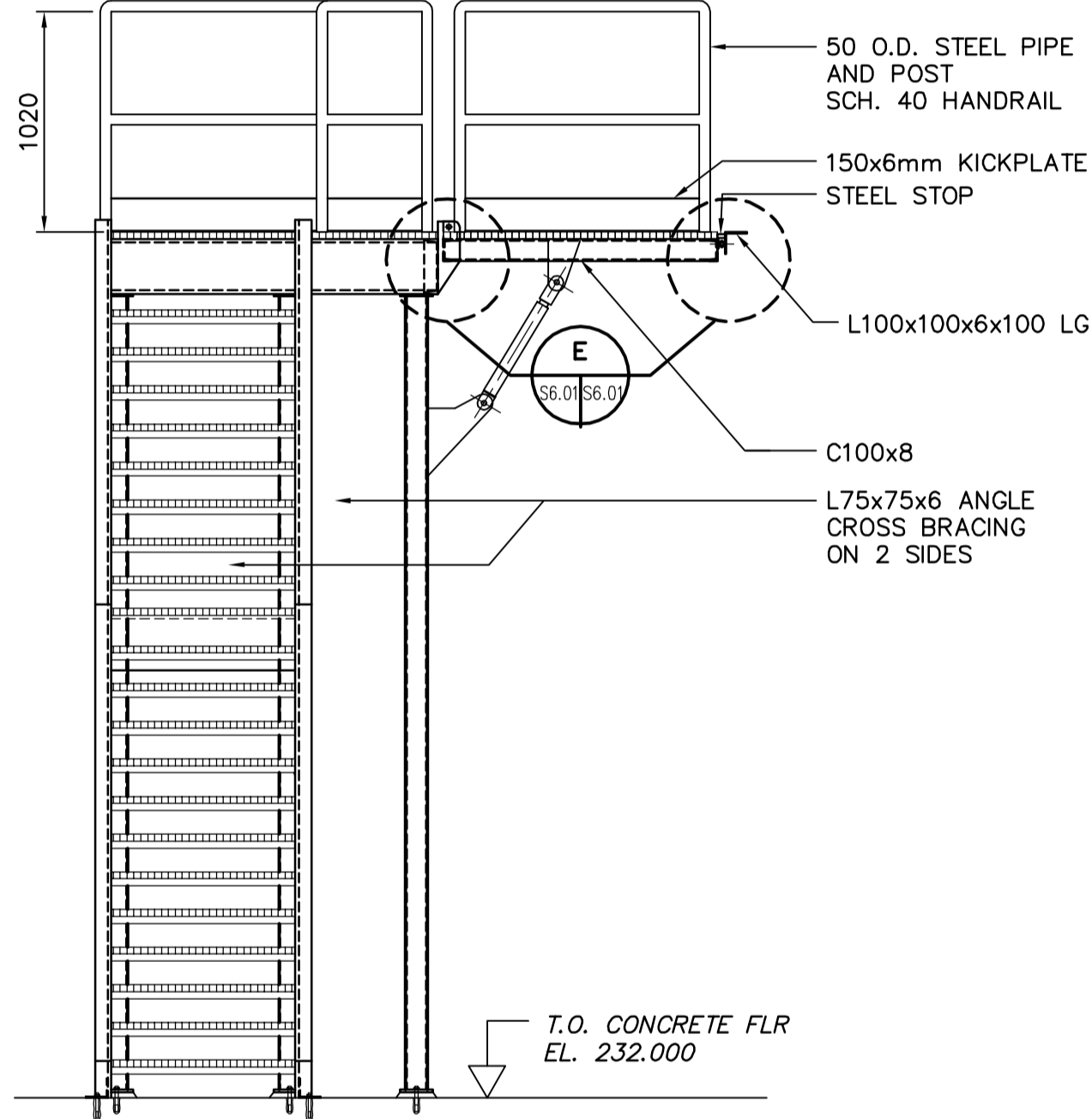
1 PLAN
SCALE 1:30



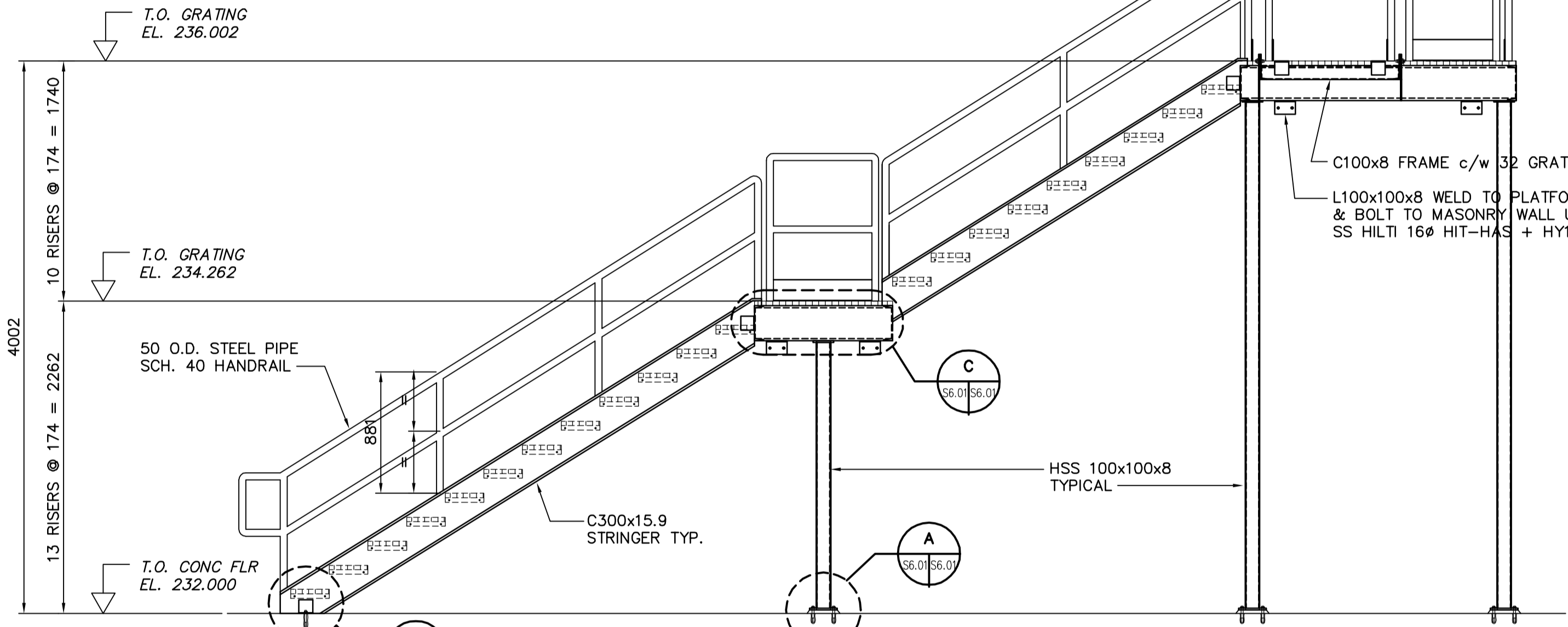
D DETAIL
SCALE 1:10



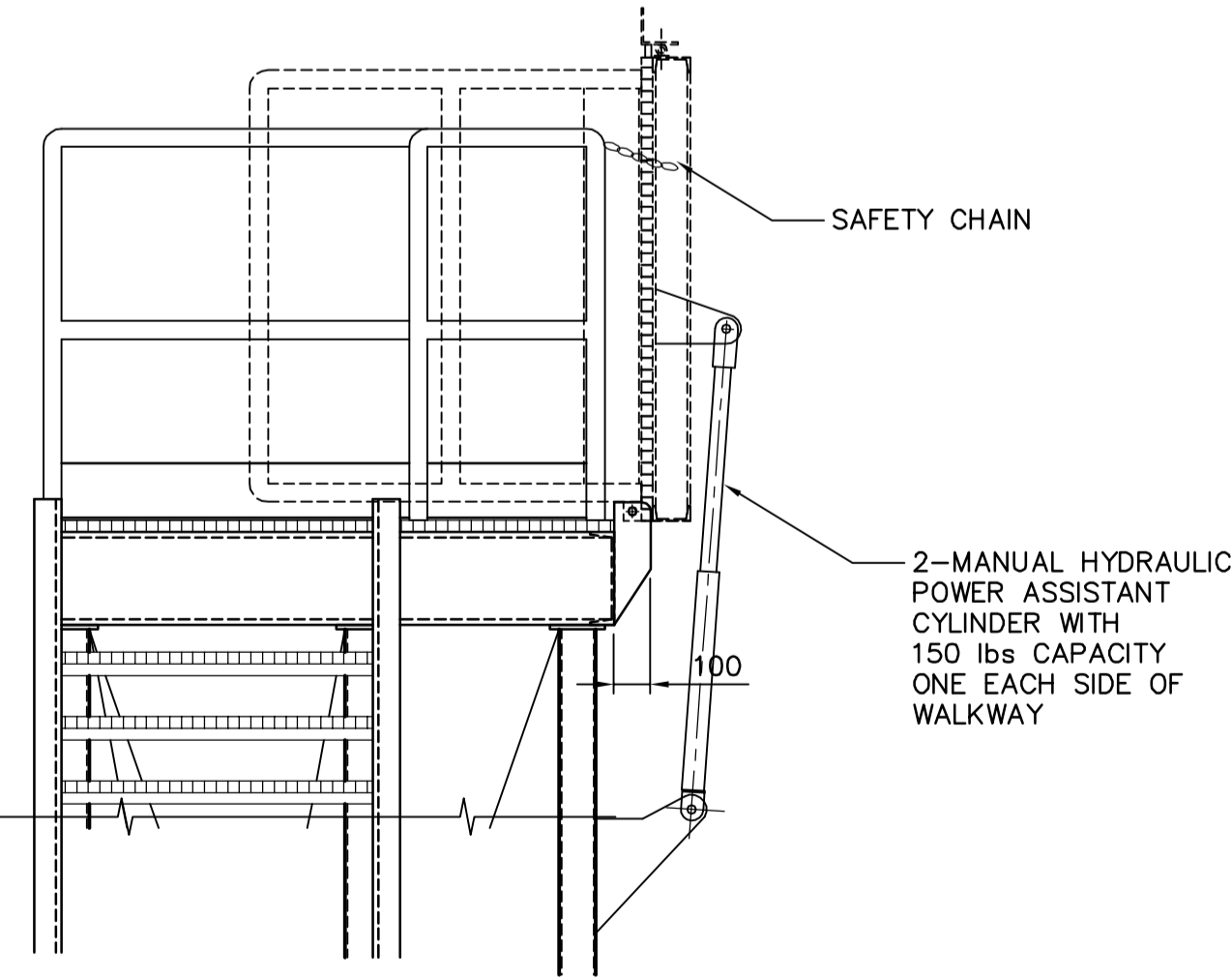
E DETAIL
SCALE 1:10



3 ELEVATION
SCALE 1:30



2 ELEVATION
SCALE 1:30



F HINGED PLATFORM IN STORED POSITION
SCALE 1:20

NOTE:
1. ALL STEEL SHOWN HERE ARE TO BE PAINTED WITH SPECIAL COATING. SEE SPECS.
2. BOLTS AND EXPANSION ANCHORS ARE ZINC PLATED TOUCHED UP BOLTS WITH SPECIAL COATING.

APEGN
Certificate of Authorization
Earth Tech Canada Inc.
No. 730 Expiry: April 30, 2006

B.M. ELEV.			
DESIGNED BY	AP / GGP	CHECKED BY	MK
DRAWN BY	WDB	APPROVED BY	D. TANIGUCHI
SCALE:	AS NOTED	RELEASED FOR CONSTRUCTION BY:	K. MARTENS
00 ISSUED FOR TENDER	05/12/2	WDB	
NO. REVISIONS	DATE	BY	DATE
			2005/09/14

EarthTech
A Tyco International Ltd. Company

ENGINEER'S SEAL
ORIGINAL SIGNED BY
M. KLASSON
2005/12/02
CONSULTANT DRAWING NO.
CS6.01

THE CITY OF WINNIPEG
WATER AND WASTE DEPARTMENT
ENGINEERING DIVISION
Winnipeg
NEWPCC CENTRATE NUTRIENT TREATMENT
PHOSPHORUS REMOVAL FACILITY
CONTRACT No. 1
CITY FILE NUMBER
SHEET OF
CITY DRAWING NUMBER
1-010F-A-80002-001-00-D
STRUCTURAL
RAILCAR SHELTER
STAIR DETAILS AND SECTION