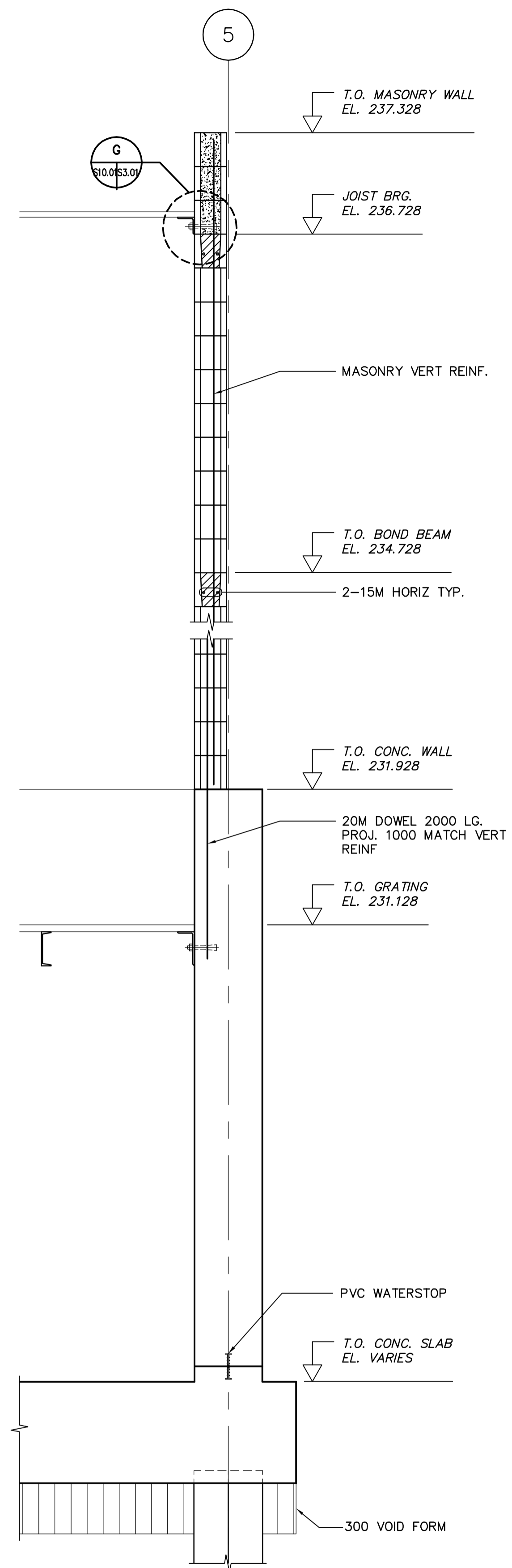
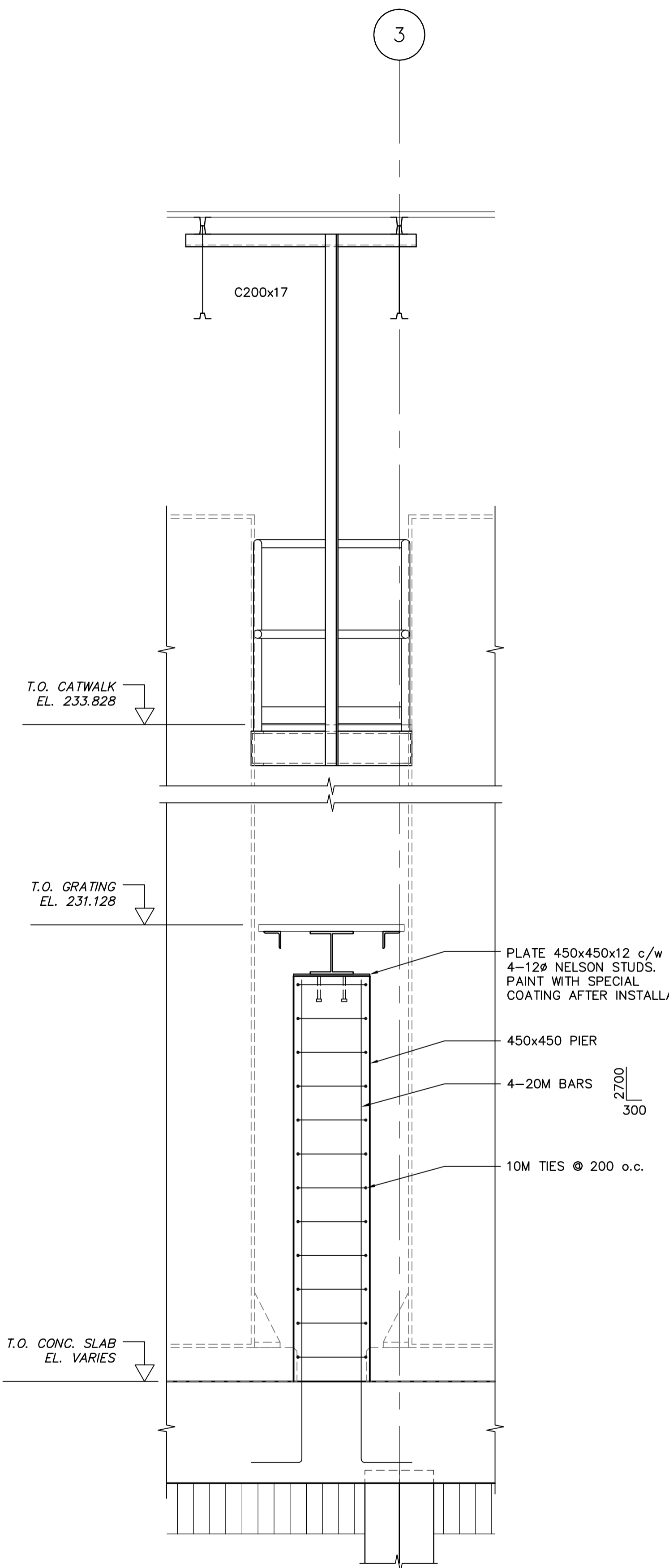


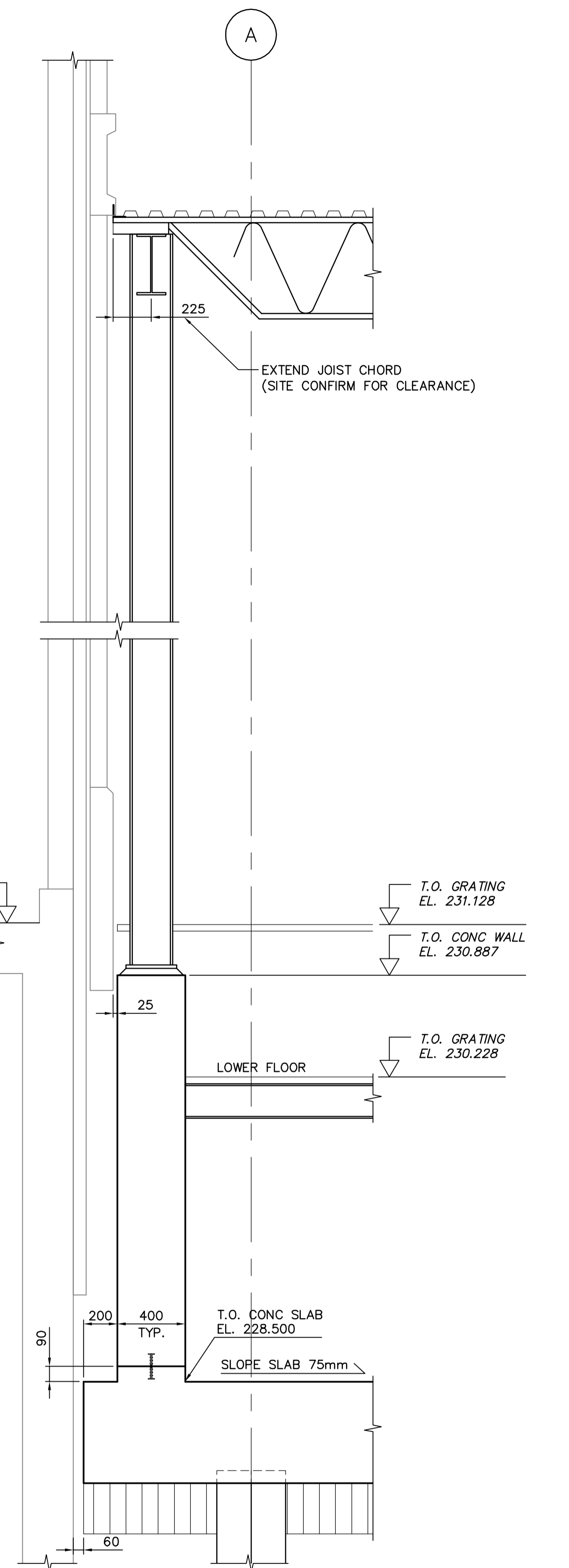
A DETAIL
SCALE 1:20



B DETAIL
SCALE 1:20



C DETAIL
SCALE 1:20



D DETAIL
SCALE 1:20



B.M. ELEV.			
DESIGNED BY	AP/GGP	CHECKED BY	MK
DRAWN BY	CT	APPROVED BY	D. TANIGUCHI
SCALE:	AS NOTED	RELEASED FOR CONSTRUCTION BY:	K. MARTENS
NO.	ISSUED FOR TENDER	DATE	05/12/2
REVISIONS		DATE	2005/10/21
		BY	WDB

EarthTech
A Tyco International Ltd. Company

ENGINEER'S SEAL

ORIGINAL SIGNED BY
M. KLASSON
2005/12/02

CONSULTANT DRAWING NO.
CS10.01

THE CITY OF WINNIPEG
WATER AND WASTE DEPARTMENT
ENGINEERING DIVISION

NEWPCC CENTRATE NUTRIENT TREATMENT
PHOSPHORUS REMOVAL FACILITY
CONTRACT No. 1

STRUCTURAL
CHEMICAL STORAGE BUILDING
SECTIONS AND DETAILS

CITY FILE NUMBER
SHEET OF
CITY DRAWING NUMBER
1-00F-A-80005-001-00-D