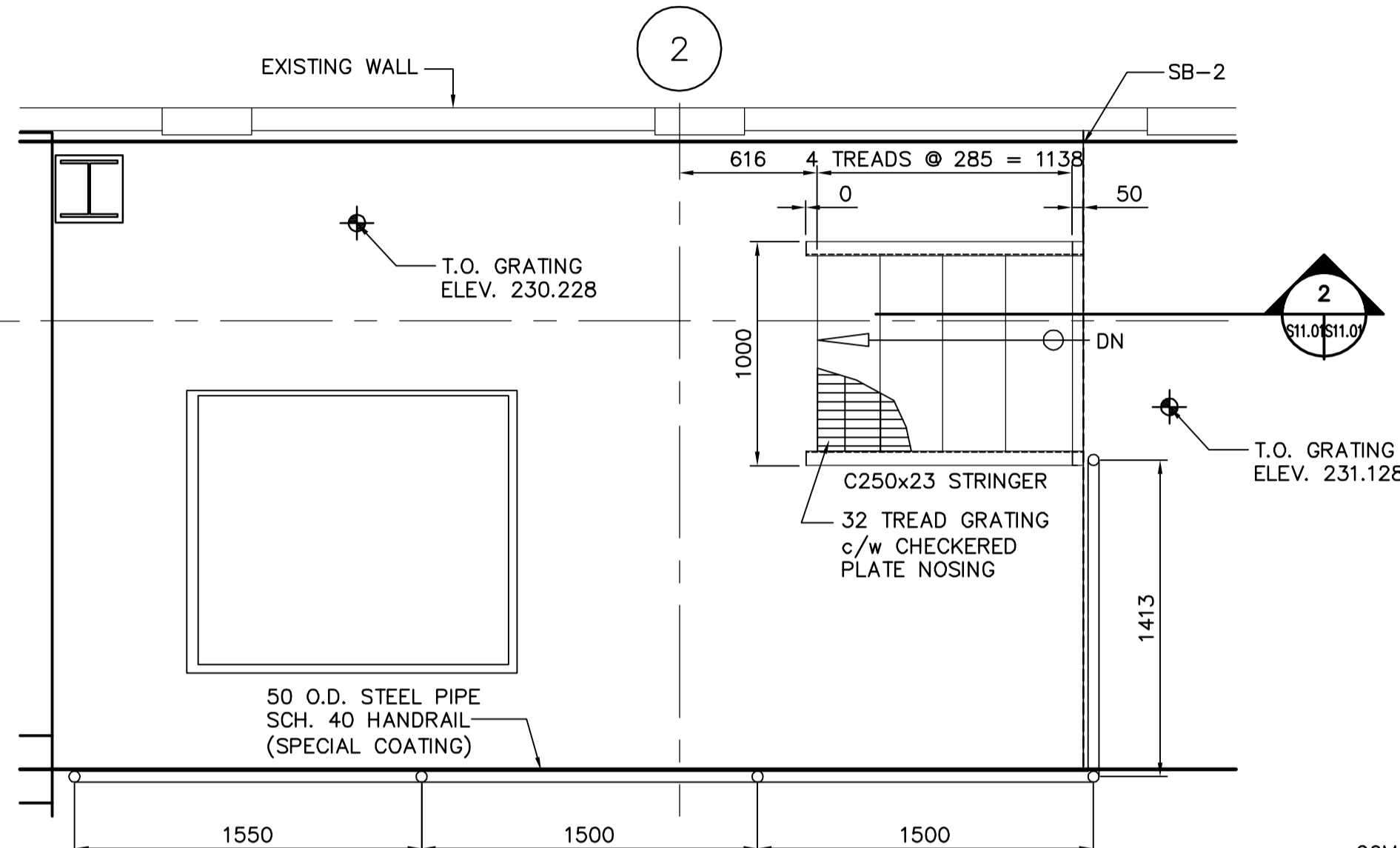
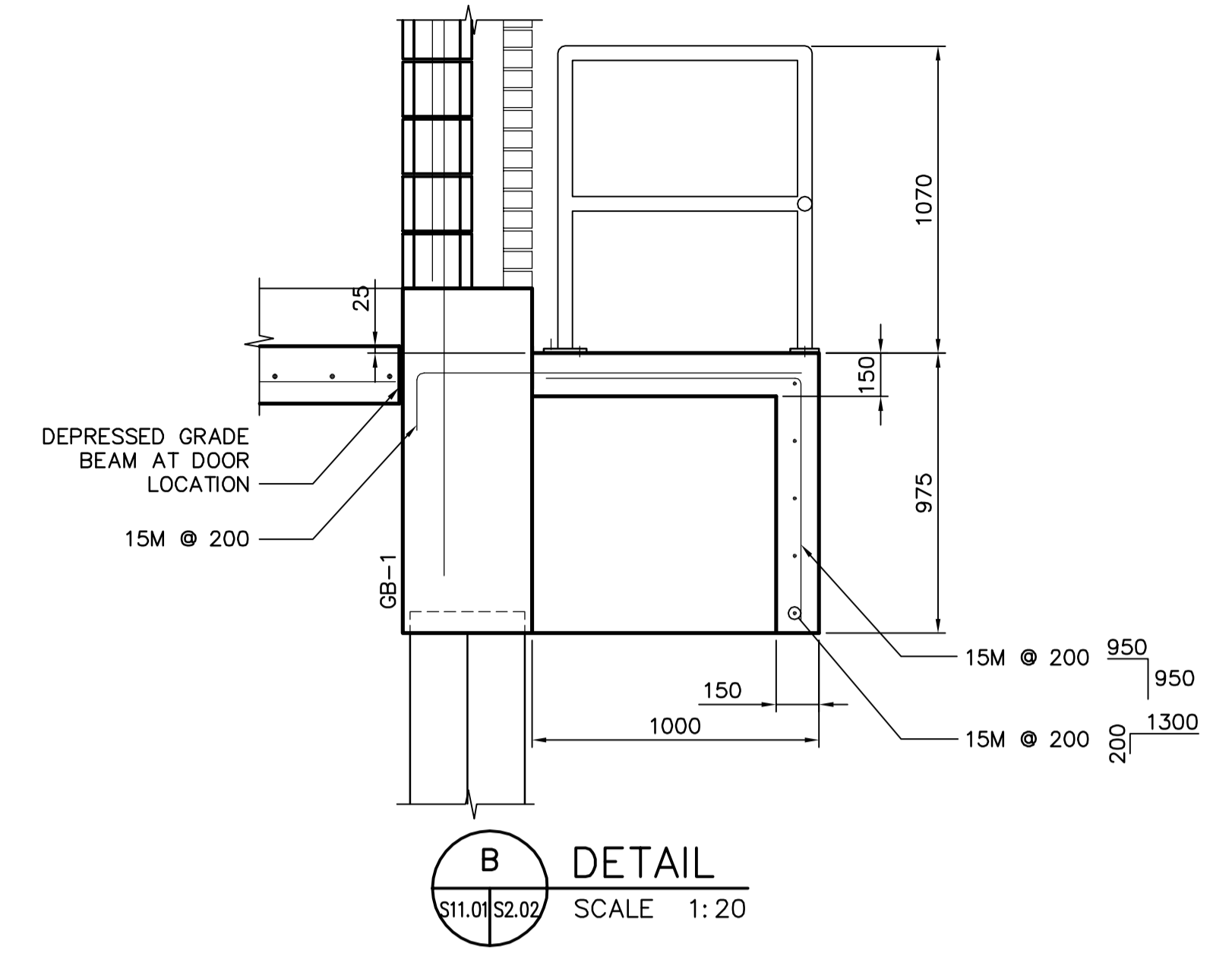


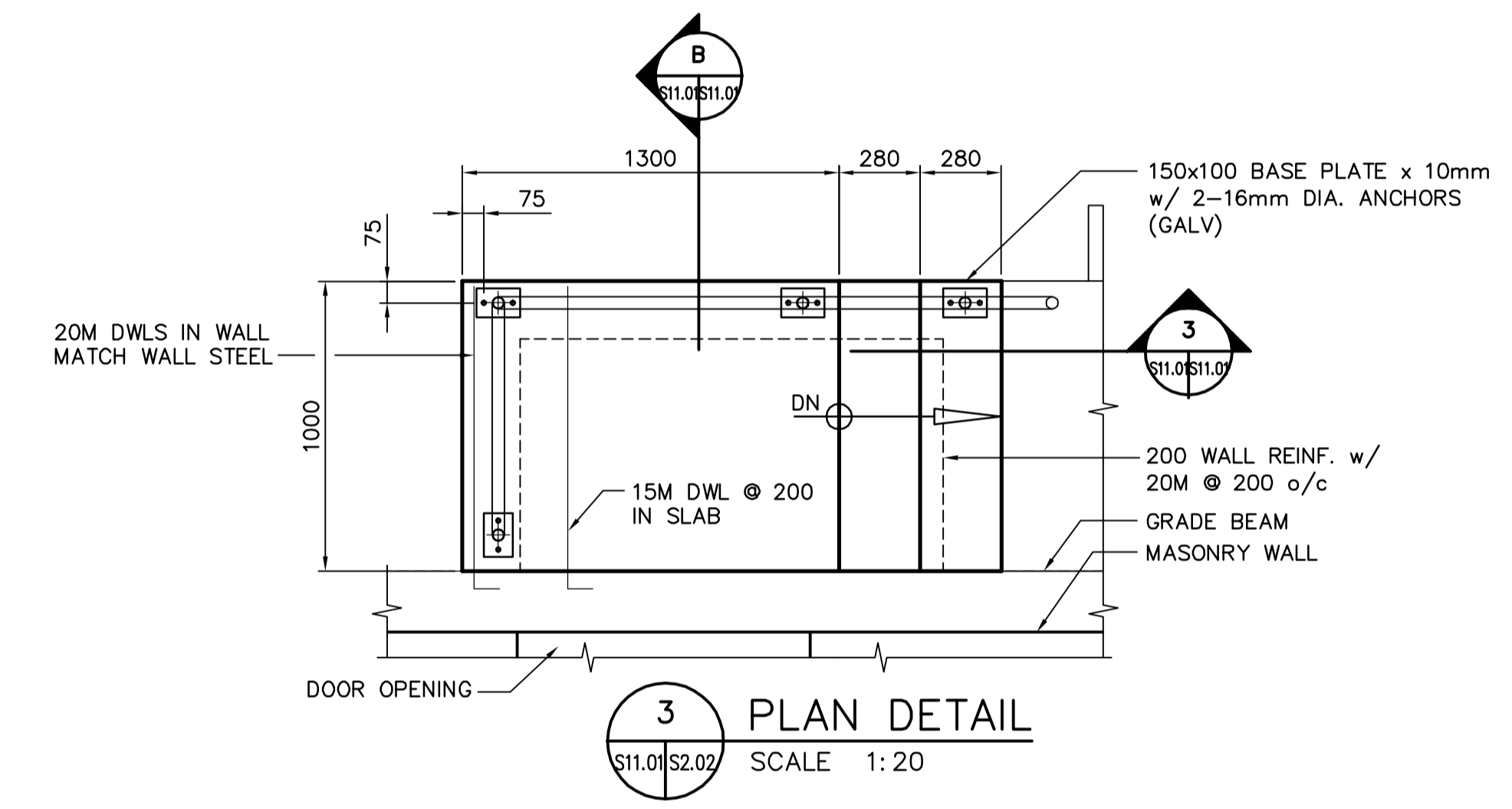
1 PARTIAL PLAN
SCALE 1:20



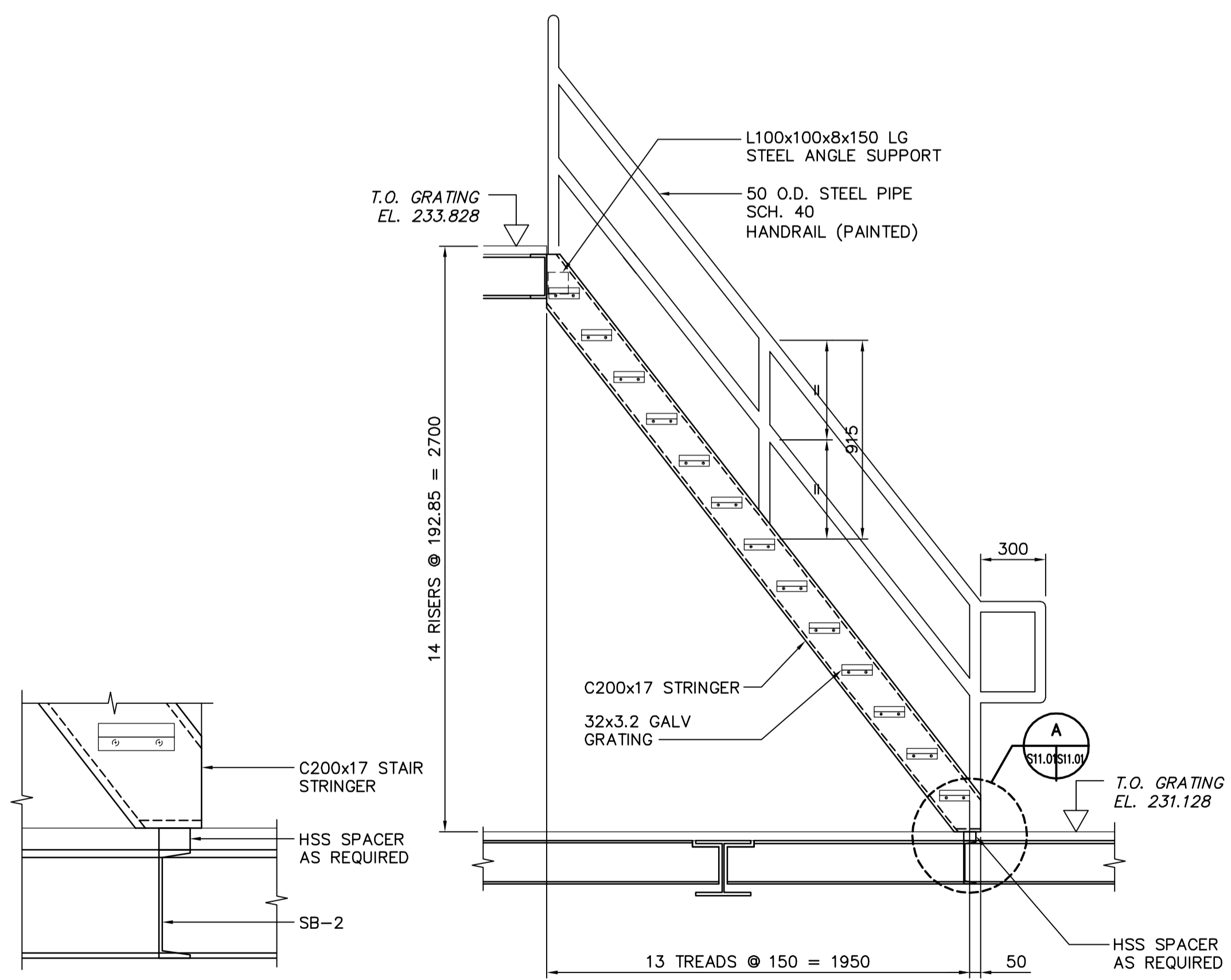
2 PARTIAL PLAN
SCALE 1:25



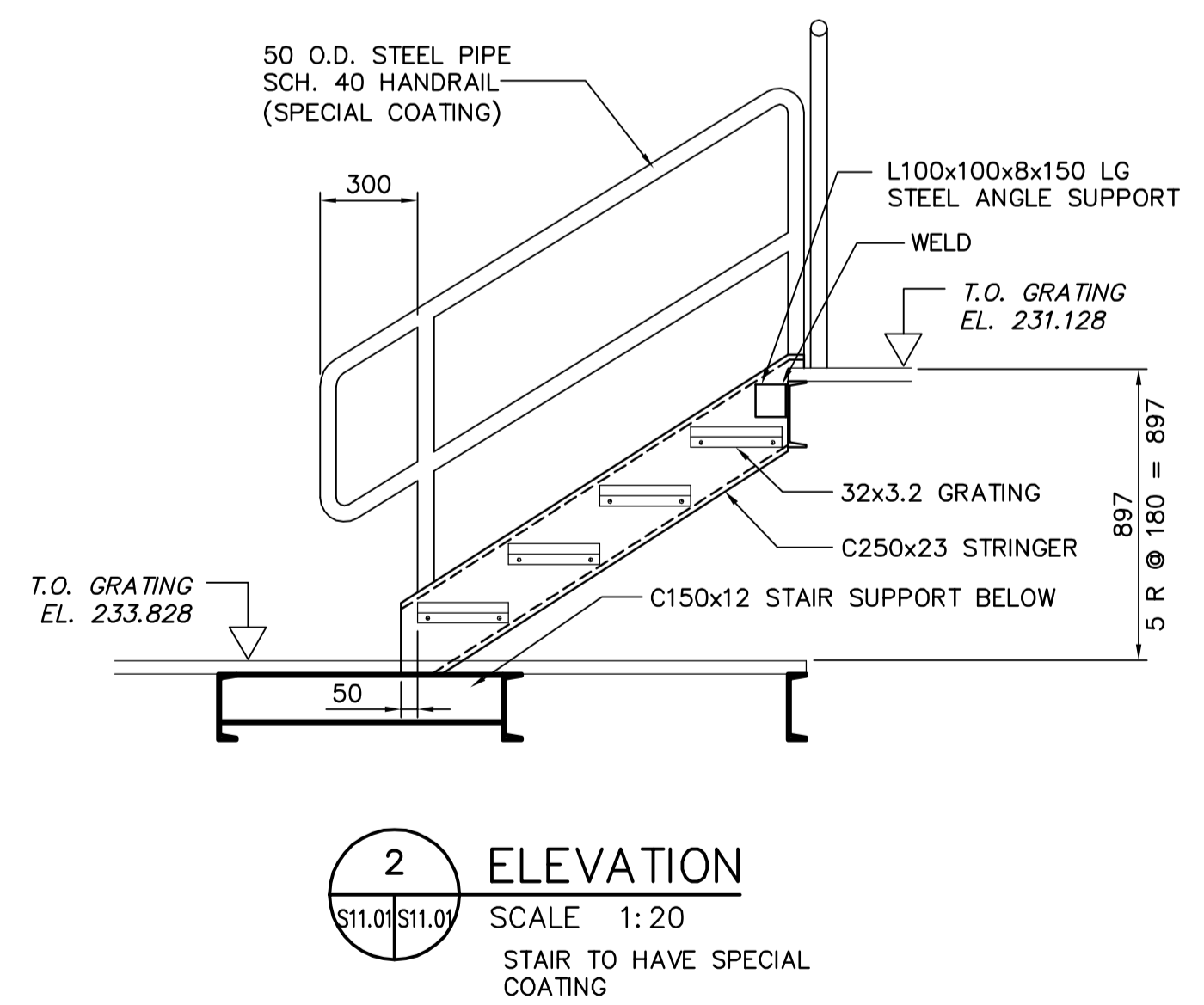
B DETAIL
SCALE 1:20



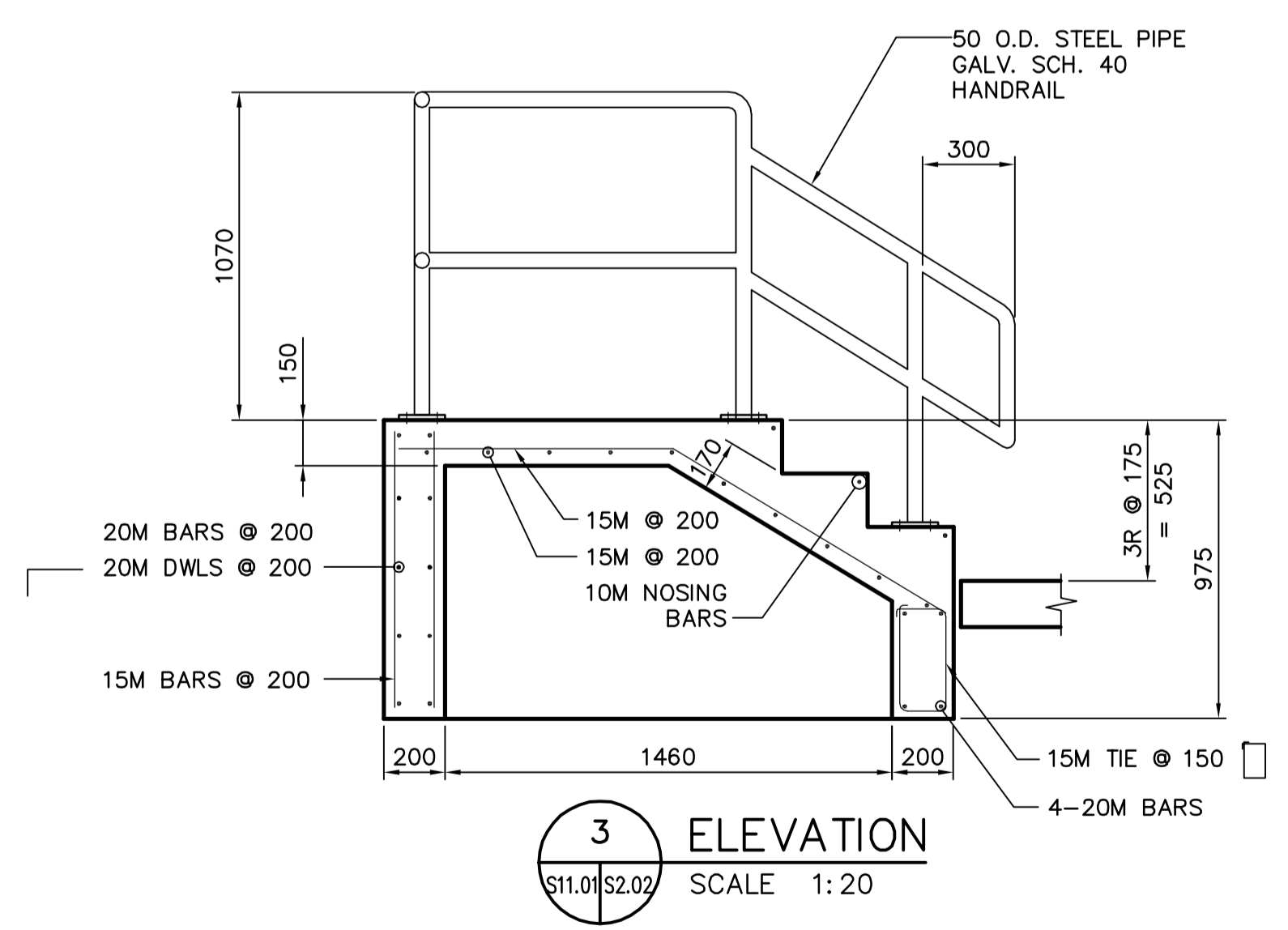
3 PLAN DETAIL
SCALE 1:20



1 ELEVATION
SCALE 1:20
PAINTED LADDER



2 ELEVATION
SCALE 1:20
STAIR TO HAVE SPECIAL COATING



3 ELEVATION
SCALE 1:20

A DETAIL
SCALE N.T.S.



B.M. ELEV.			
DESIGNED BY	AP / GGP	CHECKED BY	MK
DRAWN BY	WDB	APPROVED BY	D. TANIGUCHI
SCALE:	AS NOTED	RELEASED FOR CONSTRUCTION BY:	K. MARTENS
NO. ISSUED FOR TENDER	05/12/02	CT	
NO. REVISIONS	DATE	BY	DATE
	2005/10/21		05/12/02

EarthTech
A Tyco International Ltd. Company

ENGINEER'S SEAL
ORIGINAL SIGNED BY
M. KLASSON
2005/12/02
CONSULTANT DRAWING NO.
CS11.01

THE CITY OF WINNIPEG
WATER AND WASTE DEPARTMENT
ENGINEERING DIVISION

NEWPCC CENTRATE NUTRIENT TREATMENT
PHOSPHORUS REMOVAL FACILITY
CONTRACT No. 1

STRUCTURAL
CHEMICAL STORAGE BUILDING
STAIRS AND DETAILS

CITY FILE NUMBER
SHEET OF
CITY DRAWING NUMBER
1-00F-A-80009-001-00-D