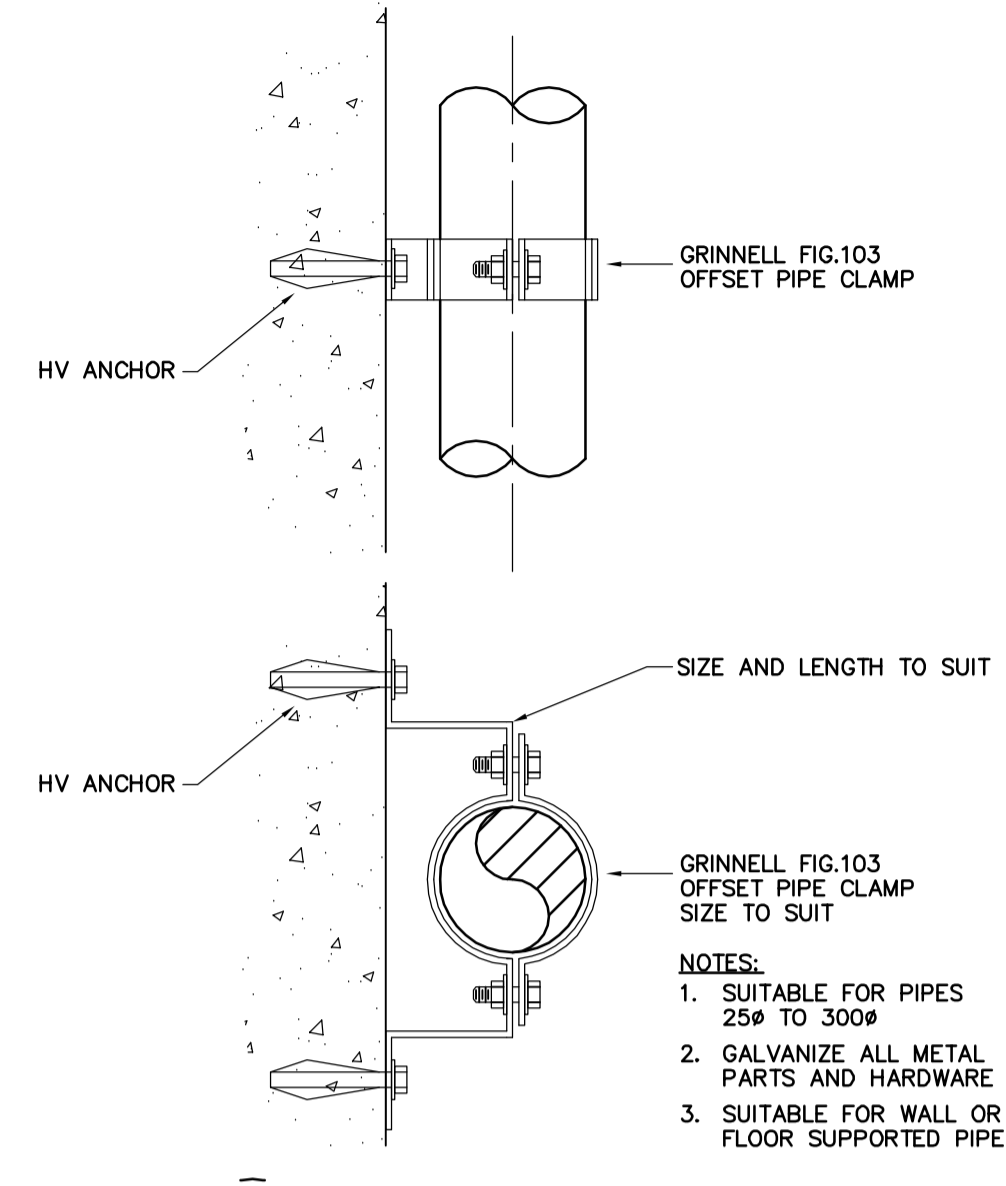


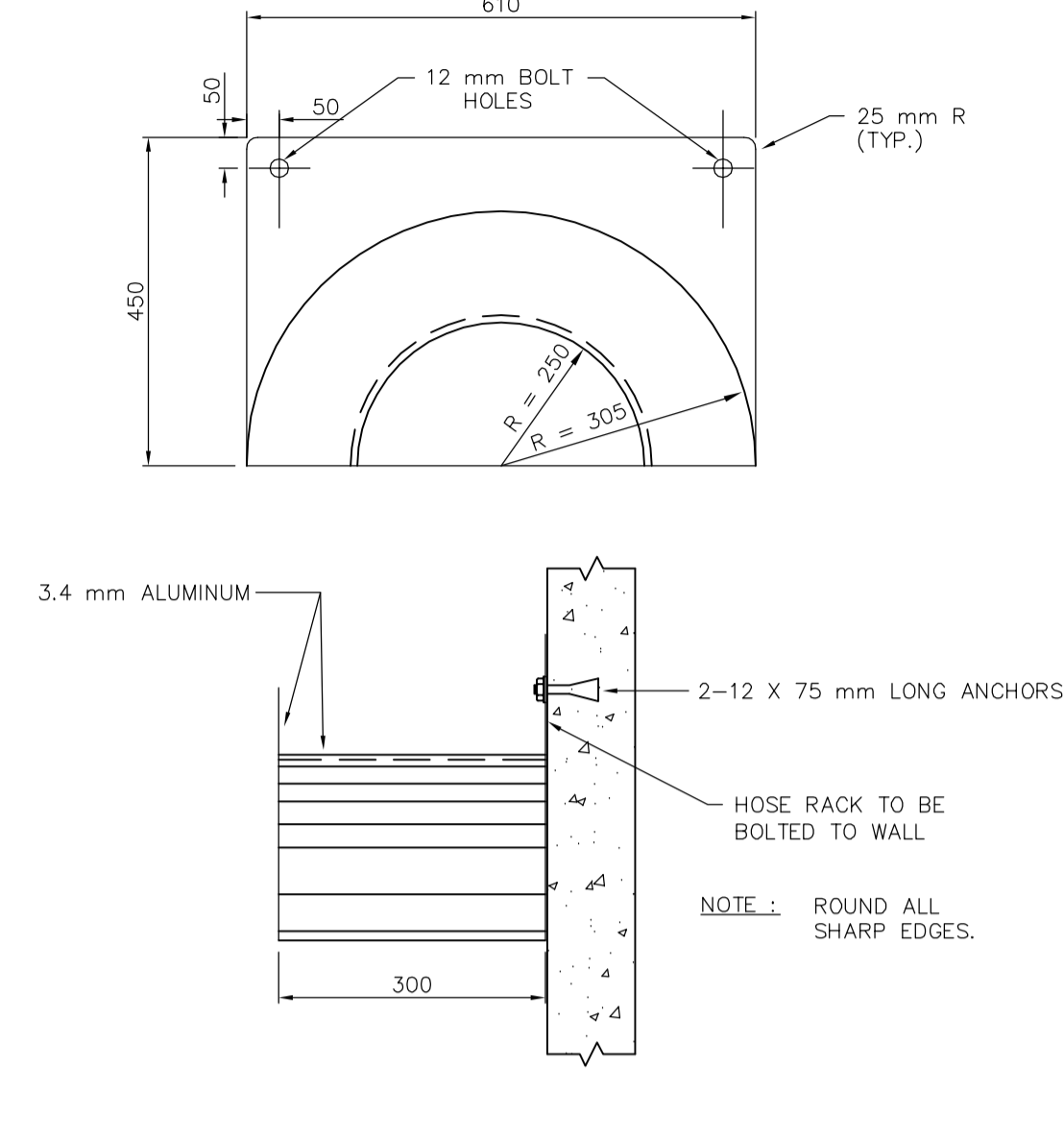
STD
217

PIPE HANGER



STD
218

OFFSET PIPE SUPPORT



STD
601A

HOSE RACK



NO.	REVISIONS	DATE	BY
00	ISSUED FOR TENDER	05/12/2	GLG



DESIGNED BY	LW/SB	CHECKED BY	JEH
DRAWN BY	PJY	APPROVED BY	D. TANIGUCHI
SCALE:	N.T.S.	RELEASED FOR CONSTRUCTION BY:	K. MARTENS
DATE	2005/09/	DATE	05/12/02

ENGINEER'S SEAL	ORIGINAL SIGNED BY	J.E. HUTCHISON
	DATE	2005/12/02
CONSULTANT DRAWING NO.	CP1.02	

THE CITY OF WINNIPEG
WATER AND WASTE DEPARTMENT
ENGINEERING DIVISION

NEWPCC CENTRATE NUTRIENT TREATMENT PHOSPHORUS REMOVAL FACILITY
CONTRACT No. 1

PROCESS STANDARD DETAILS
SHEET 2 OF 2

CITY FILE NUMBER
SHEET OF
CITY DRAWING NUMBER
1-010F-D-P0002-001-00-D