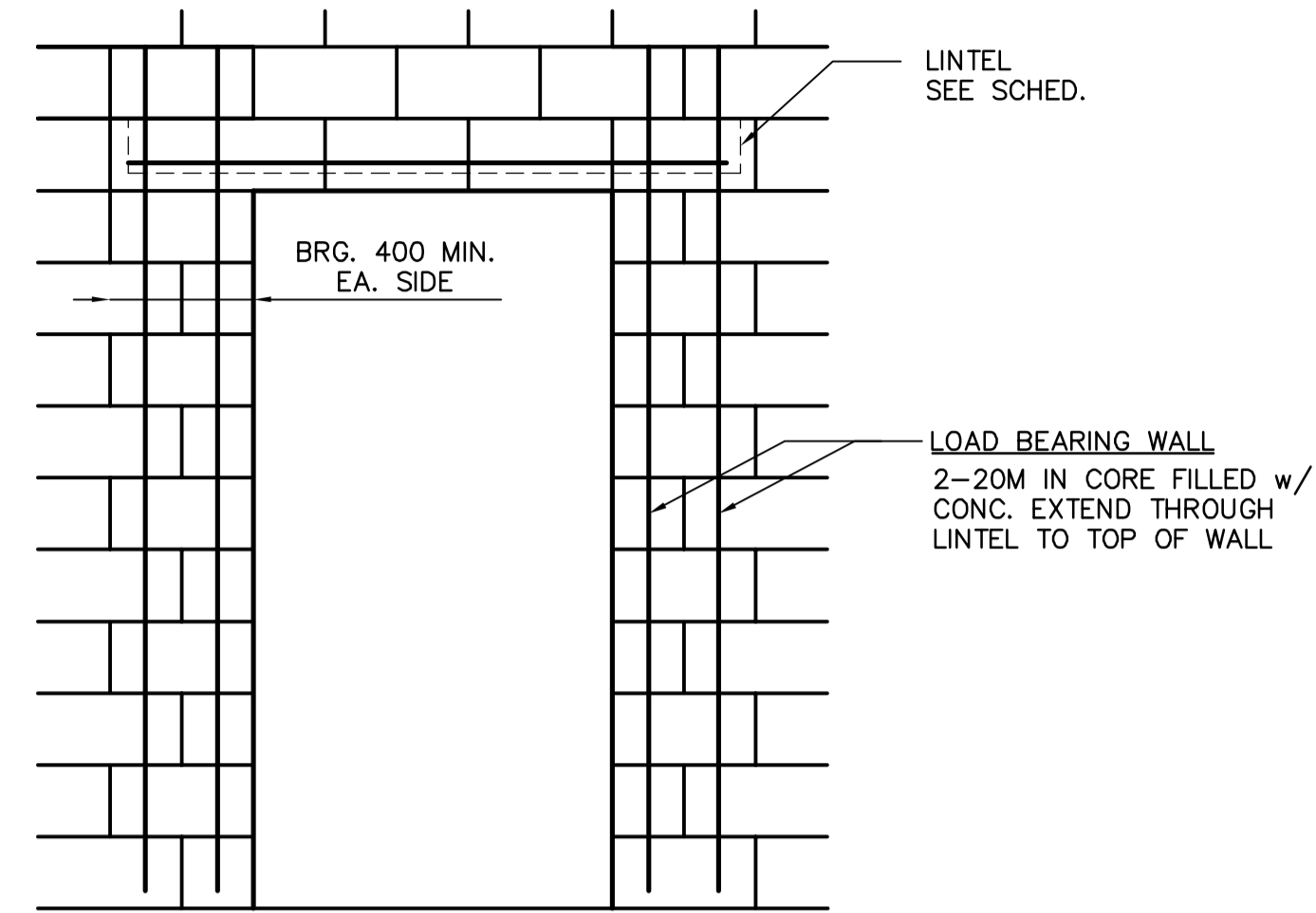
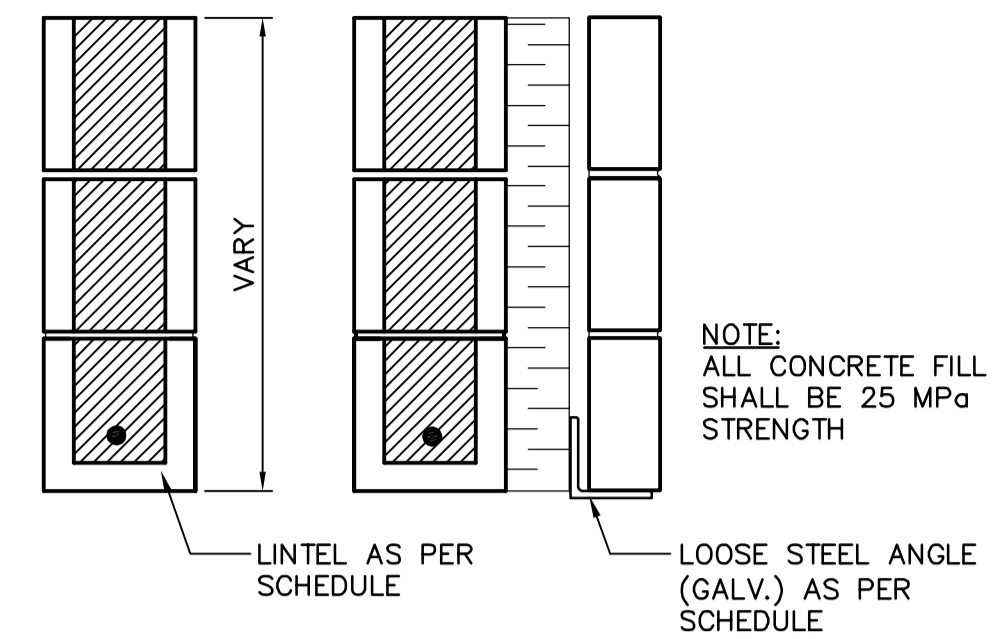


A OWSJ TO MASONRY CONNECTION
SCALE 1:10



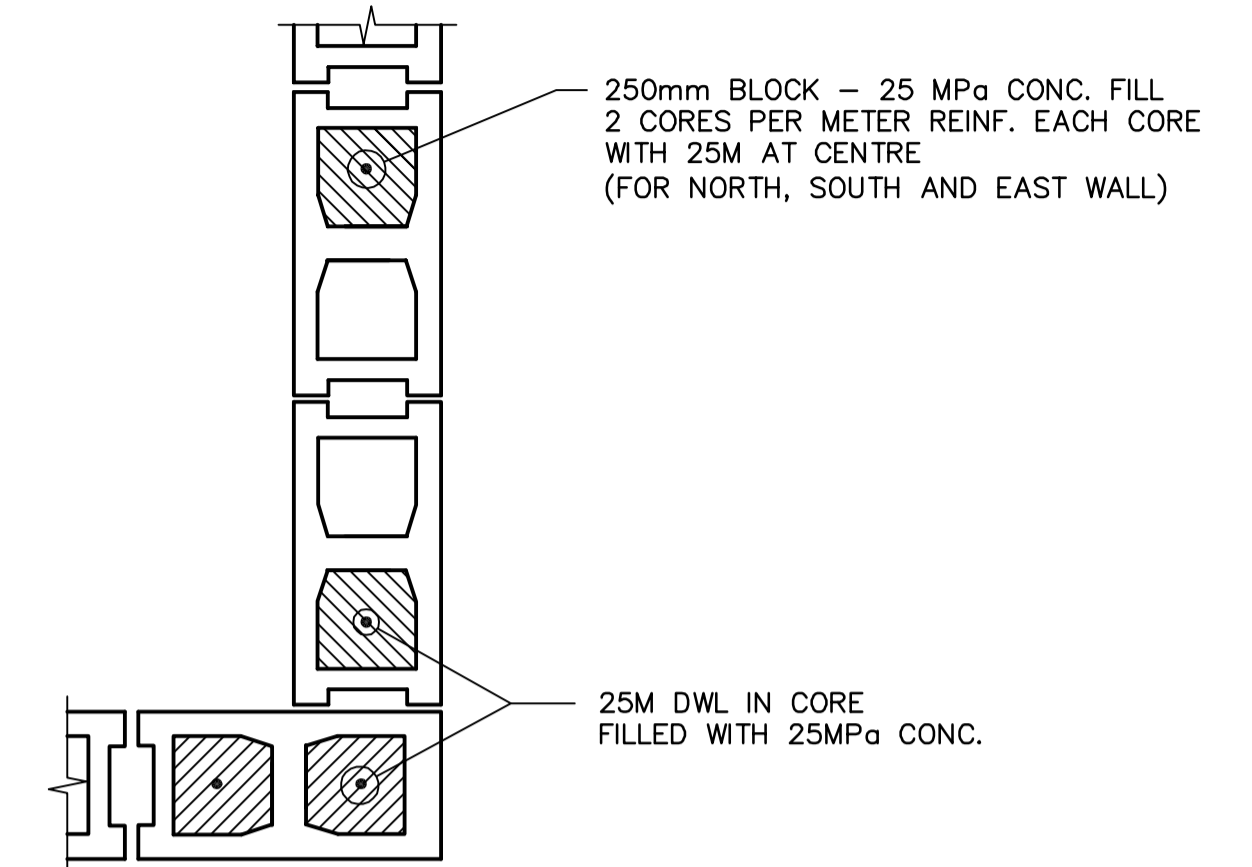
B TYP BRG FOR CONC BLK LINTELS
SCALE N.T.S.



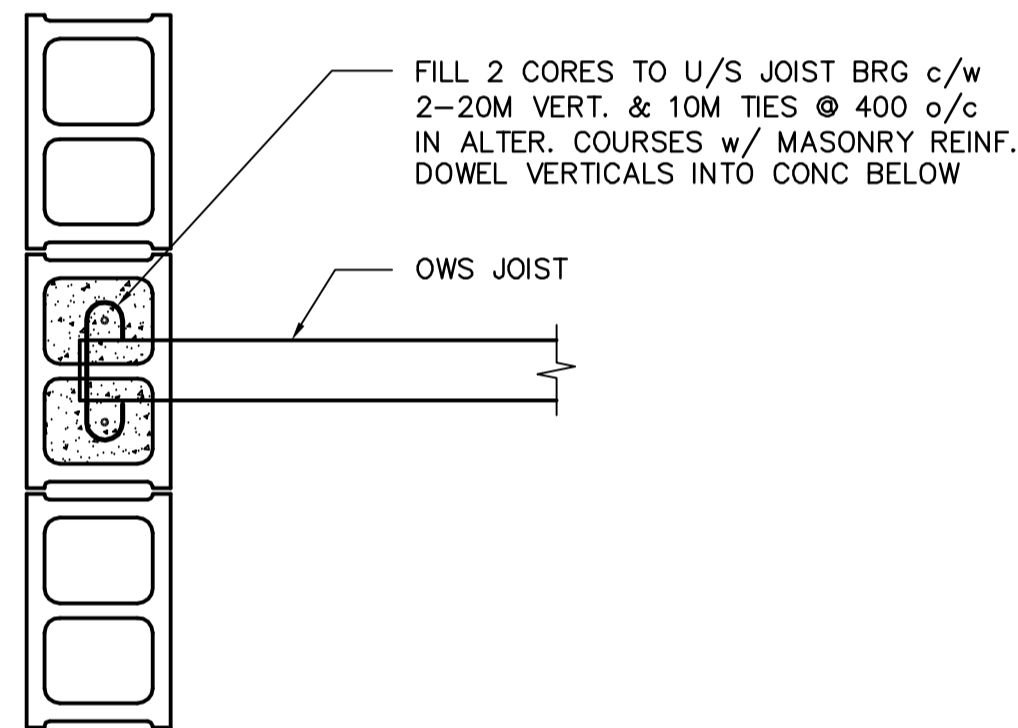
TYPICAL LINTEL DETAILS

BLOCK SIZE	OPENING	FACE BRICK SUPPORT	LOAD BEARING CONCRETE BLOCK
200	1200 TO 2000	L 100x90x13	600 HIGH r/w 1-15M BOT.
250	1200 TO 2000	L 125x90x13	600 HIGH c/w 1-20M BOT.
200	UP TO 1200	L 100x90x13	BOND BEAM OVER

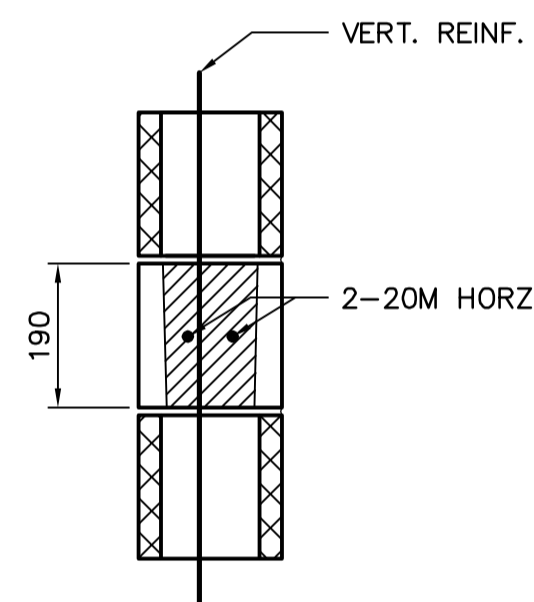
C TYPICAL LINTEL DETAILS
SCALE N.T.S.



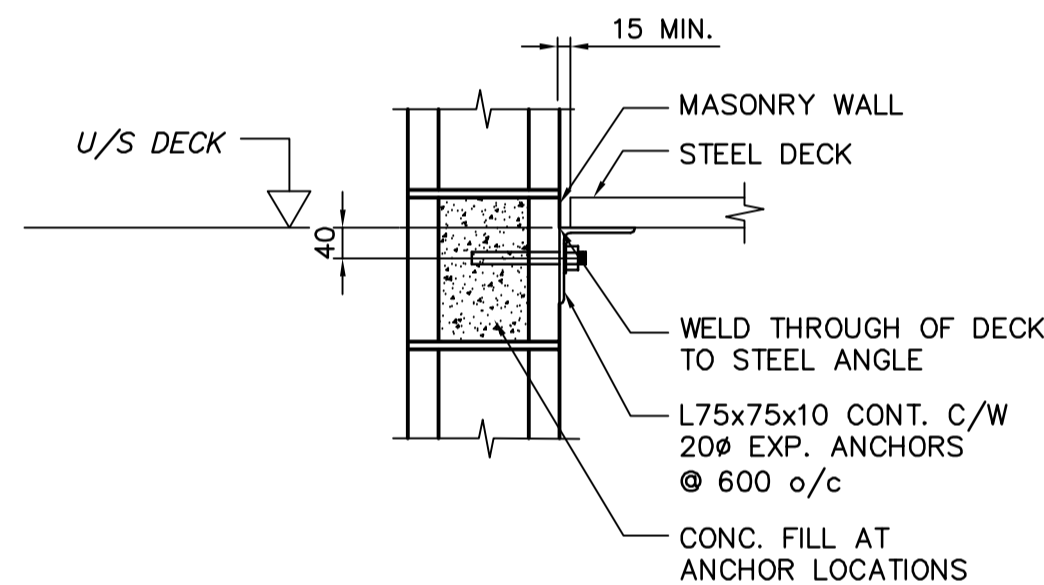
D TYP VERT REINFORCING DETAIL
SCALE N.T.S.



E TYPICAL MASONRY REINFORCING UNDER JOIST BEARING PLAN VIEW
SCALE N.T.S.

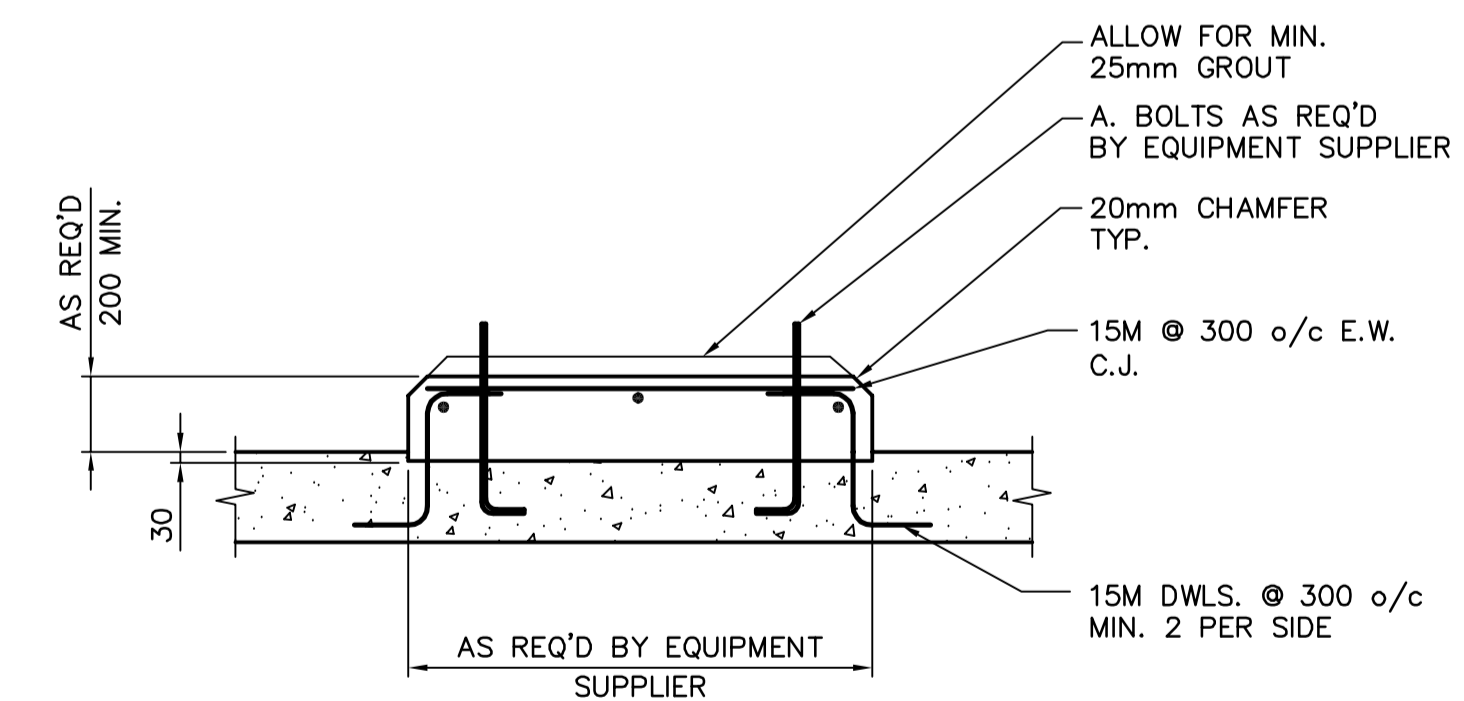
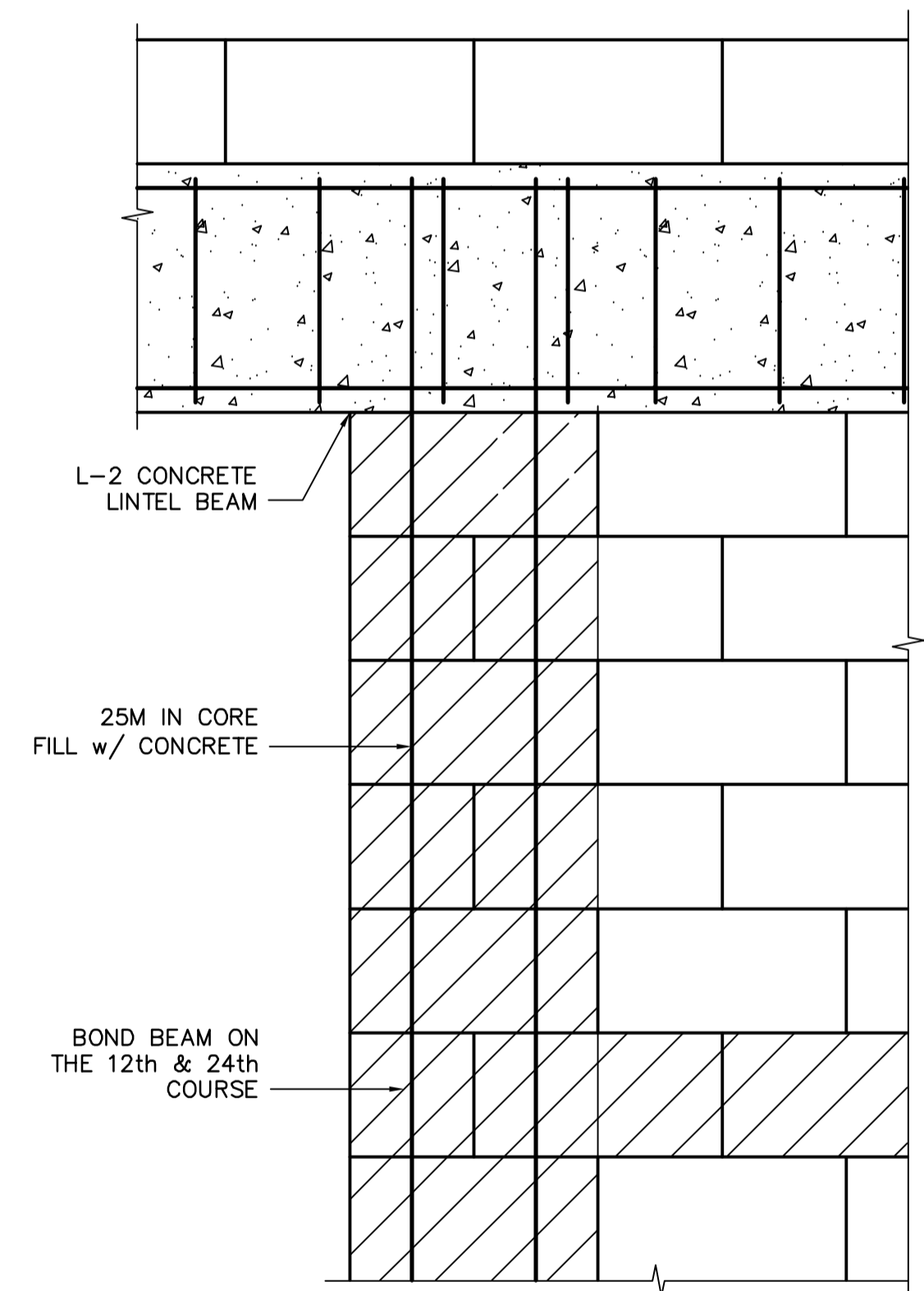


F TYPICAL BOND BEAM USING K.O. BLOCK
SCALE N.T.S.



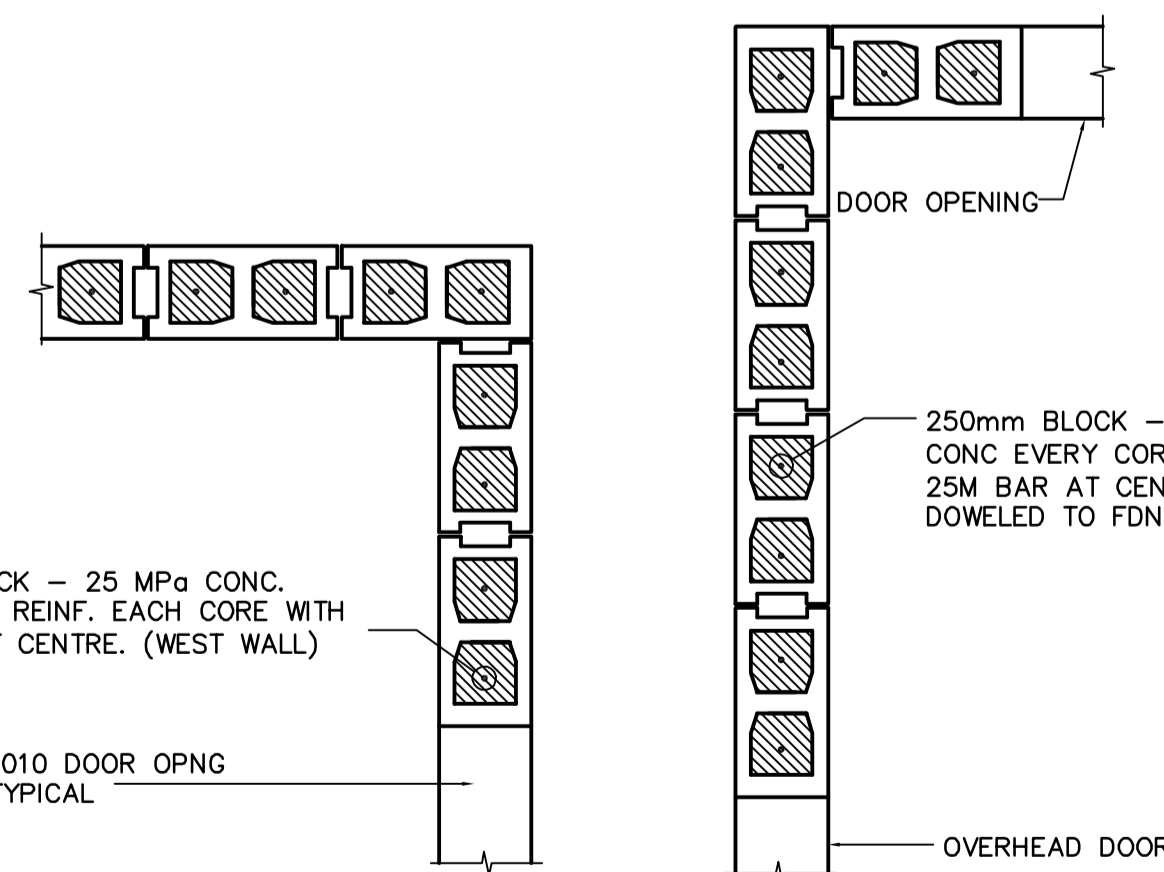
G TYP. STEEL DECK SUPPORT AT MASONRY WALL
SCALE N.T.S.

NOTE: ALL PARAPET MASONRY MUST BE CONCRETE FILLED

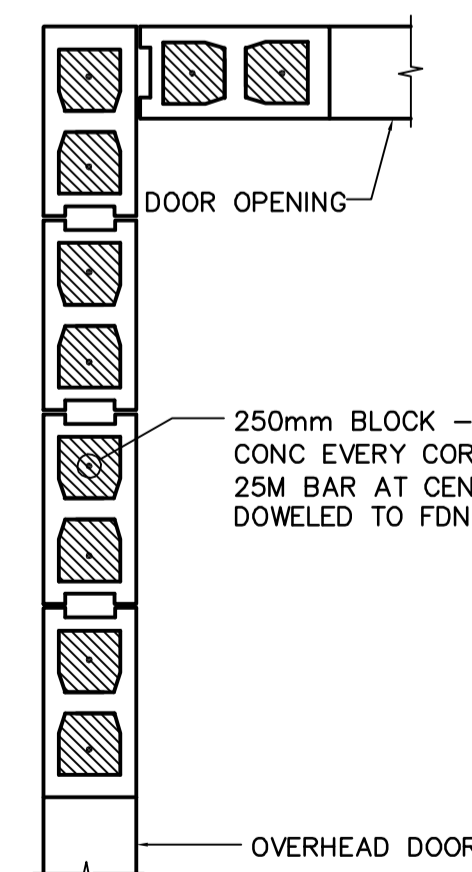


L HOUSE KEEPING PADS FOR EQUIPMENT ON STRUCTURAL SLAB
SCALE N.T.S.

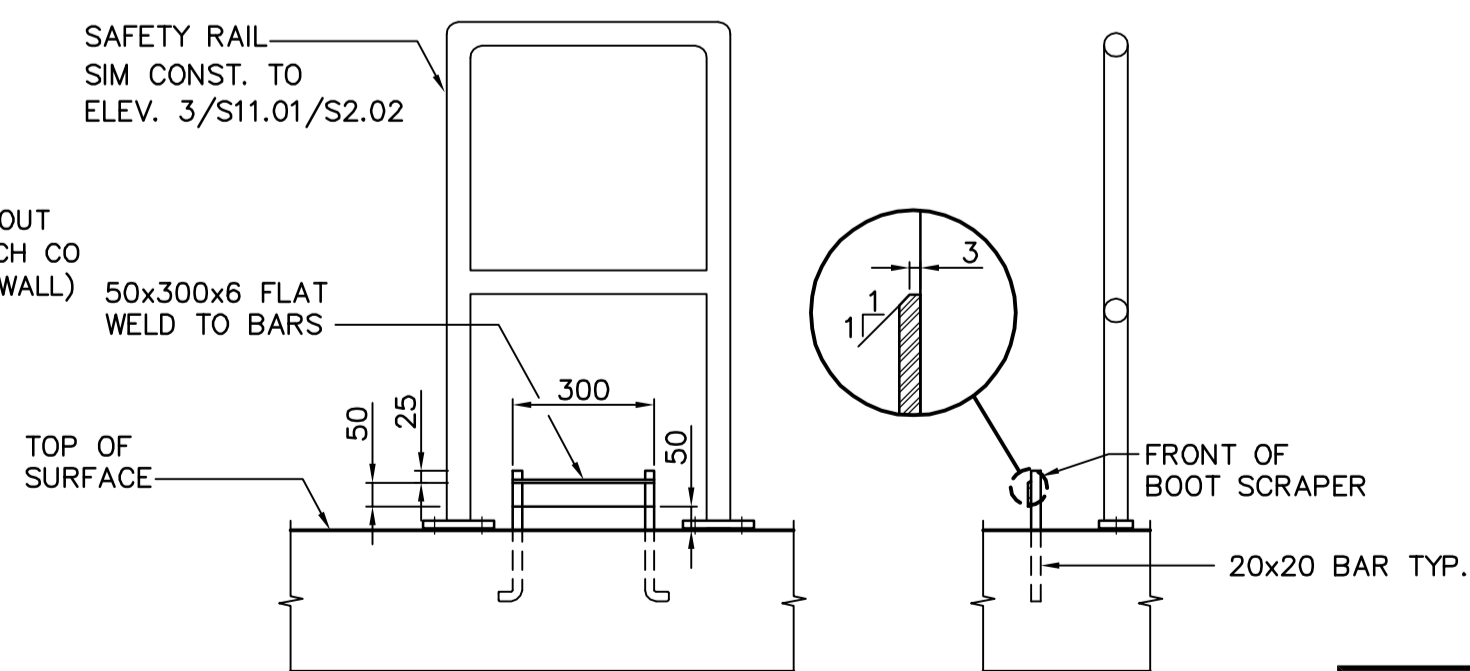
3 SECTION
SCALE 1:10



H PLAN DETAIL
SCALE N.T.S.



J PLAN DETAIL
SCALE N.T.S.



K BOOT SCRAPER
SCALE N.T.S.

APECA
Certificate of Authorization
Earth Tech Canada Inc.
No. 730 Expiry: April 30, 2006

NO.	ISSUED FOR TENDER	DATE	BY
00	ISSUED FOR TENDER	05/12/2	WDB
01	REVISIONS	DATE	BY

EarthTech
A Tyco International Ltd. Company

DESIGNED BY	AP/GGP	CHECKED BY	MK
DRAWN BY	WDB	APPROVED BY	D. TANIGUCHI
SCALE:	AS NOTED	RELEASED FOR CONSTRUCTION BY:	K. MARTENS
DATE	2005/09/13	DATE	05/12/02

ENGINEER'S SEAL
ORIGINAL SIGNED BY
M. KLASSON
2005/12/02
CONSULTANT DRAWING NO.
CS3.01

THE CITY OF WINNIPEG
WATER AND WASTE DEPARTMENT
ENGINEERING DIVISION
NEWPCC CENTRATE NUTRIENT TREATMENT
PHOSPHORUS REMOVAL FACILITY
CONTRACT No. 1
STRUCTURAL
RAILCAR SHELTER
STANDARD DETAILS
CITY FILE NUMBER
SHEET OF
CITY DRAWING NUMBER
1-010F-D-80002-001-00-D