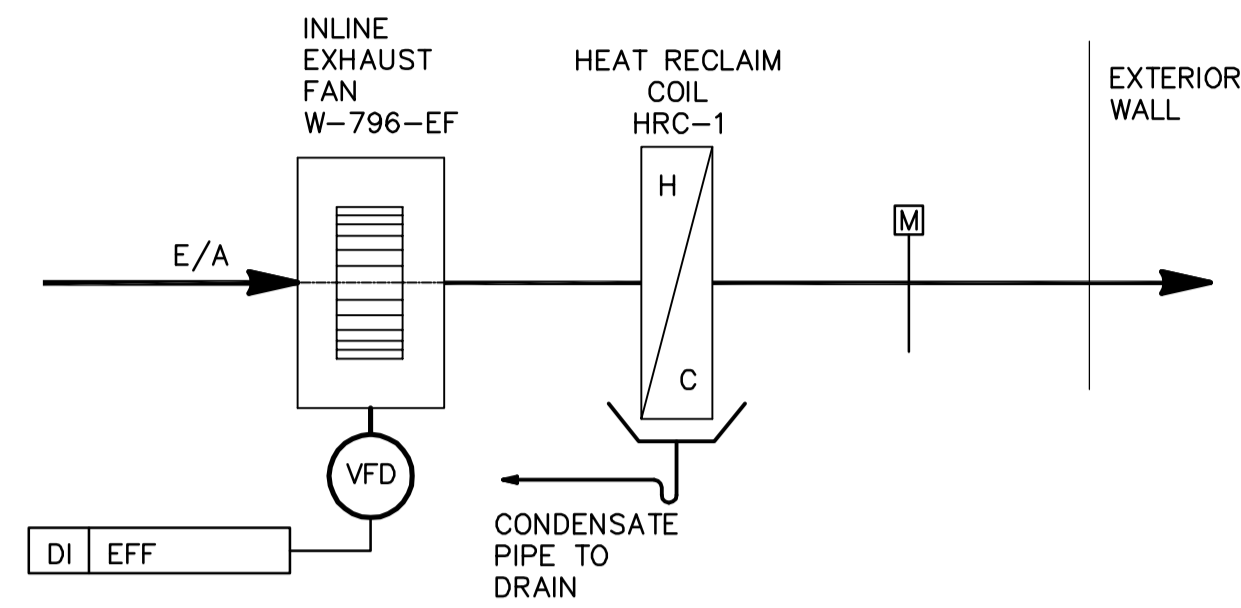
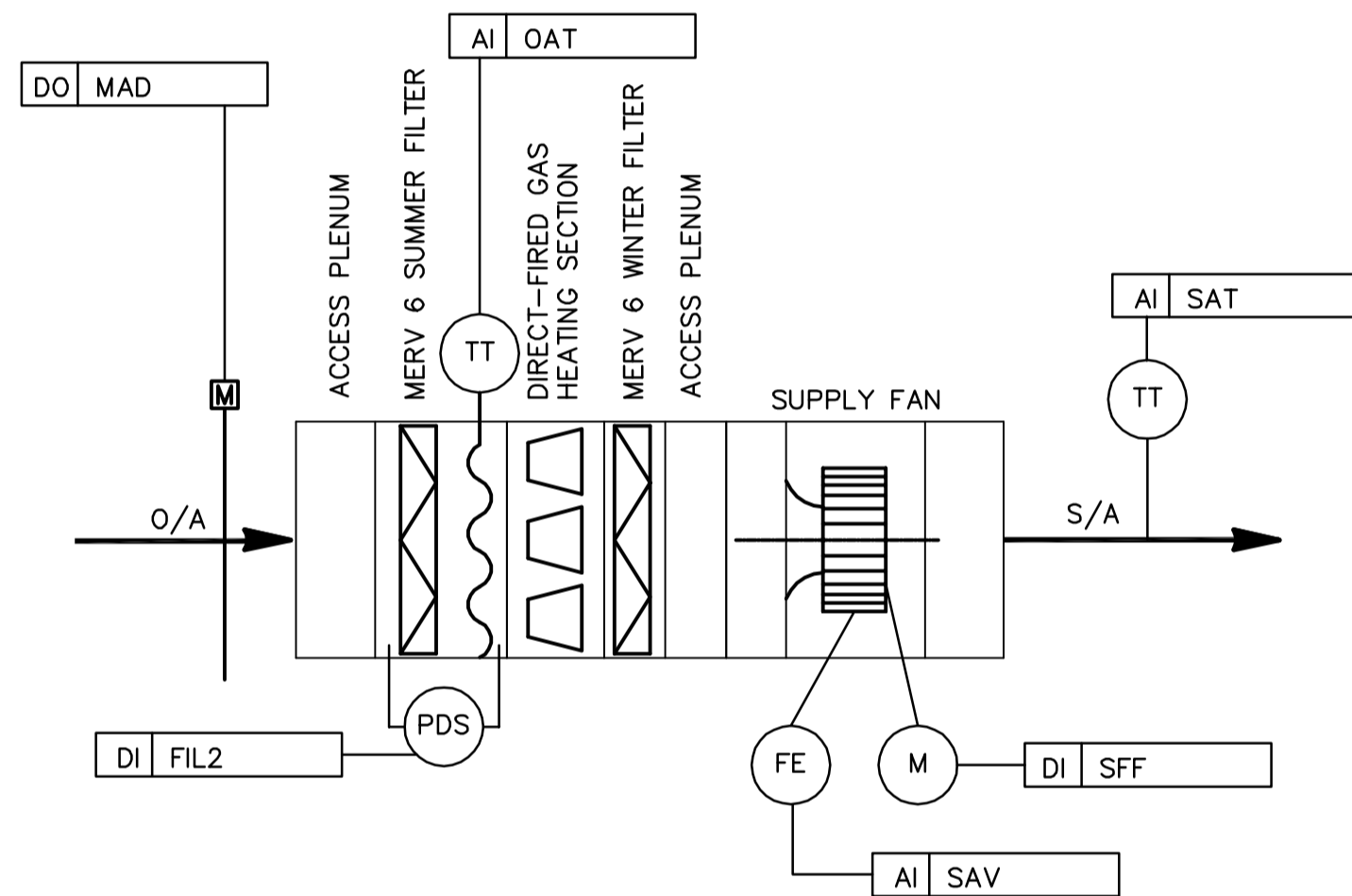


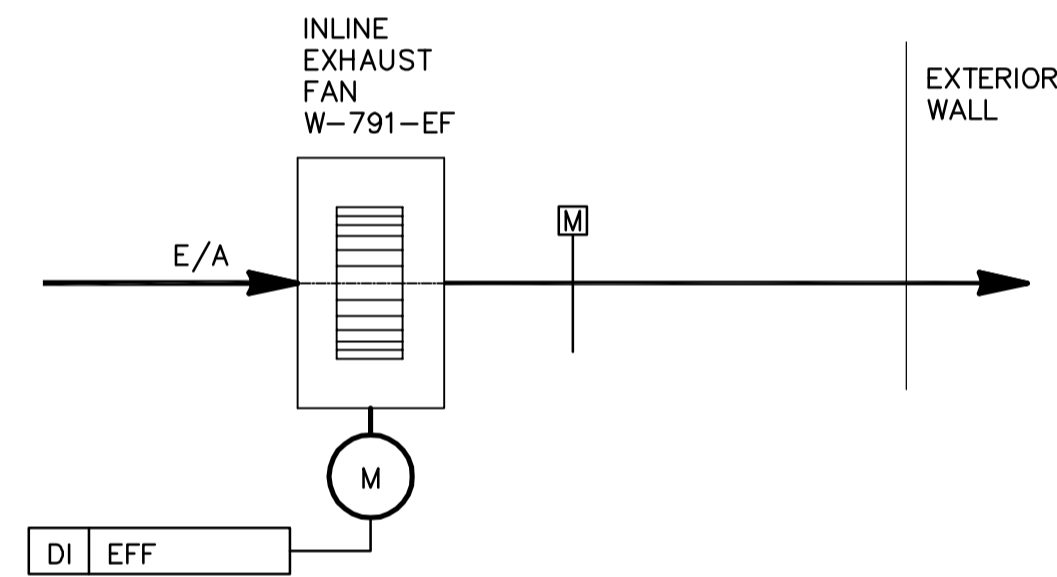
1 CHEMICAL STORAGE BUILDING MAKEUP AIR UNIT
CM2.03 SCALE NTS



2 CHEMICAL STORAGE BUILDING EXHAUST
CM2.03 SCALE NTS



3 RAIL CAR SHELTER MAKEUP AIR UNIT
CM1.02 SCALE NTS



4 RAIL CAR SHELTER EXHAUST
CM1.02 SCALE NTS



GENERAL NOTES

- COORDINATE WITH DIVISION 17 FOR REQUIRED INTERFACE TO PLANT DISTRIBUTED CONTROL SYSTEM (DCS). REFER TO G14.01.

NO.	REVISIONS	DATE	BY
00	ISSUED FOR TENDER	05/12/2	DC

 A Tyco International Ltd. Company			
DESIGNED BY	DC	CHECKED BY	AA
DRAWN BY	DC	APPROVED BY	D. TANIGUCHI
SCALE:	N.T.S.	RELEASED FOR CONSTRUCTION BY:	K. MARTENS
DATE	2005/09/21	DATE	05/12/02

ENGINEER'S SEAL
ORIGINAL SIGNED BY
P. TATARYN
2005/12/02
CONSULTANT DRAWING NO.
CM3.01

 THE CITY OF WINNIPEG WATER AND WASTE DEPARTMENT ENGINEERING DIVISION	
NEWPCC CENTRATE NUTRIENT TREATMENT PHOSPHORUS REMOVAL FACILITY CONTRACT No. 1	CITY FILE NUMBER
	SHEET OF
MECHANICAL HVAC SCHEMATICS	CITY DRAWING NUMBER
	1-00F-G-M001-01-00-D