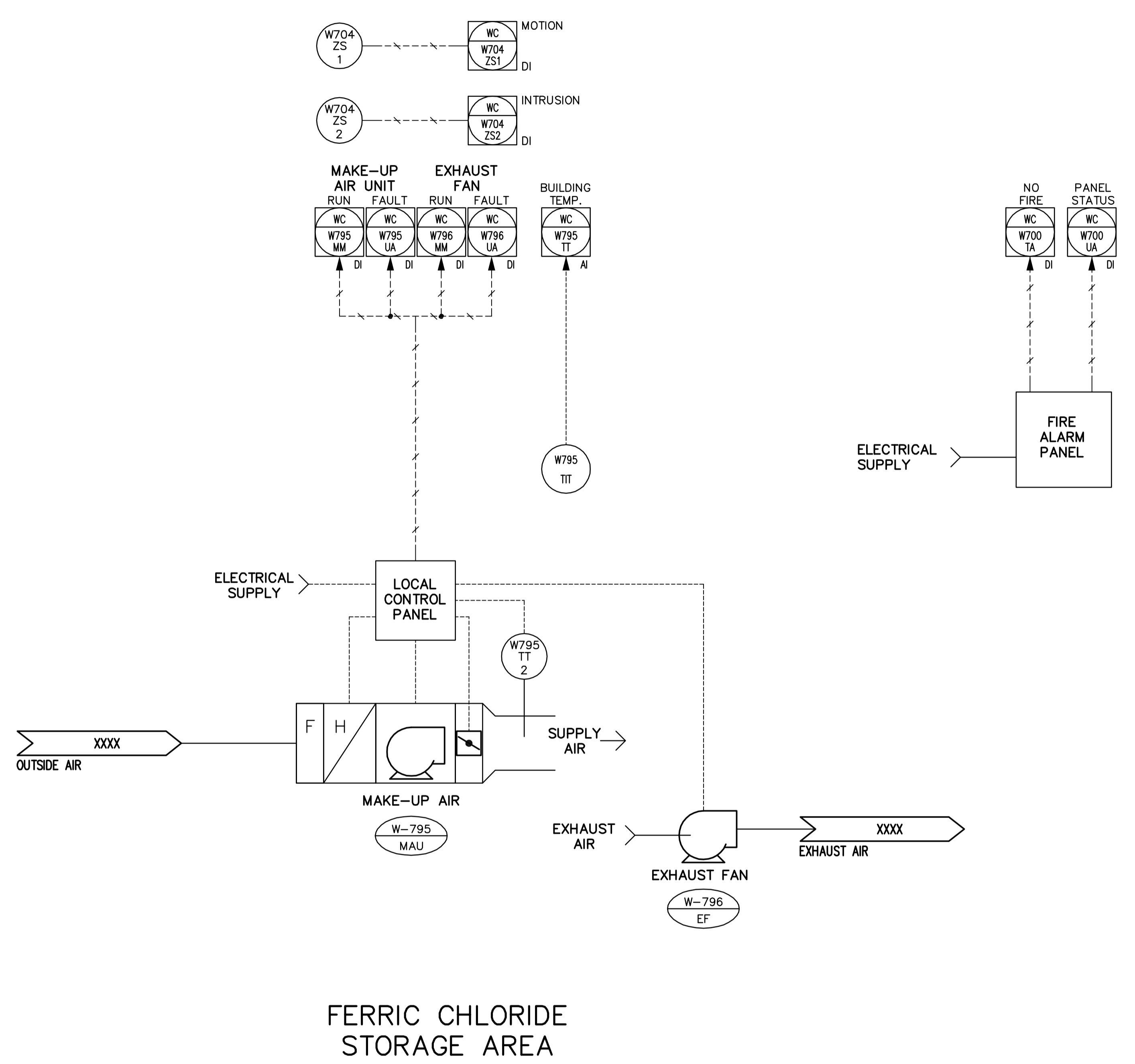


RAIL SHELTER BUILDING



FERRIC CHLORIDE STORAGE AREA



B.M. ELEV.			
DESIGNED BY	SB/BL	CHECKED BY	SWT
DRAWN BY	JBC	APPROVED BY	D. TANIGUCHI
SCALE:	NONE	RELEASED FOR CONSTRUCTION BY:	K. MARTENS
NO.	ISSUED FOR TENDER	DATE	05/12/2
REVISIONS		DATE	2005/10/11

**EarthTech**  
A Tyco International Ltd. Company

ENGINEER'S SEAL  
ORIGINAL SIGNED BY  
S.W. TORMEY  
2005/12/02

CONSULTANT DRAWING NO.  
CI4.01

**THE CITY OF WINNIPEG**  
WATER AND WASTE DEPARTMENT  
ENGINEERING DIVISION

NEWPCC CENTRATE NUTRIENT TREATMENT  
PHOSPHORUS REMOVAL FACILITY  
CONTRACT No. 1

CITY FILE NUMBER  
SHEET OF

CITY DRAWING NUMBER  
1-010F-H-A0004-001-00-D

INSTRUMENTATION  
HVAC  
PROCESS AND INSTRUMENTATION DIAGRAM