

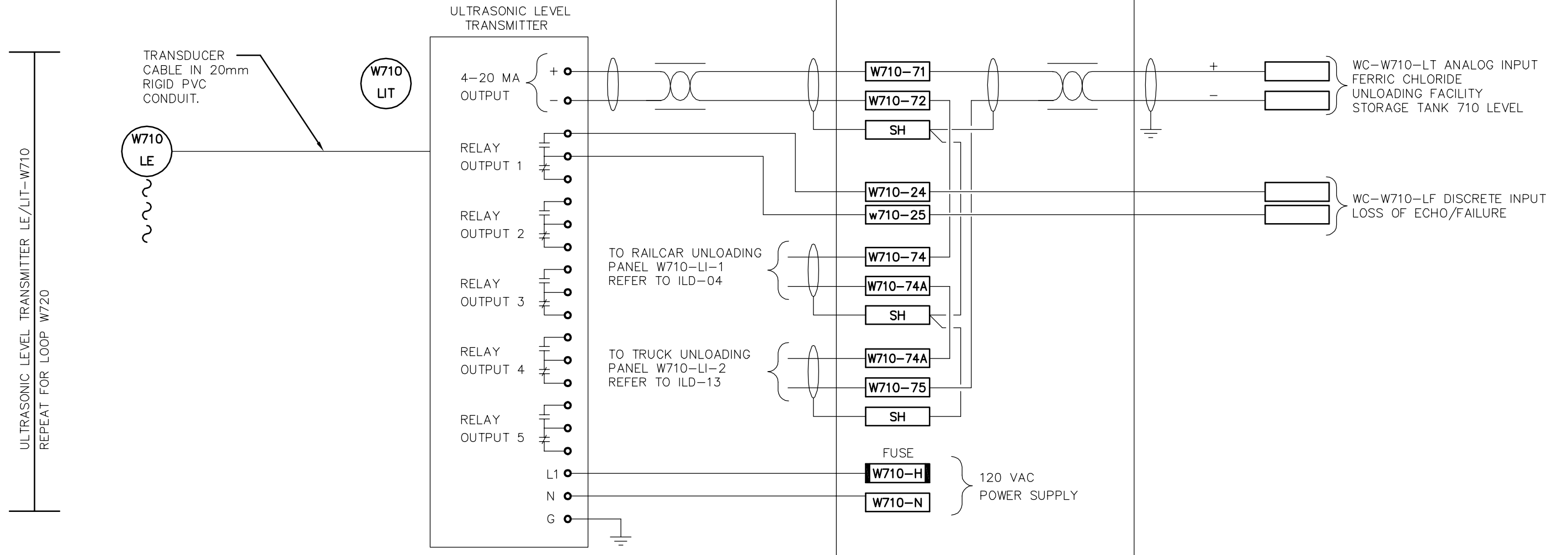
INSTRUMENT LOOP DIAGRAM

LOOP NO. W710

PROCESS AREA

SYSTEM MARSHALLING PANEL

DCS-PCU 26



NOTE:



Earth Tech (Canada) Inc. Winnipeg, Manitoba 204.477.5361



THE CITY OF WINNIPEG  
WATER AND WASTE DEPARTMENT

NEWPCC - CENTRATE NUTRIENT TREATMENT  
PHOSPHORUS REMOVAL FACILITY

SCALE AS NOTED

DATE 05 10 17

DES \_\_\_\_\_ DWN \_\_\_\_\_

CKD \_\_\_\_\_ APP \_\_\_\_\_

DATE	REVISION	APP.

INSTRUMENT LOOP DIAGRAM  
ULTRASONIC LEVEL TRANSMITTER

DRAWING NO.

ILD-02