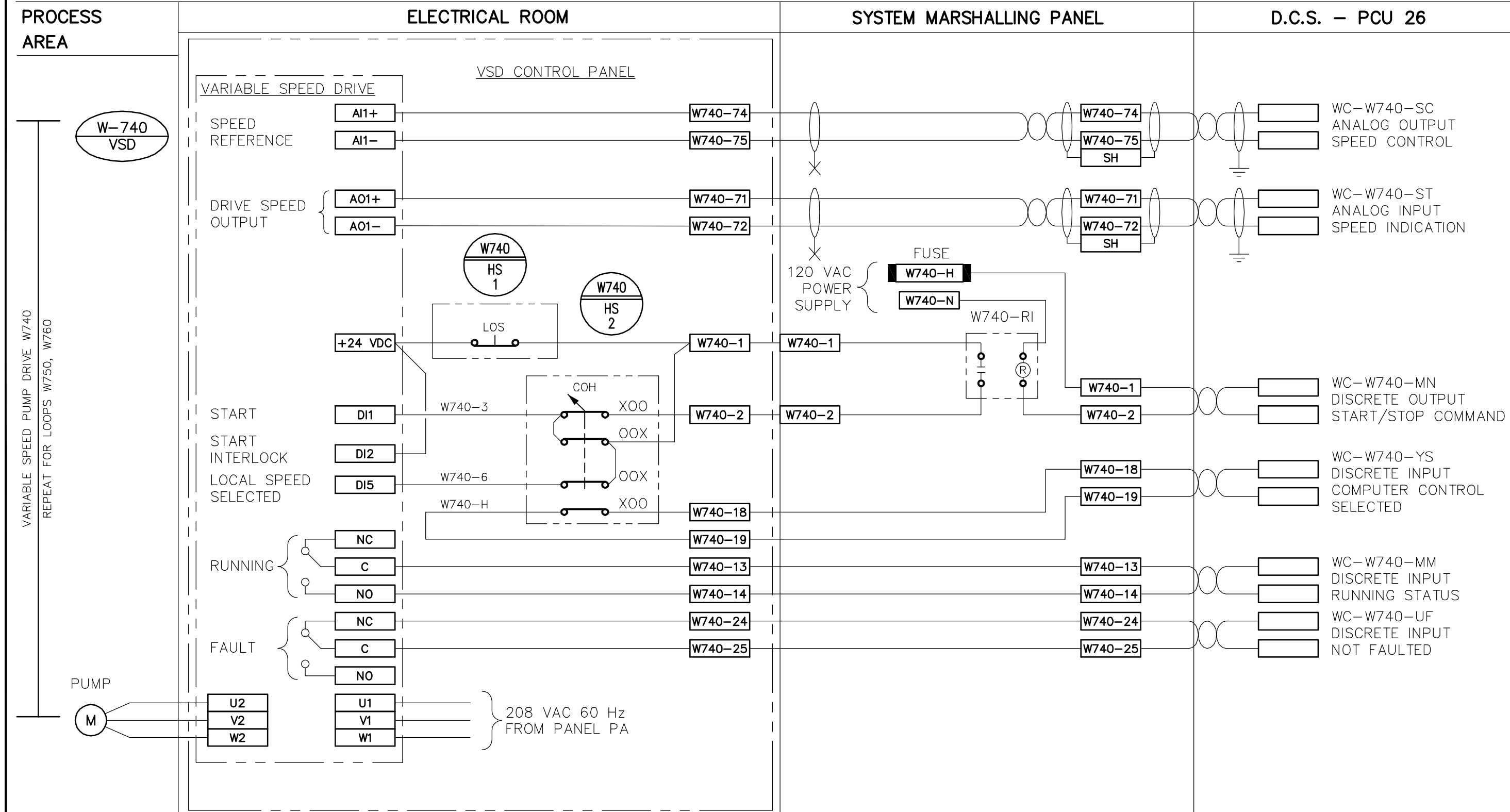


INSTRUMENT LOOP DIAGRAM

LOOP NO. W740



NOTE:



Earth Tech (Canada) Inc. Winnipeg, Manitoba 204.477.5361



**THE CITY OF WINNIPEG**  
**WATER AND WASTE DEPARTMENT**  
 NEWPCC - CENTRATE NUTRIENT TREATMENT  
 PHOSPHORUS REMOVAL FACILITY

SCALE AS NOTED  
 DATE 05 10 17  
 DES \_\_\_\_\_ DWN \_\_\_\_\_  
 CKD \_\_\_\_\_ APP \_\_\_\_\_

INSTRUMENT LOOP DIAGRAM  
 TYPICAL VARIABLE SPEED PUMP DRIVE

DRAWING NO.  
 ILD-03

DATE	REVISION	APP.