

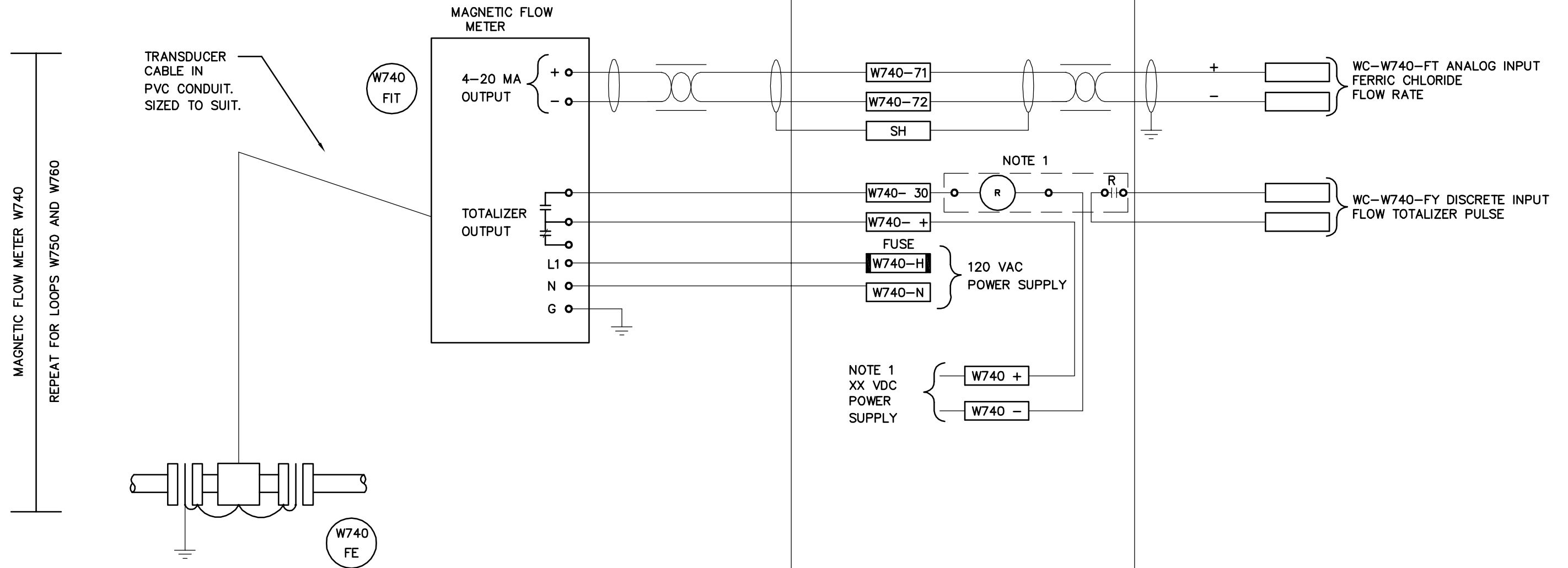
INSTRUMENT LOOP DIAGRAM

LOOP NO. W740

PROCESS AREA

SYSTEM MARSHALLING PANEL

DCS-PCU 26



NOTE:

PROVIDE INTERPOSING RELAY AND RELATED POWER SUPPLY SUITABLE FOR USE WITH FLOWMETER TOTALIZER OUTPUT

**EarthTech**

Earth Tech (Canada) Inc. Winnipeg, Manitoba 204.477.5381



**THE CITY OF WINNIPEG**

**WATER AND WASTE DEPARTMENT**

NEWPCC - CENTRATE NUTRIENT TREATMENT PHOSPHORUS REMOVAL FACILITY

SCALE AS NOTED

DATE 05 10 27

DES \_\_\_\_\_ DWN \_\_\_\_\_

CKD \_\_\_\_\_ APP \_\_\_\_\_

INSTRUMENT LOOP DIAGRAM  
TYPICAL MAGNETIC FLOW METER

DRAWING NO.

ILD-14

| DATE | REVISION | APP. |
|------|----------|------|
|      |          |      |
|      |          |      |
|      |          |      |