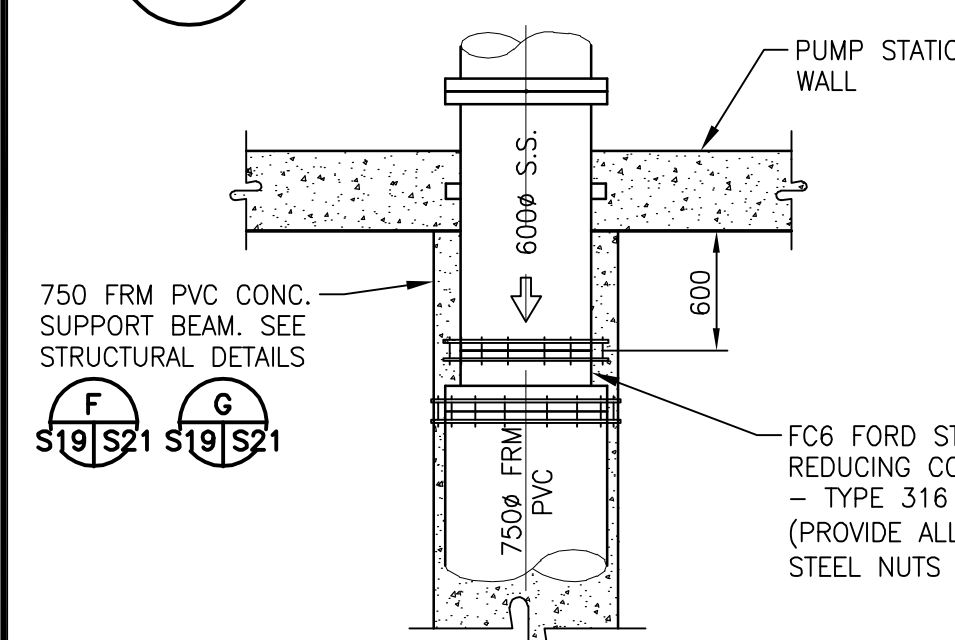


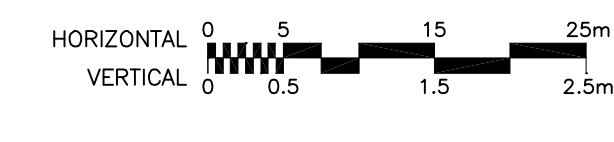
**1**  
U23  
N.T.S.  
**750 LDS CONNECTION TO PUMP STATION**



**2**  
U23  
N.T.S.  
**750 FRM CONNECTION TO PUMP STATION**

- NOTES:**
- REFER TO DRAWING P-3258-147 FOR PUMPING STATION SITE SERVICES.
  - INSTALLATION OF FORCEMAIN AND 375 LAND DRAINAGE SEWER TO BE COMPLETED AFTER FEEDERMAIN INSTALLATIONS.
  - CONTRACTOR TO USE MECHANICAL RESTRAINTS AND THRUST BLOCKS AT ALL 750 FRM BENDS. MECHANICAL RESTRAINTS SHALL BE USED ON FRM PIPE JOINTS WITHIN 2.4m OF BENDS.
  - CONTACT THE WATER AND WASTE DEPARTMENT, CONSTRUCTION SERVICES COORDINATOR AT 986-3823 A MINIMUM OF SEVEN DAYS PRIOR TO CROSSING OR WORKING ADJACENT TO AQUEDUCTS AND FEEDERMAINS TO ARRANGE FOR INSPECTION.
  - EXPOSE AQUEDUCT OR FEEDERMAIN BY HYDRO-VAC METHODS TO CONFIRM DEPTH OF PIPE. CONTACT THE WATER AND WASTE DEPARTMENT, CONSTRUCTION SERVICES COORDINATOR AT 986-3823 A MINIMUM OF SEVEN DAYS PRIOR TO EXPOSING PIPE TO ARRANGE FOR INSPECTION.

BENCH MARK: BOLT IN 12.5m CONC. PILE, 2.4m N. OF S.L. OF WILKES AVE. (FENCE LINE), & 7m E. OF E. FACE OF 2nd TOWER W. OF THE MOST ELY. SET OF TRACKS OF C.P.R. LA RIVIERE SUBD.



**METRIC**  
WHOLE NUMBERS INDICATE MILLIMETRES  
DECIMALIZED NUMBERS INDICATE METRES

**WARNING**

IF POWER EQUIPMENT OR EXPLOSIVES ARE TO BE USED FOR EXCAVATION ON THIS PROJECT THE CONTRACTOR MUST:

- NOTIFY THE GAS COMPANY OF THE PROPOSED LOCATION OF EXCAVATION.
- TAKE PRECAUTION TO AVOID DAMAGE TO GAS COMPANY INSTALLATIONS.

SEE PROVINCIAL REGULATION 140/92 FOR DETAILS

**APEGM**  
Certificate of Authorization  
Stantec Consulting Ltd.  
No. 1301 Expiry: April 30, 2006

EXISTING		NEW		EXISTING		NEW		EXISTING		NEW	
LEGEND - PLAN		LEGEND - PLAN		LEGEND - PLAN		LEGEND - PLAN		LEGEND - PLAN		LEGEND - PLAN	
	GAS		MANHOLE		HYDRANT		LOCATION APPROVED UNDERGROUND STRUCTURES		MTS		WATERMAIN VALVE
	HYDRO		CATCH BASIN/CATCH PIT		GAS LINE MARKER		LIGHT STANDARD		TREE		GUY WIRE
	VIDEON		TEST HOLE		TRAFFIC SIGNAL		SIGN		SIGNAL PIT		HYDRO MARKER
	TRAFFIC SIGNALS		PROPERTY LINE		SURVEY BAR		BACK OF CURB		BOLLARD		DITCH
	LAND DRAINAGE SEWER		GEODETIC MONUMENT		FENCE		ELEVATION				
	SANITARY SEWER/FORCEMAIN		WATERMAIN								
	CATCHBASIN LEAD		SUBDRAIN								
	FEEDERMAIN		FEEDERMAIN ELEVATION								

B.M. ELEV.	66-001	233.425m
DESIGNED BY	JKH	
CHECKED BY	SAB	
DRAWN BY	TAG	
APPROVED BY	AJR	
BY	DATE	
2	REVISED 375 LDS AND NOTES	12.01.02
1	ISSUED FOR TENDER	05.12.09
0	ISSUED FOR CLIENT REVIEW	05.11.24
NO.	REVISIONS	DATE

**Stantec Consulting Ltd.**  
905 Waverley Street, Winnipeg, Manitoba  
Tel 204-489-5900 Fax 204-453-9012

DESIGNED BY: JKH  
CHECKED BY: SAB  
DRAWN BY: TAG  
APPROVED BY: AJR

HOR. SCALE: 1:500  
VERTICAL: 1:50

AUTHORIZED BY: R. FINGAS  
R. FINGAS, P. ENG.  
BRIDGE PROJECTS ENGINEER

ENGINEER'S SEAL	ORIGINAL SEALED BY A.J. RAPOSO P. ENG. 05.12.09
CONSULTANT DRAWING NO.	I13703042-U23

**THE CITY OF WINNIPEG**  
PUBLIC WORKS DEPARTMENT  
ENGINEERING DIVISION

**Kenaston Underpass**  
Kenaston Underpass Pumping Station

FORCEMAIN AND LAND DRAINAGE SEWER  
STA. 1+250 TO PUMPING STATION

SHEET 3 OF 25  
CAD FILE DRAWING NUMBER I13703042-U23.dwg  
CITY DRAWING NUMBER 05699