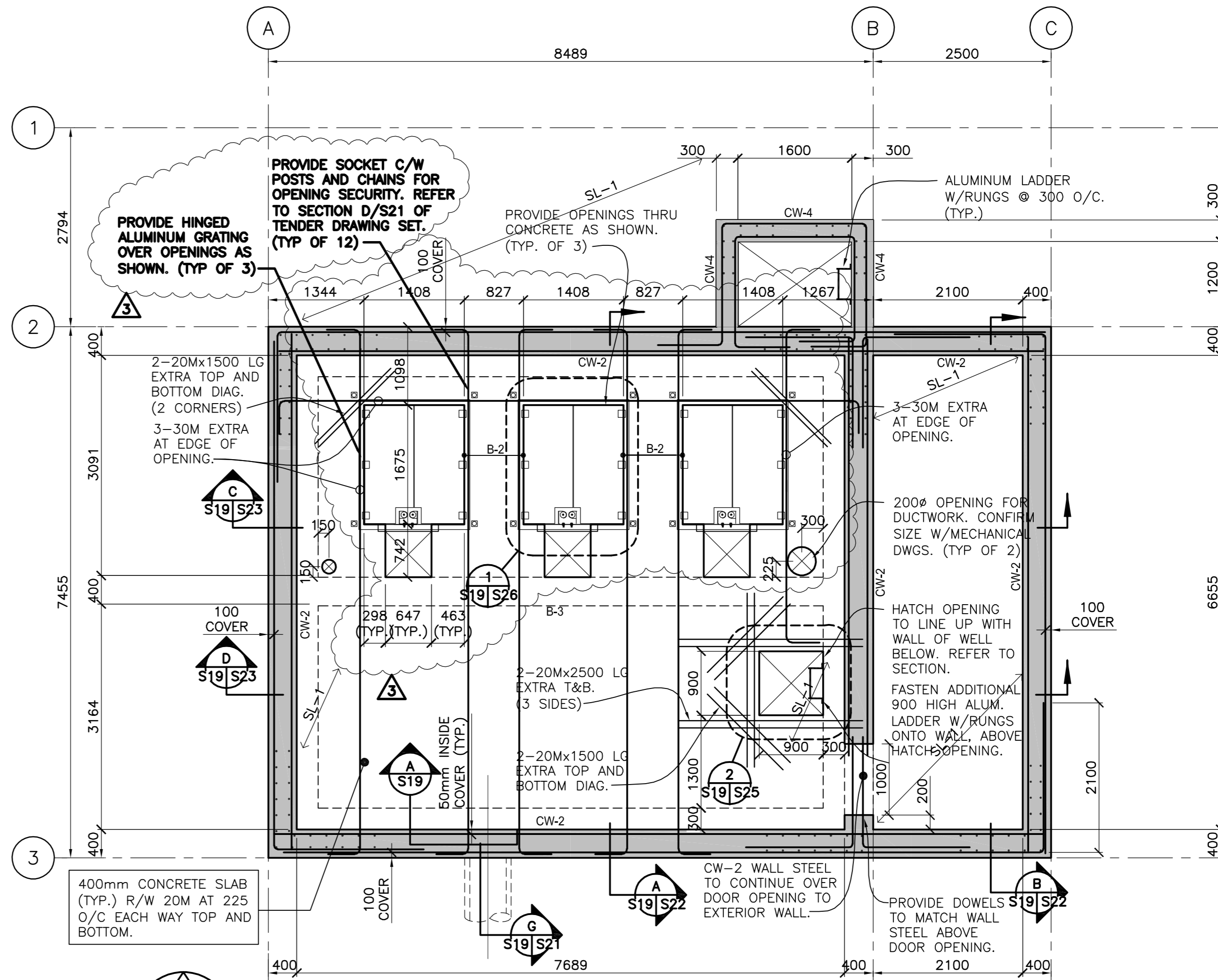
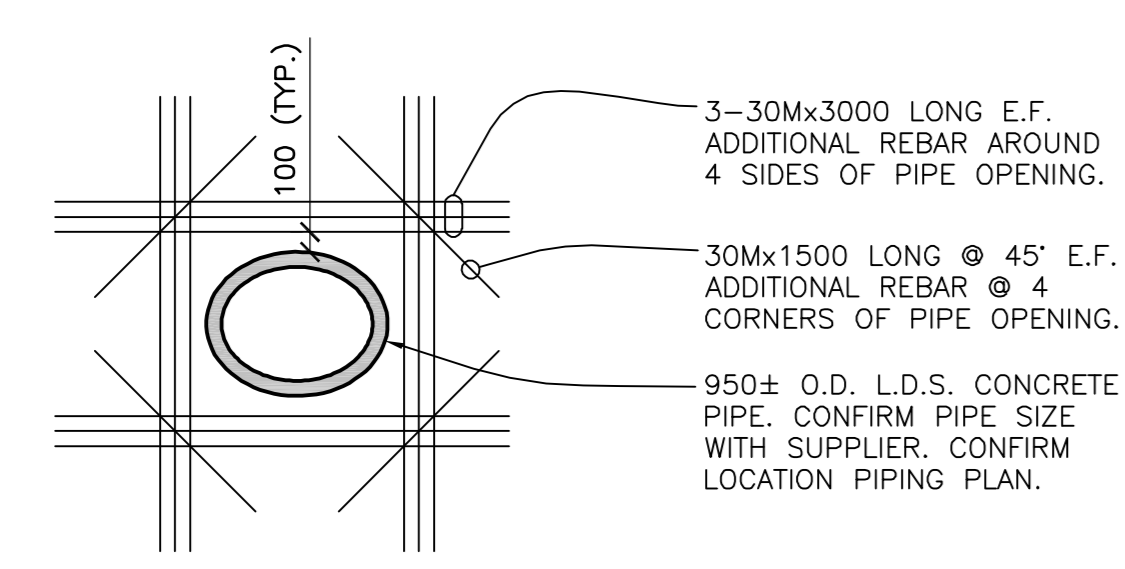


FOUNDATION PLAN
1:50
T/O BASE SLAB ELEV. = 222.31

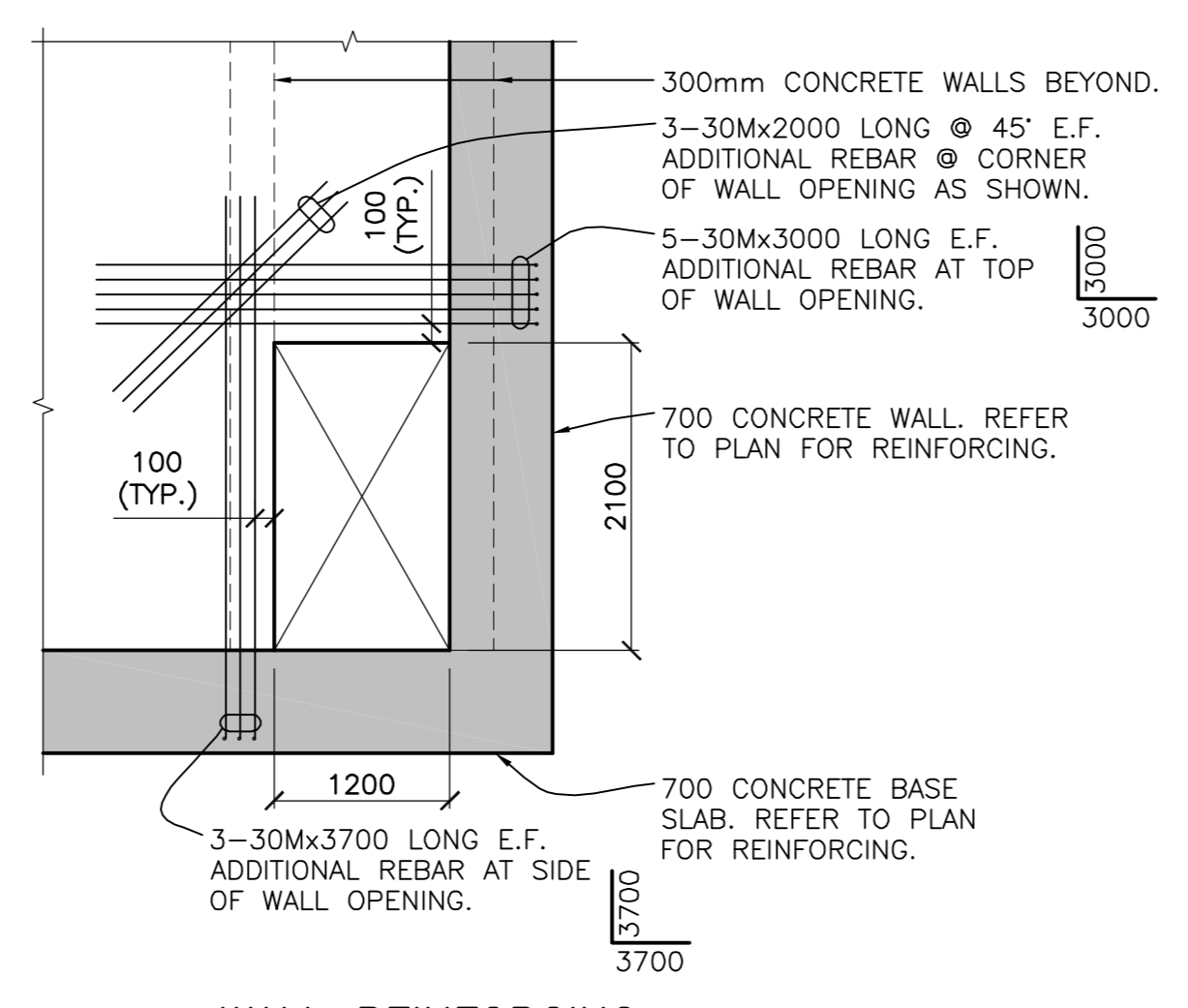
NOTE: CONTRACTOR TO COORDINATE PUMP BASE INSTALLATION WITH CONCRETE BASE SLAB. SUBMIT CONNECTION DETAILS TO CONTRACT ADMINISTRATOR PRIOR TO INSTALLATION.



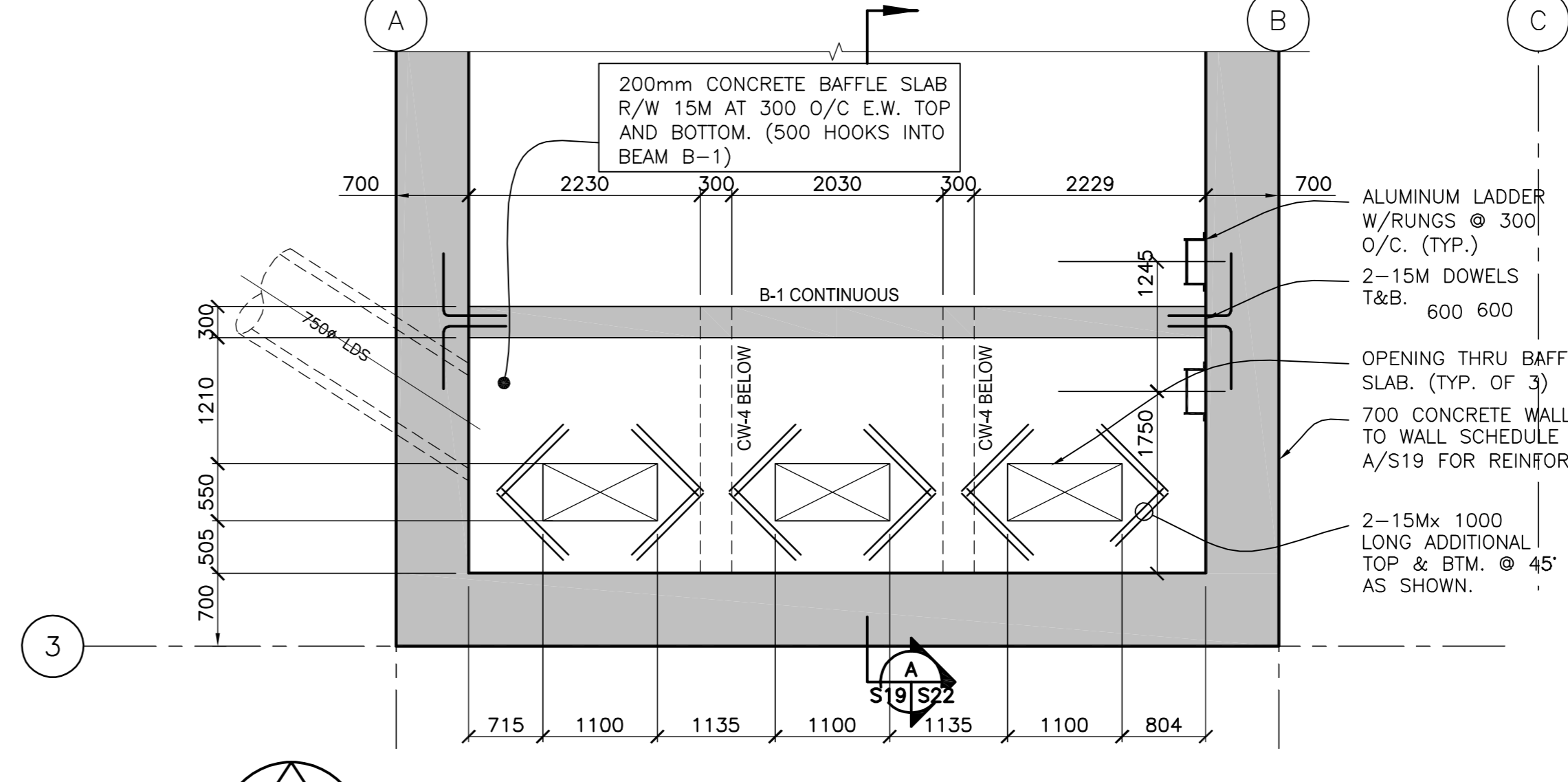
MECHANICAL FLOOR FRAMING PLAN
1:50
T/O MECHANICAL FLOOR ELEV. = 229.735
DESIGN LIVE LOAD = 12 kPa



WALL REINFORCING AT AT L.D.S. PIPE AND FORCE MAIN
A S19 1:50



WALL REINFORCING AT ACCESS SHAFT OPENING
B S19 1:50



BAFFLE FLOOR FRAMING PLAN
1:50
T/O BAFFLE FLOOR ELEV. = 223.60

CONCRETE WALL SCHEDULE				
MARK	THICKNESS	VERT. CONT. REINFORCING	HORIZ. CONT. REINFORCING	REMARKS
CW1	700	30M @ 225 E.F.	30M @ 225 E.F.	PROVIDE HOOKS AS SHOWN ON PLAN.
CW2	400	25M @ 225 E.F.	25M @ 225 E.F.	PROVIDE HOOKS AS SHOWN ON PLAN.
CW3	300	15M @ 225 E.F.	25M @ 225 E.F.	PROVIDE STANDARD HOOKS EACH END.
CW4	300	15M @ 225 E.F.	20M @ 225 E.F.	PROVIDE STANDARD HOOKS EACH END.
CW5	300	15M @ 225 E.F.	15M @ 225 E.F.	-

CONCRETE BEAM SCHEDULE						
MARK	SIZE	TOP CONT. REINFORCING	BOTTOM CONT. REINFORCING	10M STIRRUPS	ADDITIONAL REBAR	REMARKS
B1	300x800	2-25M	2-25M	300 O/C	1-10M HORIZ. MID POINT E.F.	
B2	535x400 (WITHIN SLAB)	2-30M 400 HOOK E.E.	2-30M 450 HOOK E.E.	225 O/C		30M BARS & TIES EXTEND FROM GRIDLINE 2 TO 3
B3	400x1200	3-30M 400 HOOK E.E.	3-30M 450 HOOK E.E.	450 O/C	2-10M HORIZ. E.F.	HOOK BARS INTO WALLS EACH END

REVISION NUMBER	
3	

LOCATION APPROVED UNDERGROUND STRUCTURES

DATE: 05.09.13

NOTE: LOCATION OF UNDERGROUND STRUCTURES AS SHOWN ARE BASED ON THE BEST INFORMATION AVAILABLE BUT NO GUARANTEE IS GIVEN THAT ALL EXISTING UTILITIES ARE SHOWN OR THAT THE GIVEN LOCATIONS ARE EXACT. CONFIRMATION OF EXISTENCE AND EXACT LOCATION OF ALL SERVICES MUST BE OBTAINED FROM THE INDIVIDUAL UTILITIES BEFORE PROCEEDING WITH CONSTRUCTION.

NO.	REVISIONS	DATE	BY
3	GRATING FOR MECH FLOOR	06.01.06	K.W.C.
2	ISSUED FOR TENDER	05.12.09	K.W.C.
1	ISSUED FOR CLIENT REVIEW	05.11.24	K.W.C.
0	ISSUED FOR CLIENT REVIEW	05.10.14	K.W.C.

Stantec Consulting Ltd.
905 Waverley Street, Winnipeg, Manitoba
Tel 204-489-5900 Fax 204-453-9012

DESIGNED BY: P.W. CHECKED BY: K.W.C.
DRAWN BY: V.J.F. APPROVED BY: W.S.

HOR. SCALE: AS SHOWN VERTICAL: R. FINGAS, P. ENG. 05.12.09
BRIDGE PROJECTS ENGINEER

ENGINEER'S SEAL
ORIGINAL SEALED BY K.W. CHARLESON P. ENG. 05.12.09
CONSULTANT DRAWING NO. I13703042-S19

THE CITY OF WINNIPEG PUBLIC WORKS DEPARTMENT
Winnipeg ENGINEERING DIVISION

KENASTON UNDERPASS
KENASTON UNDERPASS PUMPING STATION

STRUCTURAL - FOUNDATION PLAN, MECHANICAL & BAFFLE FLOOR FRAMING PLANS

SHEET 4 OF 25
CAD FILE DRAWING NUMBER 113703042-S19.dwg
CITY DRAWING NUMBER P-3258-148

METRIC
WHOLE NUMBERS INDICATE MILLIMETRES
DECIMALIZED NUMBERS INDICATE METRES

APEGM
Certificate of Authorization
Stantec Consulting Ltd.
No. 1301 Expiry: April 30, 2006