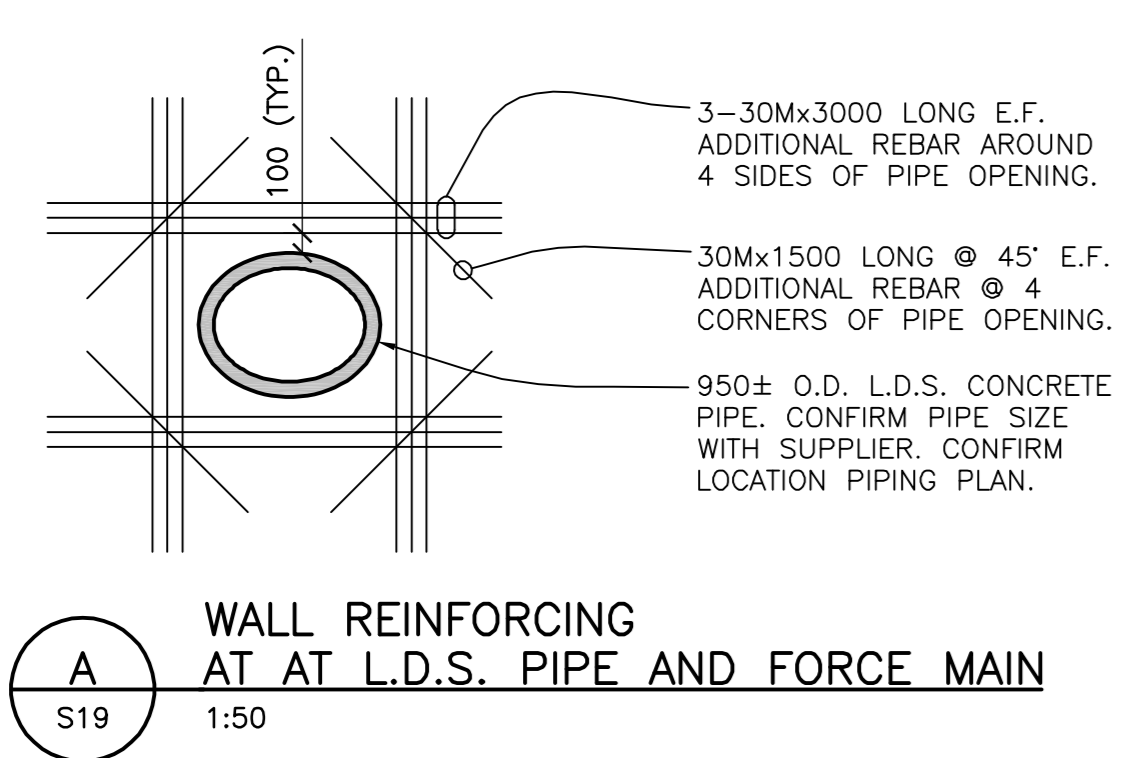
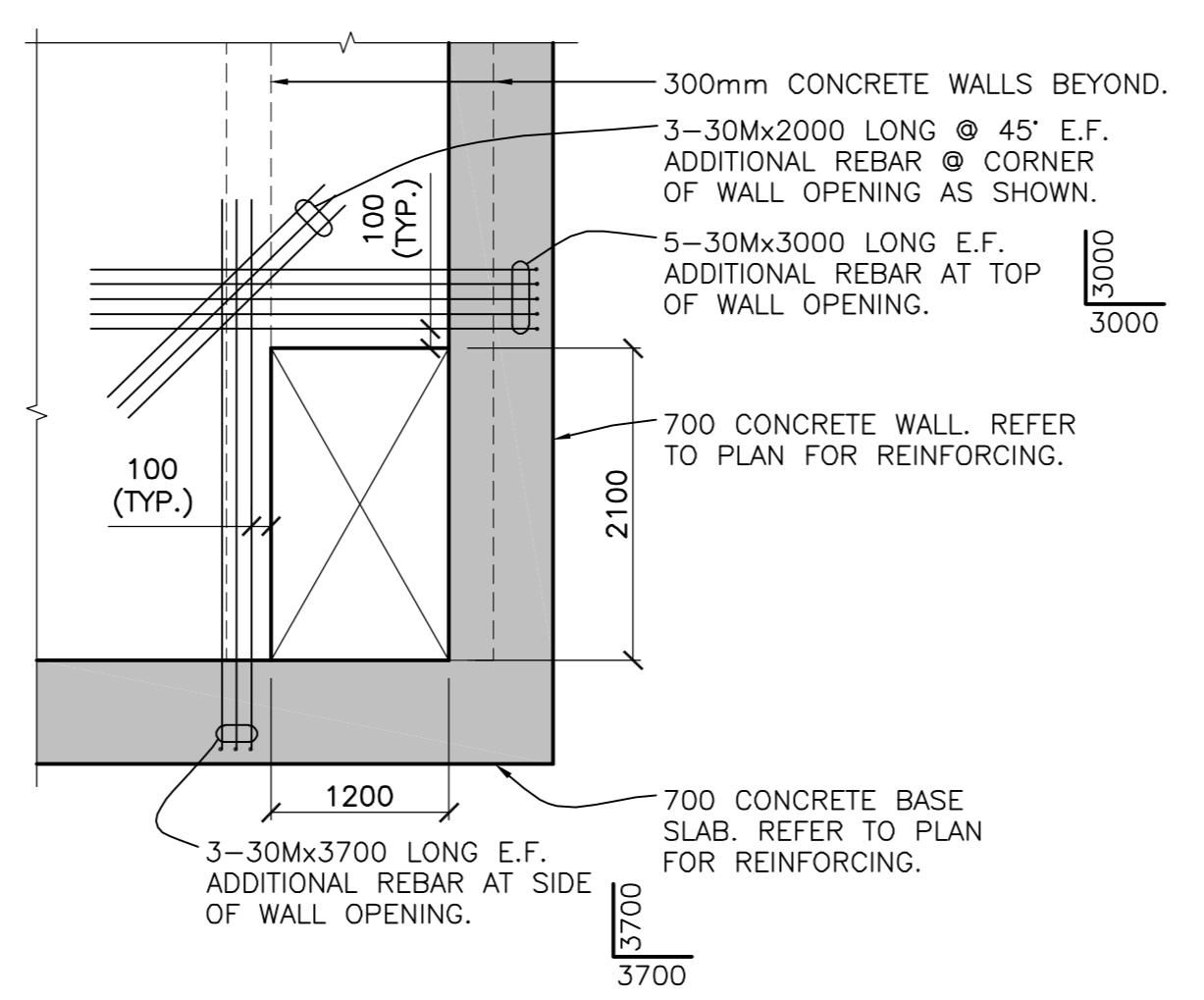


FOUNDATION PLAN
1:50
T/O BASE SLAB ELEV. = 222.31

NOTE: CONTRACTOR TO COORDINATE PUMP BASE INSTALLATION WITH CONCRETE BASE SLAB. SUBMIT CONNECTION DETAILS TO CONTRACT ADMINISTRATOR PRIOR TO INSTALLATION.



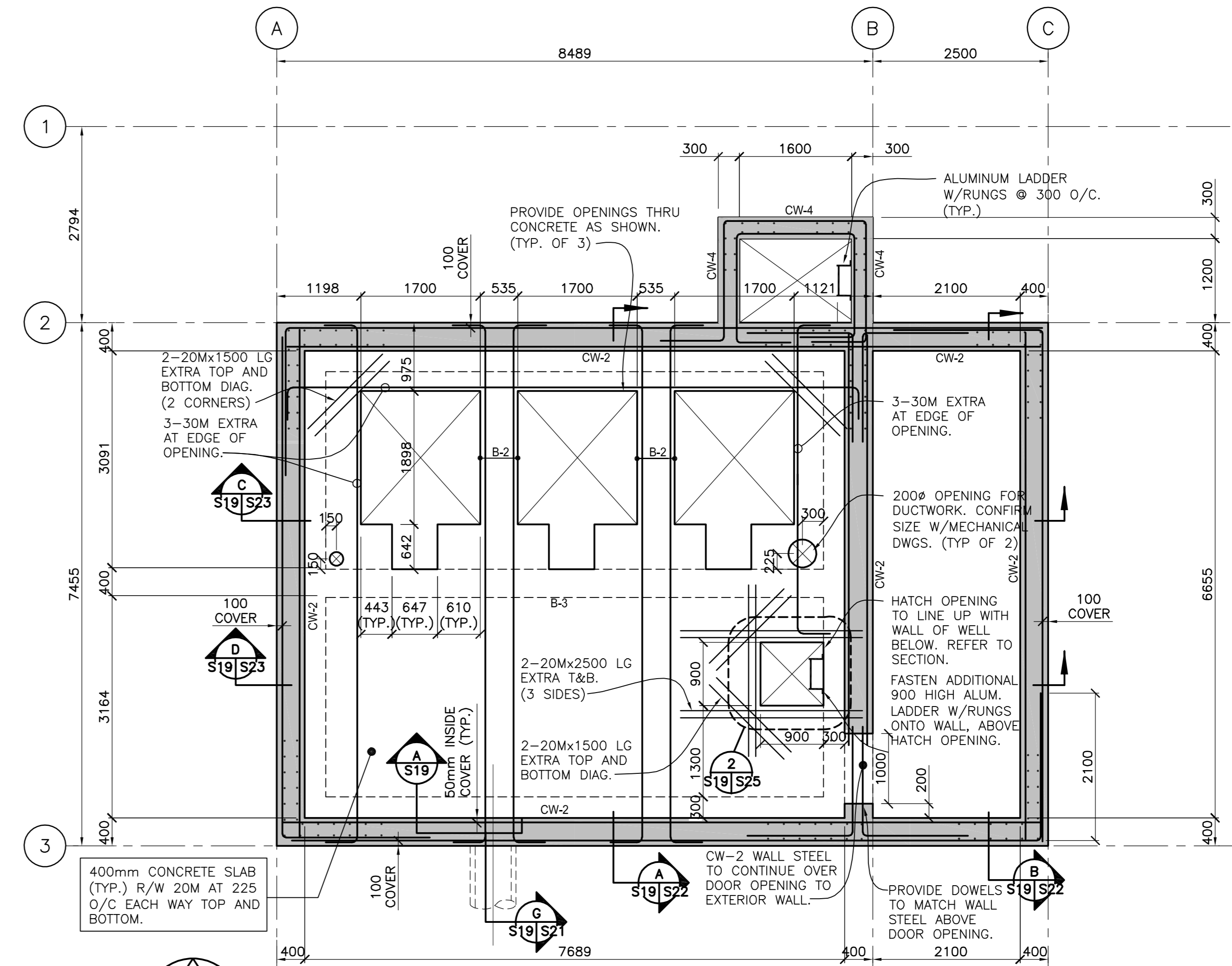
WALL REINFORCING AT AT L.D.S. PIPE AND FORCE MAIN
1:50



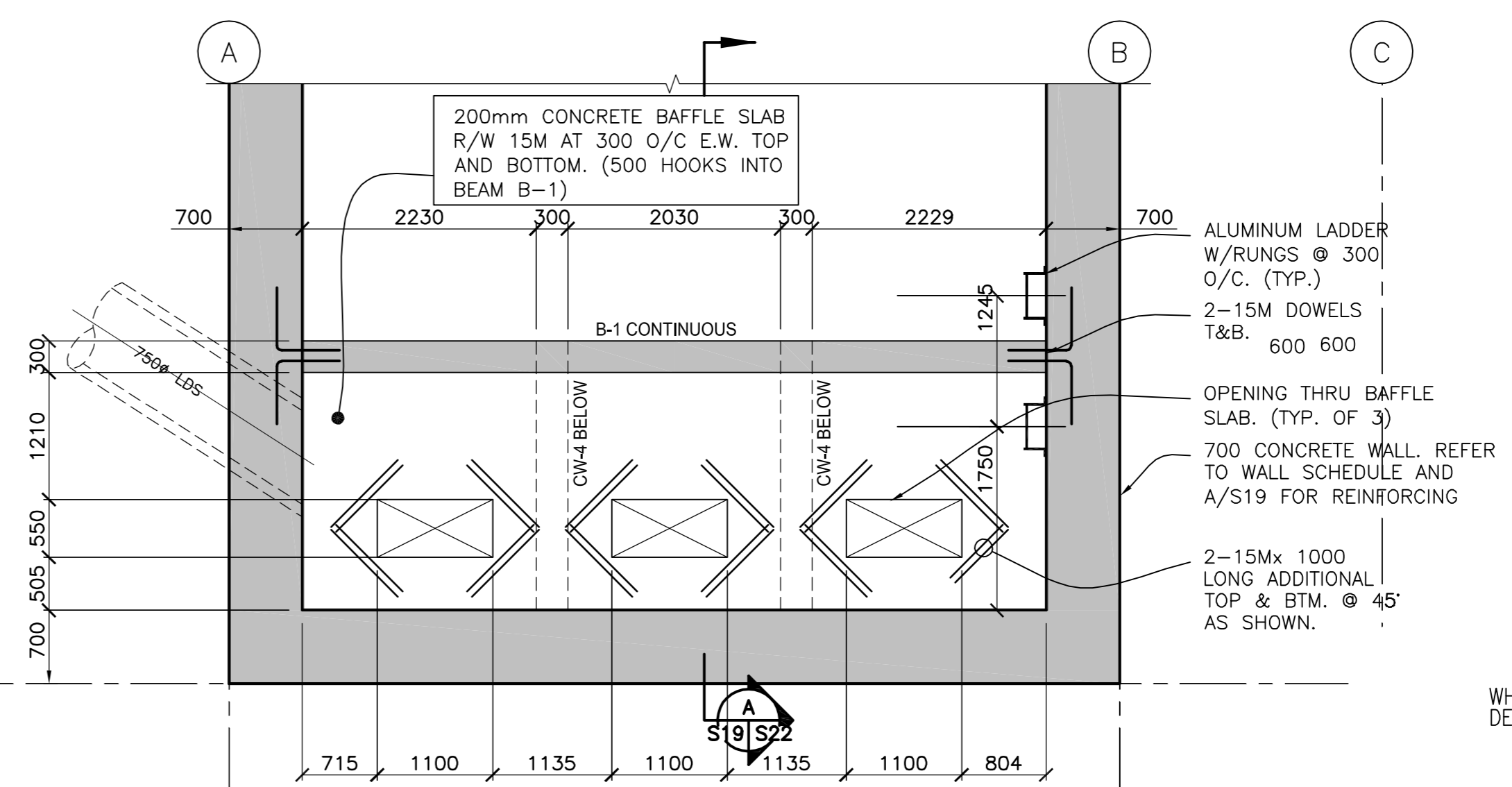
WALL REINFORCING AT ACCESS SHAFT OPENING
1:50

MARK	THICKNESS	VERT. CONT. REINFORCING	HORIZ. CONT. REINFORCING	REMARKS
CW1	700	30M @ 225 E.F.	30M @ 225 E.F.	PROVIDE HOOKS AS SHOWN ON PLAN.
CW2	400	25M @ 225 E.F.	25M @ 225 E.F.	PROVIDE HOOKS AS SHOWN ON PLAN.
CW3	300	15M @ 225 E.F.	25M @ 225 E.F.	PROVIDE STANDARD HOOKS EACH END.
CW4	300	15M @ 225 E.F.	20M @ 225 E.F.	PROVIDE STANDARD HOOKS EACH END.
CW5	300	15M @ 225 E.F.	15M @ 225 E.F.	-

MARK	SIZE	TOP CONT. REINFORCING	BOTTOM CONT. REINFORCING	10M STIRRUPS	ADDITIONAL REBAR	REMARKS
B1	300x800	2-25M	2-25M	300 O/C	1-10M HORIZ. MID POINT E.F.	
B2	535x400 (WITHIN SLAB)	2-30M 400 HOOK E.E.	2-30M 450 HOOK E.E.	225 O/C		30M BARS & TIES EXTEND FROM GRIDLINE 2 TO 3
B3	400x1200	3-30M 400 HOOK E.E.	3-30M 450 HOOK E.E.	450 O/C	2-10M HORIZ. E.F.	HOOK BARS INTO WALLS EACH END



MECHANICAL FLOOR FRAMING PLAN
1:50
T/O MECHANICAL FLOOR ELEV. = 229.735
DESIGN LIVE LOAD = 12 kPa



BAFFLE FLOOR FRAMING PLAN
1:50
T/O BAFFLE FLOOR ELEV. = 223.60

METRIC
WHOLE NUMBERS INDICATE MILLIMETRES
DECIMALIZED NUMBERS INDICATE METRES

APECM
Certificate of Authorization
Stantec Consulting Ltd.
No. 1301 Expiry: April 30, 2006

LOCATION APPROVED UNDERGROUND STRUCTURES SUPPLY U/G STRUCTURES DATE COMMITTEE	B.M. ELEV.	Stantec Consulting Ltd. 905 Waverley Street, Winnipeg, Manitoba Tel 204-489-5900 Fax 204-453-9012	ENGINEER'S SEAL ORIGINAL SEALED BY K.W. CHARLESON P. ENG. 05.12.09	THE CITY OF WINNIPEG PUBLIC WORKS DEPARTMENT ENGINEERING DIVISION	SHEET OF 4 25 CAD FILE DRAWING NUMBER 113703042-S19.dwg
NOTE: LOCATION OF UNDERGROUND STRUCTURES AS SHOWN ARE BASED ON THE BEST INFORMATION AVAILABLE BUT NO GUARANTEE IS GIVEN THAT ALL EXISTING UTILITIES ARE SHOWN OR THAT THE GIVEN LOCATIONS ARE EXACT. CONFIRMATION OF EXISTENCE AND EXACT LOCATION OF ALL SERVICES MUST BE OBTAINED FROM THE INDIVIDUAL UTILITIES BEFORE PROCEEDING WITH CONSTRUCTION.		HOR. SCALE: AS SHOWN VERTICAL:	KENASTON UNDERPASS KENASTON UNDERPASS PUMPING STATION STRUCTURAL - FOUNDATION PLAN, MECHANICAL & BAFFLE FLOOR FRAMING PLANS		